



GEZE ACTUATION DEVICES AND SENSOR SYSTEMS
PERFECTLY CONTROLLED AUTOMATIC DOOR DRIVES



TABLE OF CONTENTS

Introduction: GEZE actuation devices and sensors	4
Overview table for the application of actuation devices on automatic door systems	5
Activation	
GEZE radar movement detector GC 302	6
GEZE radar movement detector GC 304	9
GEZE active infrared sensor Air 12 Cleanscan	12
GEZE active infrared detector AIR 20-Var	14
GEZE wireless programme	16
GEZE SecuLogic electric strike IQ eStrike A5000--F	19
GEZE activation detector	21
Presence detectors	
GEZE safety photoelectric barrier GZ 470 V / GZ 472 V	23
GEZE sensor strip GC 338	25
GEZE sensor strip GC 335	28
GEZE ultrasonic sensor and control unit	30
GEZE active infrared light curtain GC 341	32
GEZE active infrared light curtain GC 339	36
GEZE active infrared light curtain GC 333 C	40
Combined detector	
GEZE combined detector GC 365	42
GEZE combined detector GC 363	46
Programme switch	
GEZE programme switch	50
GEZE key push button	52
GEZE safety switches and push buttons	54
Smoke switches and control units	
GEZE smoke switch control unit RSZ 6	56
Miscellaneous accessories	
	58
References	
	60

GEZE actuation devices and sensors

Activation of automatic drives

For the reliable operation of an automatic door, the choice of the appropriate actuation devices is of considerable importance. The product range of the GEZE actuation devices offers the optimum actuation device for every door situation.

The GEZE actuation devices control and safeguard all GEZE automatic solutions according to international standards. Supplied from a single source, they enable complete solutions to be designed to meet individual requirements.



City library, Mailänder Platz, Stuttgart, Germany
(Photo: Lazaros Filoglou)

Automatic swing door systems

Automatic swing door systems make going through a door easier whenever manual opening is too difficult or inconvenient. They are recommended in public as well as private buildings where convenience, accessibility, safety and hygiene are required or energy must be saved: in shopping centres, schools, office or factory buildings, airports, hospitals, vestibules or private properties.



Akbati, Istanbul, Turkey (Photo: Tarık Kaan Muşlu)

Automatic sliding door systems

Sliding doors are space-saving, elegant and modern. As glass solutions, they are ideal when it comes to making good use of daylight and fulfilling optical criteria. Automatic sliding doors from GEZE can be used to implement an extremely wide range of application requirements within a building. In the entrance area, vestibules or for automating internal doors, the automatic sliding doors from GEZE combine design and barrier-free convenience. They also meet the requirements made on escape and rescue routes.



Lufthansa Cologne, Germany (Photo: Lothar Wels)

Automatic circular sliding door systems

Automatic circular and semicircular sliding doors are a function and design element at the same time. Even with small outer dimensions, they create enormous space for passage. The door systems can be given a convex or concave form and can be connected to the building in several different ways.



Vitra Haus, Weil am Rhein, Germany
(Photo: Oliver Look)

Automatic revolving door systems

The TSA 325 NT drive variant with its customer-specific diameter as well as height and canopy height is the focal point of modern façade design especially in large and representative buildings. Different materials for door leaves and barrel walls offer a variety of design options. The revolving door is designed to take heavy loads and is thus the ideal solution for places that have a high frequency of visitors. Thanks to its high insulating effect against weather conditions, it also saves energy and ensures a good, consistent room temperature.

DIN 18650

The industrial standard DIN 18650 was created to be able to guarantee operators and users of automatic doors optimum safety. GEZE automatic doors as well as actuation devices and sensors are type-tested to DIN 18650 and certified.

EN 16005

The new European standard EN 16005 sets out the design requirements and testing methods used to ensure the safe use of automatic doors. The new standard has created a Europe-wide safety standard for automatic doors. All automatic door systems and safety sensors from GEZE meet the EN 16005 standard and are available.

Overview table for the application of actuation devices on automatic door systems

	Swing doors	Sliding doors	Circular sliding doors	Revolving swing doors
Activation				
Radar movement detector	•	•	•	•
AIR movement detector	•	•	•	•
Wireless programme	•	•	•	
Mechanical push button	•	•	•	
Sensor push button	•	•	•	
Switch	•	•	•	•
Rotary switch contact		•		
Presence detectors				
Light barriers		•		
Safety sensor	•			•
Ultrasound			•	
AIR light curtains	•	•	•	•
Combined detector				
Detector including AIR light curtain		•	•	
Programme switch				
Programme switch	•	•	•	•
Key push button	•	•	•	•
Main / safety switch	•	•	•	•
Smoke switches and control units				
Smoke switches and control units	•			

• = Yes

GEZE radar movement detector GC 302

Radar movement detector for controlling automatic doors

The GEZE GC 302 is used on internal and external automatic doors. Due to the pre-programmed settings, commissioning is fast and convenient. The detector can be configured using a key or remote control. The radar field is clearly defined (narrow field, wide field) and guarantees reliable detection. The integrated motion tracking feature even identifies slow movements, which is useful for people with restricted mobility. Special features include the detection of people's direction of movement and the fading out of cross-traffic. These mean external doors can contribute to energy saving, because the opening impulse is not triggered by people walking past the door.

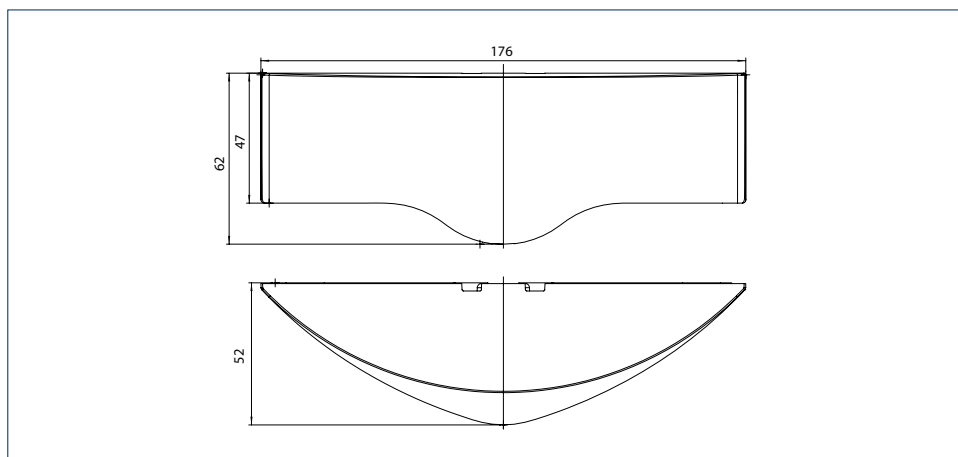
Special version

GC 302 SV: offers maximum security due to integrated self-monitoring, and is thus approved for use in emergency exits.

GEZE GC 302



GEZE GC 302

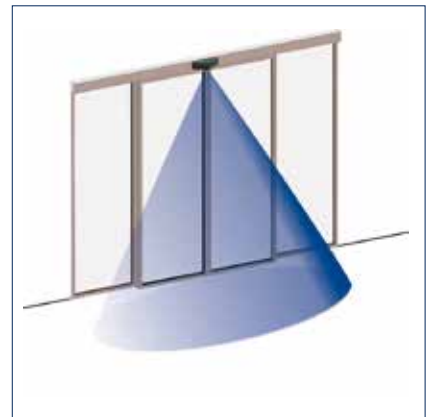
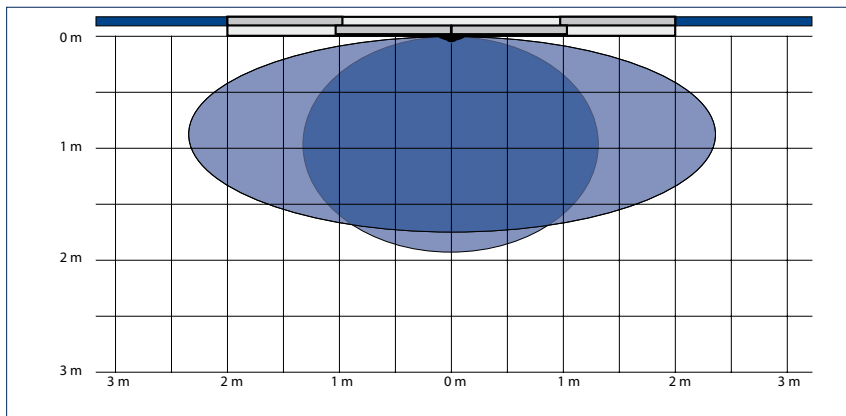


Application range

- Actuation of automatic swing, sliding, folding, revolving and circular sliding doors
- Use on pavements and in passages so that passing persons do not trigger an opening impulse
- Use in homes for the elderly and care homes, so that even very slow-moving people and wheelchair users are safely identified
- Version SV: for use in emergency exits

Technical data

Product features	GEZE GC 302
Technology	Electromagnetic radar waves
Transmission frequency	24,125 GHz
Operating voltage	12-36 V DC / 12-28 V AC
Operating current	approx. 50 mA at 24 V DC
Output	GC 302 R: potential-free relay output, 48 V AC/DC, 0.5 A AC/1 A DC, 60 VA/30 W GC 302 SV: voltage output < 10 V DC, 10 mA at 3.2 V DC, output current available: no detection/no fault, output current < 3 V DC or no current: detection or fault
Connection type	Push-fit screw terminal
Height	62 mm
Width	176 mm
Depth	52 mm
Installation height (max.)	4000 mm
Connection cable	5000 mm
Weight	150 g
IP rating	IP 54
Operating temperature	-20 – 60 °C
Humidity	0-90 % relative, non-condensing
Approvals	DIN 18650, EN 16005

Detection area and application example

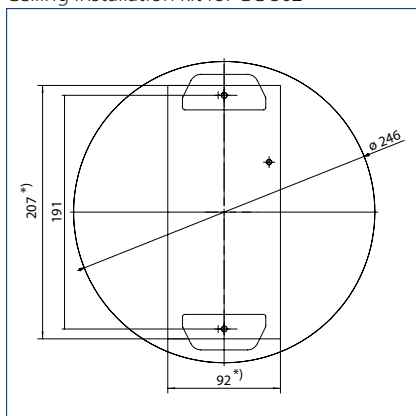
Narrow field (1): min. 0.7 x 0.6 m (W x D), max. 2.7 x 1.9 m (W x D)

Wide field (2): min. 1.1 x 0.6 m (W x D), max. 4.7 x 1.7 m (W x D)

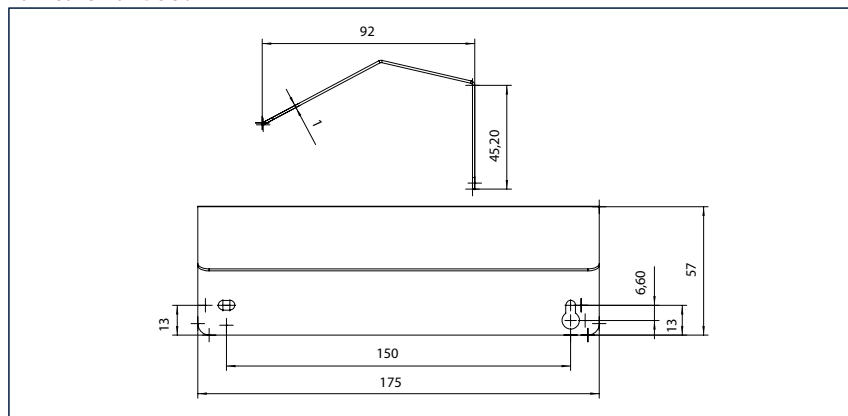
Given values measured at installation height 2.2 m and inclination angle 35°

Dimensional drawings for accessories

Ceiling installation kit for GC 302



Rain cover for GC 302



* = Ceiling cut-out

GEZE GC 302 - Order information

Description	Version	ID.No.
Radar movement detector GC 302 R Radar movement detector for controlling automatic doors	black acc. to RAL	124087 124088
Radar movement detector GC 302 SV For the actuation of automatic doors in the escape direction	black acc. to RAL	124089 124090
Accessories		
Rain cover GC 302 Protection against rainfall in the outdoor area	EV1	115339
Ceiling installation kit GC 302 Installation kit for integrating the sensor into the ceiling	white	115384
Remote control GC 302, GC 332 Setting and programming of GC 302, GC 332, Jupiter and Presence S	red	099575



German Telekom, Bonn, Germany (Photo: Lothar Wels)

GEZE radar movement detector GC 304

Radar movement detector with individual setting possibilities for actuating automatic doors

The GEZE GC 304 is used on internal and external automatic doors. Due to individual setting possibilities, the detector can be configured for demanding environmental conditions e.g. for double door systems, circular sliding doors and metal environments. Configuration can be carried out via keys or a remote control. The detector radar field is clearly defined (narrow field, wide field) and guarantees reliable detection even with difficult floor conditions (e.g. reflective floor, floor mat). The integrated motion tracking feature even identifies slow movements, which is useful for people with restricted mobility. The detection of people's direction of movement and fading out of cross-traffic can contribute to energy saving, because the door's opening impulse is only triggered if necessary.

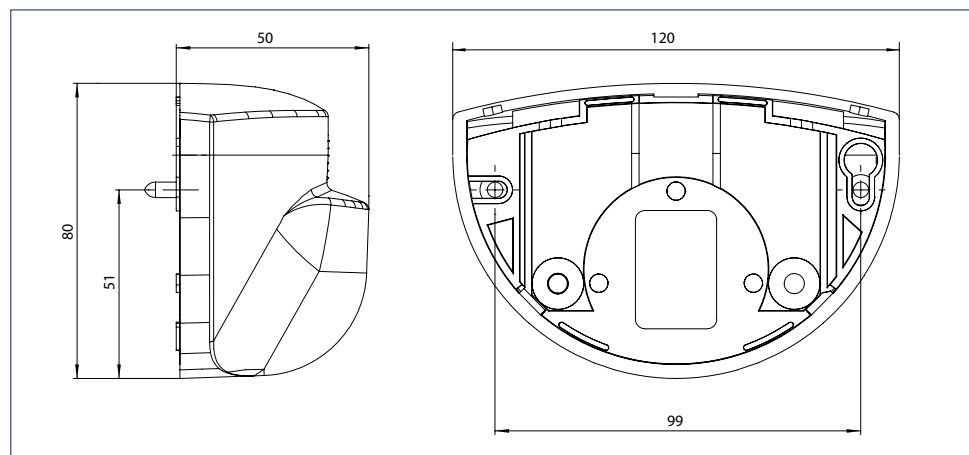
Special version

GC 304 SF: offers maximum security due to integrated self-monitoring, and is thus approved for use in emergency exits.

GEZE GC 304



GEZE GC 304



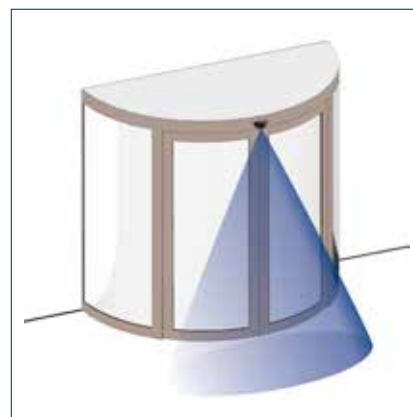
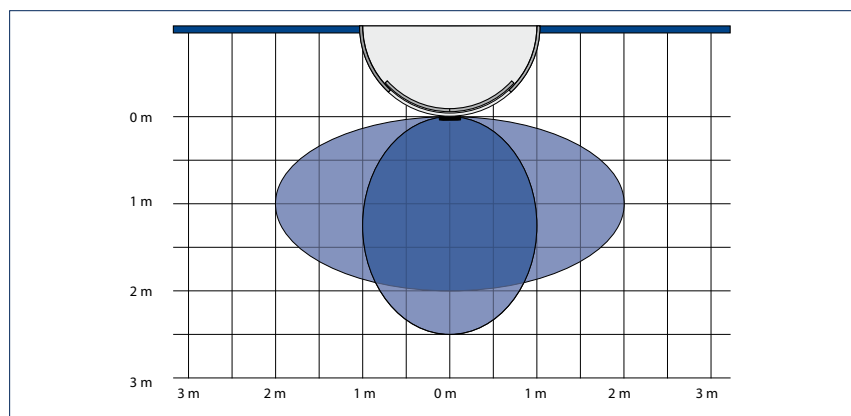
Application range

- Actuation of automatic swing, sliding, folding, revolving and circular sliding doors
- Use on pavements and in passages so that passing persons do not trigger an opening impulse
- Use in homes for the elderly and care homes, so that even very slow-moving people and wheelchair users are safely identified
- Version SF: for use in emergency exits

Technical data

Product features	GEZE GC 304
Technology	Electromagnetic radar waves
Transmission frequency	24.175 GHz
Transmission frequency	GC 304 R: 24.175 GHz, GC 304 SF: 24.150 GHz
Operating voltage	12-24 V DC/AC
Operating current	approx. 85 mA at 24 V DC
Output	GC 304 R: potential-free relay output, 42 V AC/60 V DC, 1 A, 60 VA/30 W GC 304 SF: frequency output, transistor ON: 100 mA, transistor OFF: < 200 mA
Connection type	System plug-type connector
Height	80 mm
Width	120 mm
Depth	50 mm
Installation height (max.)	4000 mm
Connection cable	5000 mm
Weight	215 g
IP rating	IP 54
Operating temperature	-20 – 55 °C
Humidity	< 90 % relative, non-condensing
Approvals	DIN 18650, EN 16005

Detection area and application example



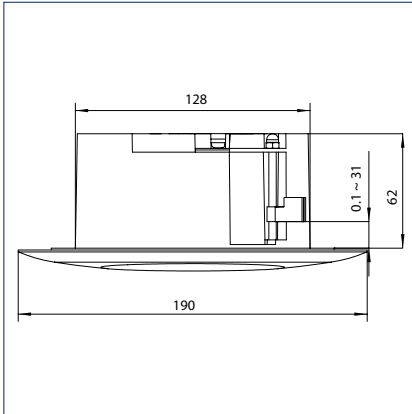
Narrow field (1): min. 0.5 x 0.75 m (W x D), max. 2.0 x 2.5 m (W x D)

Wide field (2): min. 1.0 x 0.5 m (W x D), max. 4.0 x 2.0 m (W x D)

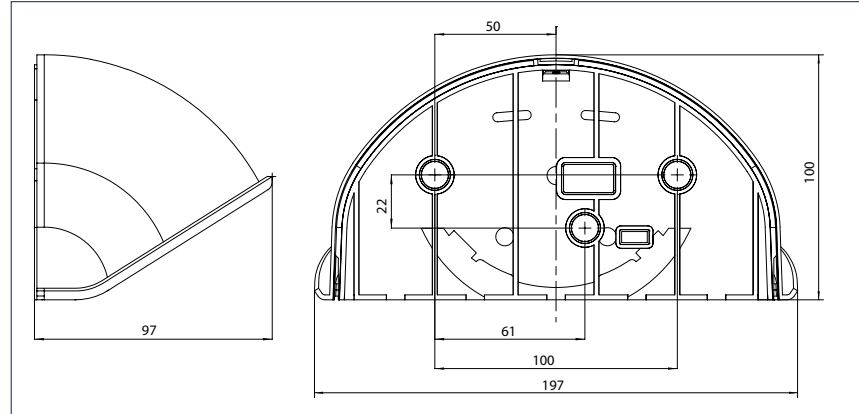
Given values measured at installation height 2.2 m

Dimensional drawings for accessories

Ceiling installation kit for GC 304



Rain cover for GC 304



* = Ceiling cut-out

GEZE GC 304 - Order information

Description	Version	ID.No.
GC 304 R radar movement detector Radar movement detector with individual setting possibilities for actuating automatic doors	black	130651
GC 304 R SF radar movement detector For the actuation of automatic doors in the escape direction	black	130652
Accessories		
Rain cover GC 304 Protection against rainfall in the outdoor area	transparent	130654
Ceiling installation kit GC 304 Installation kit for integrating the sensor into the ceiling	black	130653
Remote control GC 333, GC 362 Setting and programming of GC 302, GC 332, Jupiter and Presence S	black	100061

GEZE active infrared sensor AIR 12 Cleanscan

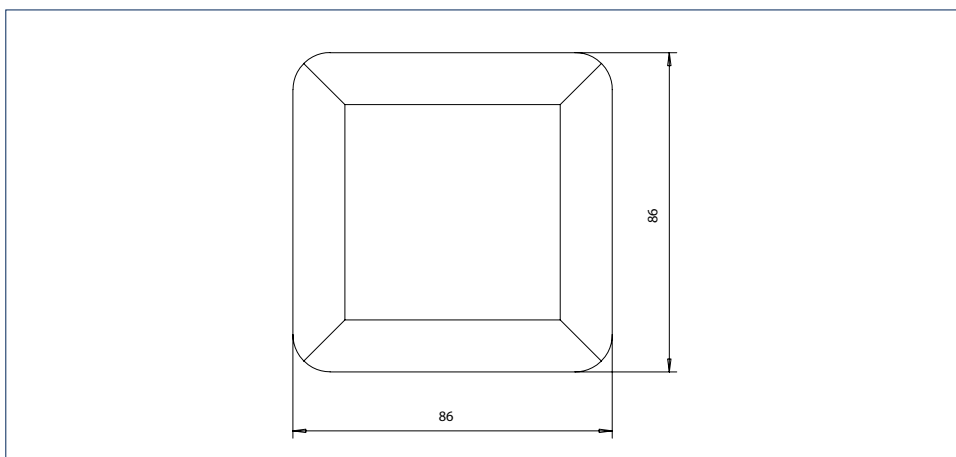
Non-contact proximity switch for the actuation of automatic doors

Open doors in a flash: with the AIR 12 Cleanscan internal doors without perception requirement can also be actuated cleanly and comfortably. The active infrared sensor ensures bacteria-free access to toilets, for example, or germ-free conditions in hotel kitchens, swimming pools and doctors' surgeries. The impulse generator is installed at hand height and precisely detects people and objects – independently of their direction of movement – both in the direct vicinity of only 5 cm as well as 0.6 m away. The different scanning ranges can be optimally adapted to existing environmental conditions and the interests of the user groups. Non-contact sensors offer a high level of operating comfort – people only need to approach them to trigger the automatic opening mechanism – and the advantage of absolute hygiene. The optimum system structure permits simple and time-saving installation in the flush-mounted socket.

GEZE AIR 12



GEZE AIR 12



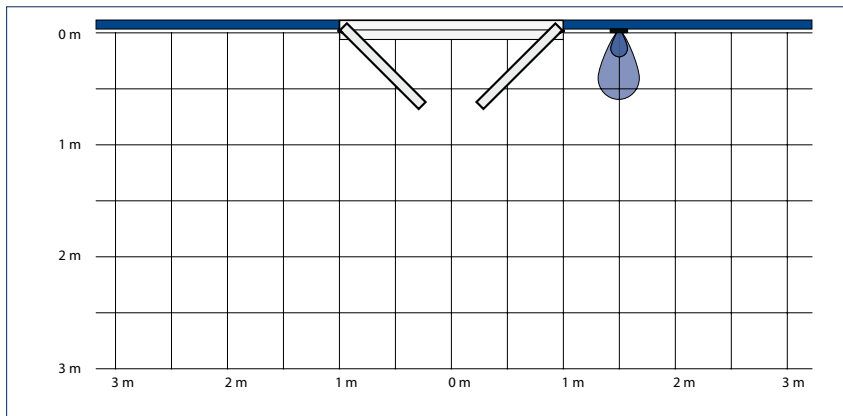
Application range

- Actuation of automatic swing, sliding, folding, revolving and circular sliding doors
- Clean rooms with high hygiene requirements (laboratory, hospitals, operating theatres etc.)
- Homes for the elderly and care homes
- Homes for the disabled
- Gastronomy

Technical data

Product features	GEZE AIR 12
Technology	Active infrared beams
Operating voltage	12-30 V DC / 12-24 V AC
Operating current	approx. 50 mA
Output	Potential-free relay output, 48 V AC / DC, 1 A AC / DC, 60 VA / 30 W
Connection type	Screw terminal
Height	86 mm
Width	86 mm
Depth	12 mm
Installation height	at hand level
IP rating	IP 50/65 (without/with seal)
Operating temperature	-20 – 60 °C
Humidity	< 90 % relative, non-condensing
Approvals	CE according to EMC Directive 89/336 EEC

Detection area and application example



Close-up range (1): 0.05 - 0.2 m, **far range (2):** 0.05 x 0.6 m

GEZE AIR 12 - Order information

Description	Version	ID.No.
GEZE AIR 12 Non-contact proximity switch for the actuation of automatic doors	white	079208

GEZE active infrared detector AIR 20-Var

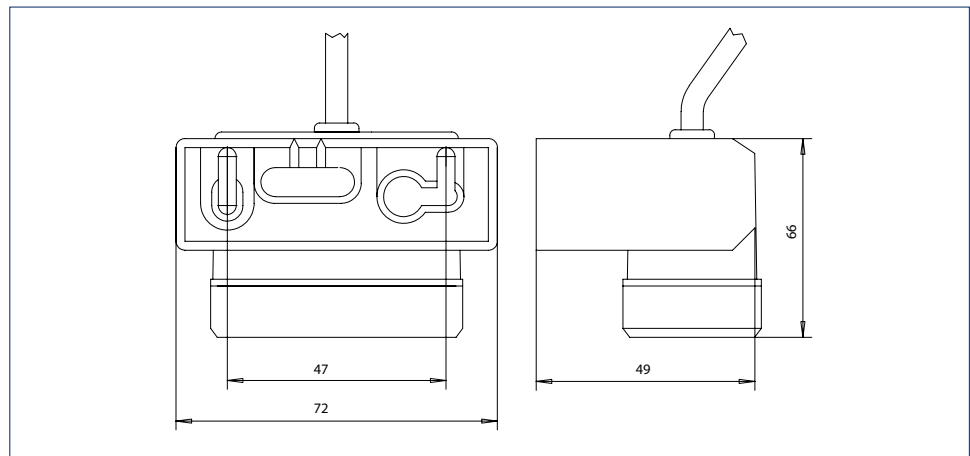
Light switch for monitoring the door handle of automatic swing doors

This compact active infrared detector has been designed for mobile and stationary applications. The GEZE AIR 20-Var is excellently suited for use in restricted space for the presence detection of persons and objects. In addition, this detector can be used for occupied checks in double-door systems. The scanning range can be adjusted from 1.2 m - 2.2 m using a mechanical adjustment screw.

GEZE AIR 20-Var



GEZE AIR 20-Var

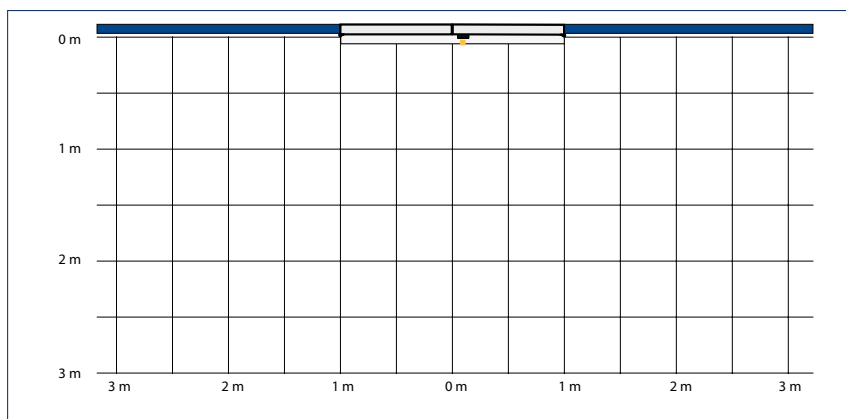


Application range

- Monitoring of the door handle for actuating automatic swing doors
- Use in restricted space for presence detection of persons or objects
- Used for occupied checks in double-door systems

Technical data

Product features	GEZE AIR 20-Var
Technology	Active infrared beams
Operating voltage	12-30 V DC / 18-28 V AC
Operating current	approx. 50 mA
Output	Potential-free relay output, 48 V AC / DC, 0.5 A AC / 1 A DC, 55 VA / 24 W, switching mode: bright method (output contact closed on detection)
Connection type	Push-fit screw terminal
Height	66 mm
Width	72 mm
Depth	49 mm
Scanning range adjustment	1.2 - 2.2 m
Installation height (min.)	1200 mm
Installation height (max.)	2200 mm
Connection cable	5000 mm
Light beam cross-section	60 x 60 mm
IP rating	IP 52
Operating temperature	-20 – 60 °C
Humidity	< 90 % relative, non-condensing
Approvals	CE according to EMC Directive 89/336 EEC

Detection area and application example

0.06 x 0.06 m (B x T)

Given values measured at detector range 1.3 m

GEZE AIR 20-Var - Order information

Description	Version	ID.No.
GEZE AIR 20-Var Light switch for monitoring the door handle of automatic swing doors	black	082689

GEZE radio programme

Wireless control with system – reliable, convenient and secure at the touch of a button

Radio-operated remote controls for a wide range of applications in our daily life bring added convenience. The elderly, disabled or physically weaker people can be afforded better quality of life, and they make work easier for care staff. They are increasingly becoming standard fittings for barrier-free and age-appropriate living.

The wireless control of doors and windows using the GEZE radio programme makes connection to a power supply superfluous. Thanks to the tiny dimensions of the radio modules, they can easily be integrated in the drive or an in-wall casing and can also be clipped directly into the elbow switch and mounted wirelessly on glass.



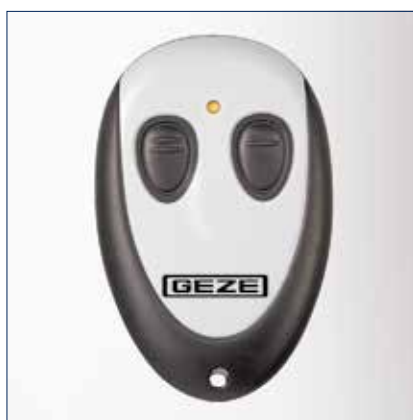
Application range

- Retro-fitting without needing to lay cables and using existing switches/buttons
- Installation without connection to power e.g. on glass
- Wireless control with system – reliable, convenient and secure at the touch of a button
- Combined actuation of doors and windows using a remote control

The GEZE radio programme is safe! The encryption of the radio signals using a rolling code with up to 74 trillion code combinations means that taught radio transmitters cannot be "cracked". Each transmitter is taught individually and safely to eliminate false or unauthorised radio control. The radio transmitter has a range of up to 30 metres. Doors can be controlled over great distances and even through walls. The radio receiver has two outputs. At each of the two outputs, individual radio receivers can be taught and evaluated differently according to the connection to the control. In addition, it is possible to select different operating modes via a DIP switch. For example, a short push of the button can be used to just open the door, whereas if the button is pushed for longer the door is held open. The radio programme is compatible with all GEZE door and window drives.



Hand-held transmitter 1 channel

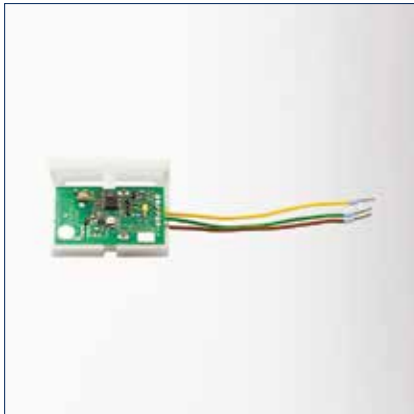


Hand-held transmitter 2 channels



Hand-held transmitter 4 channels

GEZE ACTUATION DEVICES / SENSOR SYSTEMS



WTM transmitting module



WRM-24 receiving module



WRM-24B receiving module in IP-54 housing



WRM-230 receiving module



WRM-230B receiving module in IP-54 housing



WRB-5 radio reception board

	WTH-1 hand-held transmitter	WTH-2 hand-held transmitter	WTH-4 hand-held transmitter
Specification	incl. wall bracket	incl. wall bracket	incl. wall bracket
Version	1 channel	2 channels	4 channels
IP rating	IP 54	IP 54	IP 54
Dimensions	78 x 51 x 15 mm	78 x 51 x 15 mm	78 x 51 x 15 mm
Battery	12 V, 45 mAh A235	12 V, 45 mAh A235	12 V, 45 mAh A235
Battery life cycle	10,000 operations	10,000 operations	10,000 operations

	WTM transmitting module	WRM-24 receiving module	WRM-24B receiving module in IP-54 housing
Specification	incl. 3 connection cables incl. protective casing (can be clipped in elbow switch KFT)	2 outputs, relay contact 100 mA, 48 V	2 outputs, relay contact 100 mA, 48 V
Version		Flush-mounted	Surface-mounted
IP rating	IP 20	IP 20	IP 54
Dimensions	44 x 30 x 11 mm	52 x 47 x 23 mm	130 x 80 x 35 mm
Battery	3V, 150 mAh CR2032		
Battery life cycle	50,000 operations		
Current consumption		24 V, 12.5 mA in standby	24 V, 12.5 mA in standby

	WRM-230 receiving module	WRM-230B receiving module in IP-54 housing	WRB-5 radio reception board
Specification	2 outputs, relay contact 5A, 230V	2 outputs, relay contact 5A, 230V	2 outputs, for clipping onto the DCU control unit
Version	flush-mounted	surface-mounted	Circuit board (for clipping into the control unit)
IP rating	IP 20	IP 54	
Dimensions	52 x 47 x 23 mm	130 x 80 x 35 mm	44 x 27 x 10 mm
Current consumption	230 V, 3.9 mA in standby	230 V, 5.6 mA in standby	5 V, 6 mA in standby

Application matrix for radio programme

	ECdrive Slimdrive Powerdrive	TSA Slimdrive EMD	ECturn	RWA central con- trol unit E260	Window drive
Pulse signal	WRM-24, WRM-24B	WRM-24, WRM-24B	WRB-5		
Pulse and permanent signal	WRM-24, WRM-24B	WRM-24, WRM-24B	WRB-5		
Dead man's signal				WRM-24, WRM-24B	WRM-230, WRM-230B
Self-adjusting signal				WRM-24, WRM-24B	WRM-230, WRM-230B

Application range**Radio transmitters**

- Transmitter frequency 433.93 MHz
- Safe coding of radio signals using rolling code (approx. 74 trillion code combinations)
- Radio range up to 30 m inside the building
- LED function indicator for battery and transmission check
- All-purpose applicability for doors, windows and for smoke and heat extraction systems, which can be controlled in a system concept individually, together
- or defined in groups without the need for cables

Radio receivers

- Simple teaching of the radio transmitters using teach button with acoustic feedback, up to 85 radio transmitters can be taught
- DIP switches for selecting operating mode of the radio receivers (pulse mode, pulse and permanent operation, dead man's operation or self-adjusting mode)
- Tiniest housing dimensions for integrated installation within the drive or a flush-mounted box
- IP 54 surface-mounted version for protected outdoor areas
- 2 outputs for individual connection possibilities

Order information

Bezeichnung	Ausführung	Id. Nr.
Hand-held transmitter	WTH-1	131209
	WTH-2	131210
	WTH-4	131211
Spare battery for hand-held transmitter		131217
Transmitting module	WTM	131212
Spare battery for transmitting module		131218
Elbow switch KFT	white, surface-mounted	114078
	stainless steel, surface-mounted	114077
Backplate for elbow switch KFT	white	131219
	stainless steel	131220
Elbow switch LS990	surface-mounted	128582
	flush-mounted	128583
Vent switch LTA24-AZ	flush-mounted	129393
Receiving module	WRM-24	131213
	WRM-230	131215
Receiving module in IP-54 housing	WRM-24B	131214
	WRM-230B	131216
Radio reception board	WRB-5	135170

GEZE SecuLogic electric strike IQ eStrike A5000--F

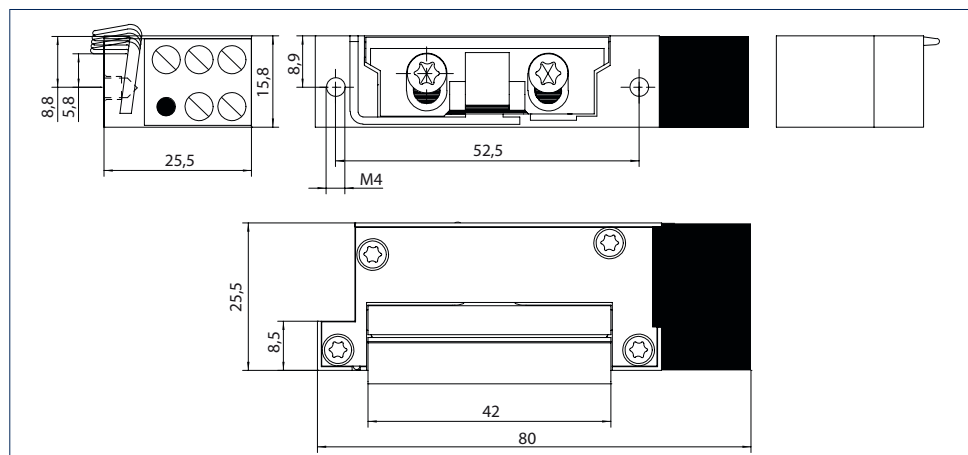
Compact door opener with integrated radio receiver

The IQ eStrike A5000--F with integrated radio receiver can be used on all standard and smoke protection doors which are to be held closed conveniently. As electric strike fail safe it is locked when without current. The door opener is unlocked when it receives a signal via the hand-held transmitter. The electric strike can be installed on right and left hung doors. Depending on the specific situation the electric strike can be installed vertically or horizontally.

GEZE IQ eStrike A5000--F



GEZE IQ eStrike A5000--F



Application range

- Doors with electric strikes which are to be opened conveniently by means of hand-held transmitters and radio control.
- Optimum use with the GEZE wireless programme
- For right and left hung doors
- Vertical or horizontal installation
- Use on smoke protection doors

Technical data

Product features	IQ eStrike A5000--F
CE tested	•
Universal DIN	left/right
Approval for smoke protection doors	•
Bipolar EMC protection diode integrated	•
Horizontal / vertical installation	•
Functions	
Working current	•
Twin coil technology	•
Radius latch adjustable	3 mm
Height	80 mm
Width	15.8 mm
Depth	25.5 mm
Latch engagement depth	6 mm
Retention force	5000 N
Momentary contact voltage (max. 1 min.)	12 V DC
Current consumption	200 mA at 12 V DC (unlocked), 5 mA at 12 V DC (static state)

• = YES

IQ eStrike A5000--F - Order information

Description	ID.No.
GEZE IQ eStrike A5000---F	144980

GEZE activation detectors

Activation detectors for a wide range of different requirements for the opening and closing of automatic doors

GEZE activation detectors are offered for a wide range of installation possibilities: wall, floor or ceiling installation. All activation detectors can be used for inside and outside areas.



Plastic elbow switch



Stainless steel elbow switch LS990



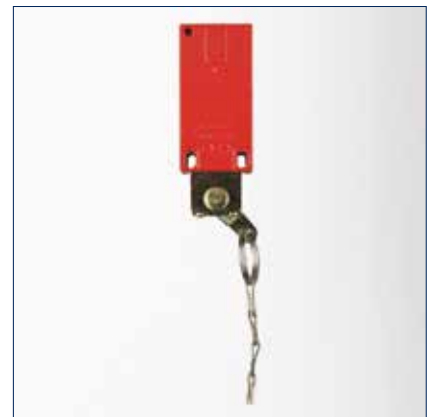
Stainless steel elbow switch



Plastic rocker push button AS 500



Stainless steel rocker push button LS990



Pull button



Foot contact switch



LED sensor button



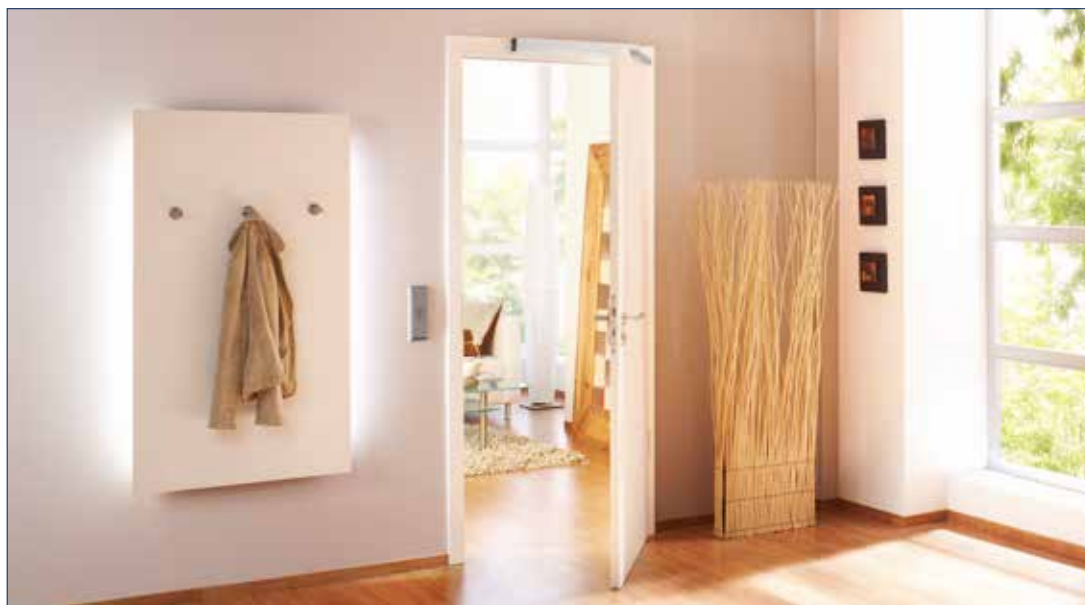
Glass LED sensor button

Application range

- Actuation of automatic swing, sliding, folding, revolving and circular sliding doors
- Elbow switches for use in inside and outside areas
- Pneumatic switches for use in the gastronomy field
- Sensor button suitable for barrier-free use on external doors

	Plastic elbow switch	Stainless steel elbow switch LS990	Stainless steel elbow switch	Plastic rocker push button AS 500
Specification	<ul style="list-style-type: none"> 1-pole closing contact Switching voltage: max. 24 V DC Switching current: max. 1 mA 	<ul style="list-style-type: none"> 1-pole closing contact Switching voltage: max. 230 V AC Switching current: max. 10 A 	<ul style="list-style-type: none"> 1-pole changeover contact Switching voltage: max. 230 V AC Switching current: max. 1 A 	<ul style="list-style-type: none"> 1-pole closing contact Switching voltage: max. 230 V AC Switching current: max. 10 A
Version	surface-mounted	flush-mounted/ surface-mounted	surface-mounted	flush-mounted/ surface-mounted*
IP rating	IP 30 / IP 65*	IP 30	IP 65	IP 20
Dimensions	90 x 180 x 23 mm	81 x 223 x 18 mm (flush-mounted) 81 x 223 x 51 mm (surface-mounted)	75 x 250 x 17 mm	80 x 80 x 9 mm (flush-mounted)
Accessories	<ul style="list-style-type: none"> *1-pole changeover contact IP 65, ID no. 114156 Label wheelchair users, ID no. 72581 Back plate ID no. 131219 (white) ID no. 131220 (stainless steel) 		<ul style="list-style-type: none"> Label wheelchair users, ID no. 72581 	<ul style="list-style-type: none"> *Surface-mounted box, ID no. 120503
ID no.	114078 (white) 114077 (stainless steel)	141042 (flush-mounted, white) 141041 (surface-mounted, white) 128583 (flush-mounted, stainless steel) 128582 (surface-mounted, stainless steel)	119898	120888

	Stainless steel rocker push button LS990	LED sensor button	Pull button	Foot contact switch
Specification	<ul style="list-style-type: none"> 1-pole closing contact Switching voltage: max. 230 V AC Switching current: max. 10 A 	<ul style="list-style-type: none"> PNP closing contact Switching voltage: max. 24 V DC Switching current: max. 400 mA Current consumption: max. 35 mA at 24 V 	<ul style="list-style-type: none"> Contact system: 1 opener / 1 closer Switching voltage: max. 230 V DC Switching current: max. 10 mA 	<ul style="list-style-type: none"> incl. air hose with 4 mm outer diameter, 2 mm inner diameter, length 7 m
Version	flush-mounted	surface-mounted	incl. pull line (length 1 m)	flush-mounted
IP rating	IP 20	IP 69	IP 65	
Dimensions	81 x 81 x 11 mm	ø 100 x 100	36 x 94 x 34 mm	100 x 100 x 4.5 mm
Accessories		<ul style="list-style-type: none"> Mounting ring, flat, ID no. 139009 Mounting ring, high ID no. 139010 		<ul style="list-style-type: none"> Pressure wave button, ID no. 053757
ID no.	098396	137529, 143412 (glass)	008607	002906



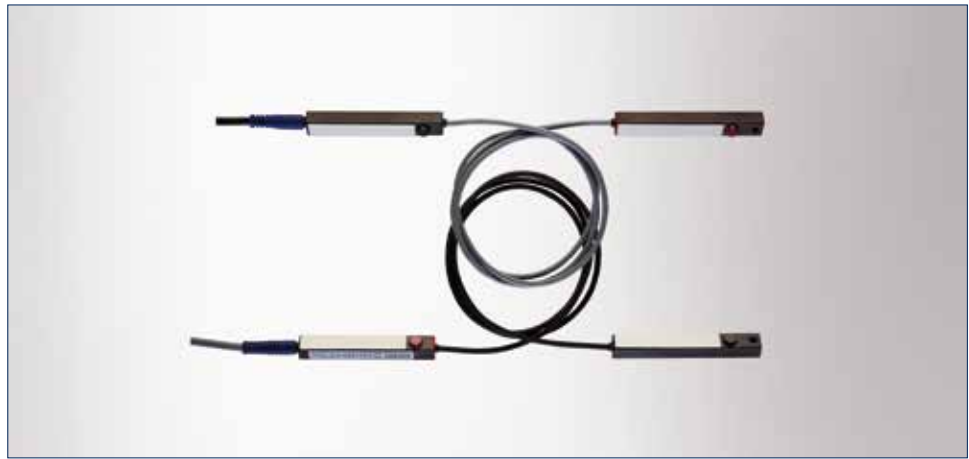
Installation situation (Photo: Studio BE)

GEZE safety photoelectric barrier GZ 470 V / GZ 472 V

Safety photoelectric barriers as single and double beam version for automatic sliding doors in accordance with EN 12650-2

The GEZE GZ 470 V, the photoelectric barrier with single beam, and the GEZE GZ 472 V, the photoelectric barrier with double beam, provide simple and reliable safeguarding for automatic sliding doors in accordance with EN 12650-2. The max. range of these sensors is 5 m. The compact design makes flexible installation in a range of different door profiles possible. Attachment using double-sided adhesive tape is easy and straightforward. The integrated electronics guarantee fast installation and compact space requirements.

GEZE GZ 470 V / GZ 472 V



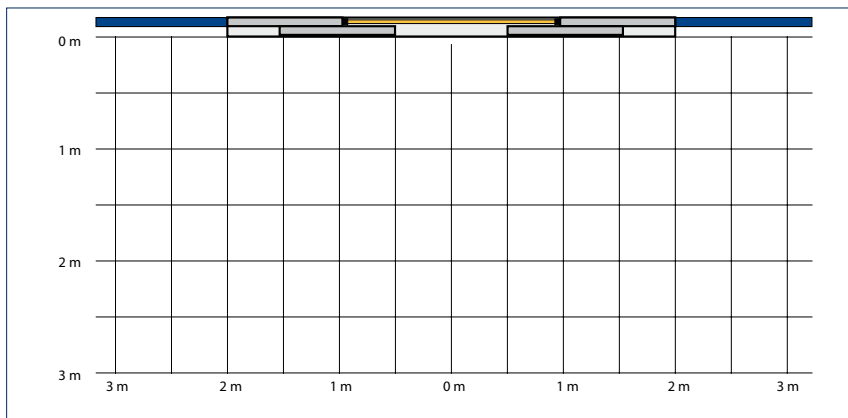
Application range

- Safeguarding of automatic sliding doors

Technical data

Product features	GEZE GZ 470 V / GZ 472 V
Technology	Active infrared beams
Number of IR	GZ 470 V: 1 channel GZ 472 V: 2 channels
Operating voltage	11-30 V
Operating current	GZ 470 V: approx. 40 mA at 24 V DC GZ 472 V: approx. 80 mA at 24 V DC
Output	PNP transistor output, < 30 V DC, < 100 mA
Connection type	Cable prepared for connection to screw terminal
Height	11.6 mm
Width	85 mm
Depth	11.5 mm
Installation height	GZ 470 V: min. 200 mm GZ 472 V: 200 and 1000 mm
Connection cable	8000 mm
Operating temperature	-20 – 60 °C
Humidity	< 90 % relative, non-condensing
Approvals	CE according to EMC Directive 89/336 EEC

Detection area and application example



GEZE GZ 470 V



GEZE GZ 472 V



Recommended installation:
 Beam height at least 20 cm above the ground
 Maximum 5 m reciprocal spacing

GEZE GZ 470 V / GZ 472 V - Order information

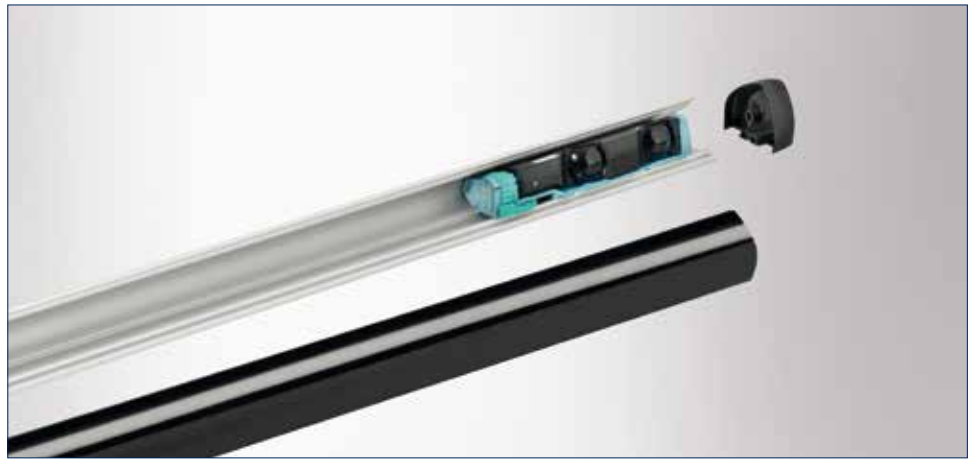
Description	Version	ID.No.
GZ 470 V, single channel light barrier For safeguarding automatic sliding doors, with one transmitter and receiver	black	112726
GZ 472 V, two-channel light barrier For safeguarding automatic sliding doors, with 2 transmitters and receivers	black	112727
Accessories		
Cover panel for light barrier	EV1	065312
	dark bronze	068739
	mill finish	068738
	acc. to RAL	099988

GEZE sensor strip GC 338

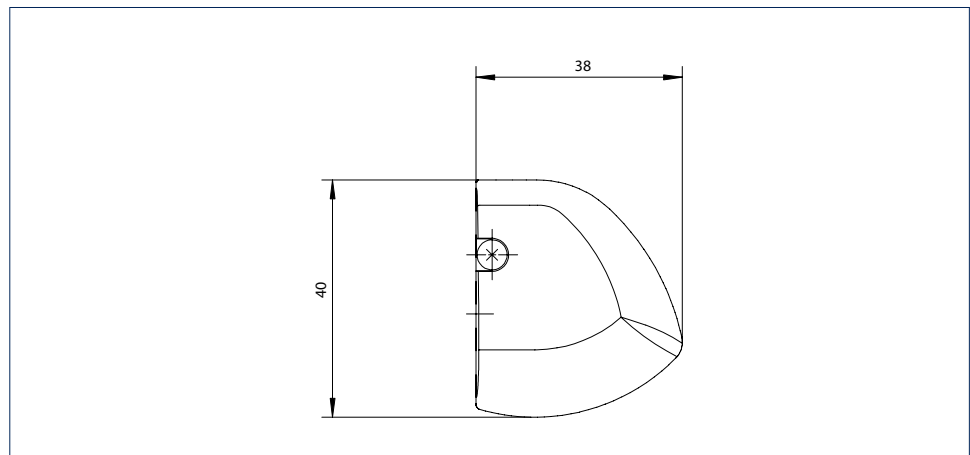
Sensor strip for safeguarding automatic swing and revolving doors in accordance with DIN 18650 / EN 16005

The energy- and space-saving GEZE sensor strip GC 338 is used to safeguard automatic swing and revolving doors in accordance with DIN 18650 / EN 16005. The sensor strip is mainly used with difficult floor conditions (e.g. floor mats, metal rails, dark and light-absorbing floor coverings). The close-meshed detection field with a wide field of detection over the whole door width provides special protection at the primary and secondary closing edges. In addition, the sensor has a wall blanking feature which makes it possible to guarantee maximum safety even with doors that open against walls. The sensor strip automatically teaches itself its environment. Safeguarding all GEZE swing door drives with door leaf widths of up to 1500 mm is achieved with only one sensor system. The GC 338 not only offers advantages for installation and commissioning – the complete door system is supplied via an interface. Settings such as the position of the interface, standby mode, boost mode and grating mode can be made conveniently using the DIP switch.

GEZE GC 338



GEZE GC 338



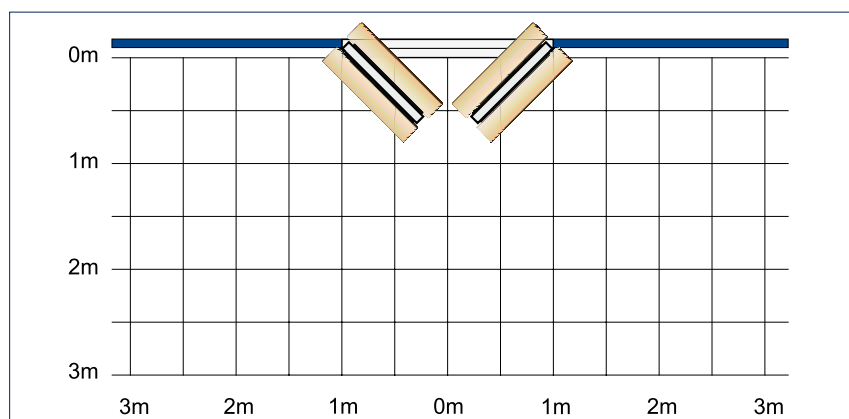
Application range

- Safeguarding automatic swing and revolving doors in accordance with DIN 18650 / EN 16005

Technical data

Product features	GEZE GC 338
Technology	Active infrared beams
Operating voltage	24 V DC \pm 20 %
Operating current	max. 100 mA at 30 V DC
Output	PNP transistor output, max. 30 V DC, max. 100 mA
Installation height (min.)	1500 mm
Installation height (max.)	3500 mm
Connection cable	5000 mm
Reaction time	< 52 ms and < 200 ms in boost mode
IP rating	IP 52
Operating temperature	-20 – 60 °C
Humidity	< 90 % relative, non-condensing
Approvals	DIN 18650, EN 16005

Detection area and application example



Safeguarding range: from 0.6 m to 1.6 m at 2.2 m installation height

GEZE GC 338 - Order information

Description	Version	ID no.
GC 338 pair of sensor strips L= 1200 mm System comprising two complete sensor strips for securing the swivelling range of automatic swing and revolving doors in accordance with DIN 18650 / EN 16005	EV1	142219
	white RAL 9016	142826
	acc. to RAL	142825
GC 338 pair of sensor strips L= 1500 mm System comprising two complete sensor strips for securing the swivelling range of automatic swing and revolving doors in accordance with DIN 18650 / EN 16005	EV1	142757
	white RAL 9016	142828
	acc. to RAL	142827
Zubehör		
Adapter for sensor link arm For Powerturn, EMD / EMD-F and TSA 160 NT	EV1	144352
	acc. to RAL	153126
GC GR for GC 338 L=1200 mm For Powerturn / Powerturn F, installation on the hinge side, lever length 330 mm	EV1	157450
	acc. to RAL	157451
GC GR for GC 338 L=1500 mm For Powerturn / Powerturn F, installation on the hinge side, lever length 330 mm	EV1	157472
	acc. to RAL	157473
GC GR for GC 338 L=1200 mm For Powerturn / Powerturn F, installation on the opposite hinge side, lever length 450 mm	EV1	157474
	acc. to RAL	157475
GC GR for GC 338 L=1500 mm For Powerturn / Powerturn F, installation on the opposite hinge side, lever length 450 mm	EV1	157476
	acc. to RAL	157477

GEZE ACTUATION DEVICES / SENSOR SYSTEMS

Description	Version	ID no.
GC GR for GC 338 L=1200 mm for EMD/EMD-F, with lower guide, incl. lever and end caps	EV1	146205
	acc. to RAL	146209
GC GR for GC 338 L=1200 mm for TSA 160 NT, with deeper guide, incl. lever and end caps	EV1	146217
	acc. to RAL	146221
GC GR for GC 338 L=1200 mm for TSA 160 NT Z, with deeper guide, incl. lever and end caps	EV1	146211
	acc. to RAL	146215
GC GR for GC 338 L=1500 mm for EMD/EMD-F, with lower guide, incl. lever and end caps	EV1	146206
	acc. to RAL	146210
GC GR for GC 338 L=1500 mm for TSA 160 NT Z, with deeper guide, incl. lever and end caps	EV1	146212
	acc. to RAL	146216
GC GR for GC 338 L=1500 mm for TSA 160 NT, with deeper guide, incl. lever and end caps	EV1	146218
	acc. to RAL	146222
GC GR for GC 338 L=1200 mm For EMD-F-IS DIN left, transom installation opposite hinge side, with deeper guide, incl. lever and end caps	EV1	149952
	acc. to RAL	149956
GC GR for GC 338 L=1200 mm For EMD-F-IS DIN right, transom installation opposite hinge side, with deeper guide, incl. lever and end caps	EV1	149958
	acc. to RAL	149962
GC GR for GC 338 L=1500 mm For EMD-F-IS DIN left, transom installation opposite hinge side, with deeper guide, incl. lever and end caps	EV1	149953
	acc. to RAL	149957
GC GR for GC 338 L=1500 mm For EMD-F-IS DIN right, transom installation opposite hinge side, with deeper guide, incl. lever and end caps	EV1	149959
	acc. to RAL	149963
GC 338 pair of end caps	black	142226
GC 338 receiver module		143071
GC 338 interface set comprising interface module, corrugated hose and door connection cable (5 m)		149098
GC 338 interface module		143072
GC 338 cable set comprising flat ribbon connecting cable 2 m with 5 connectors and connection cable hinge side/opposite hinge side		149237
GC 338 transmitter module		143060
GC 335 / GC 338 sensor cut out profile L=6000 mm	EV1	079581
	mill finish	079584
GC 335 / GC 338 sensor window profile L=4000 mm		118856
GC 335 sensor cut out profile, cut-to-size	EV1	100269
GC 335 / GC 338, weather canopy L=1200 mm		142227
GC 335 / GC 338, weather canopy L=1500 mm		142232
Pair of end caps GC GR for GC 335/338	black	146223

GEZE sensor strip GC 335

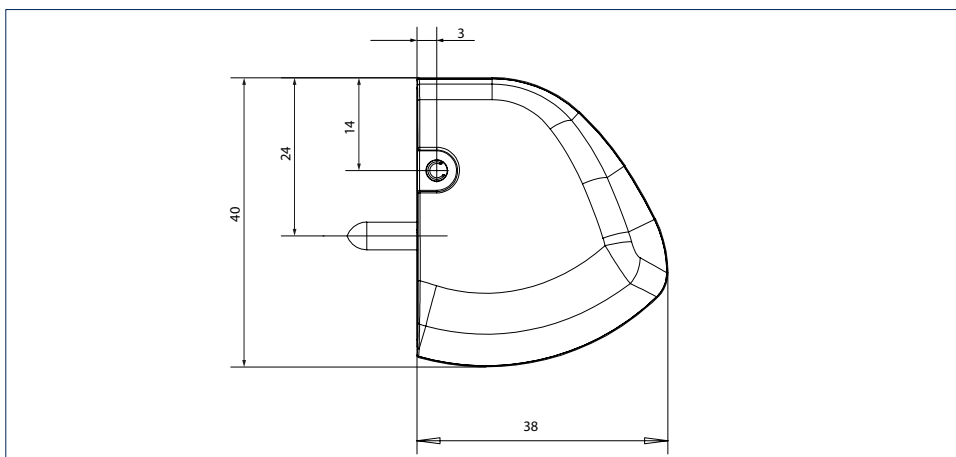
Sensor strip for safeguarding automatic swing and revolving doors in accordance with DIN 18650 / EN 16005

The GEZE GC 335 is used to safeguard automatic swing and revolving doors in accordance with DIN 18650 / EN 16005. The click fitting in the sensor mounting profile reduces installation effort. The inclination angle and detection range can be adjusted mechanically. Continuous self-monitoring means the GEZE GC 335 fulfills the highest safety standard and is thus approved for use for emergency exits. The simple design offers a cost-optimised solution.

GEZE GC 335



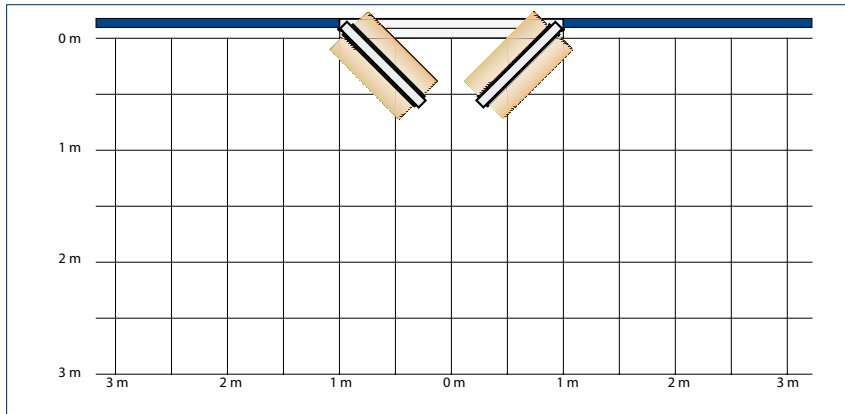
GEZE GC 335



Application range

- Safeguarding automatic swing and revolving doors in accordance with DIN 18650 / EN 16005

Product features	GEZE GC 335
Technology	Active infrared beams
Operating voltage	24 V DC
Operating current	approx. 60 mA at 24 V DC per module
Output	Potential-free relay output, 30 V AC/DC, 0.3 A AC/0.3 A DC
Connection type	Push-fit screw terminal
Height	42 mm
Depth	37 mm
Dimensions	Sensor strip: 310/900/1400 (can be cut to size) x 42 x 37 mm (W x H x D), Sensor module: 179 x 23 x 33 mm (W x H x D)
Installation height (min.)	1500 mm
Installation height (max.)	2500 mm
Connection cable	1000 mm
Reaction time	< 70 ms
IP rating	IP 52
Operating temperature	-10 – 50 °C
Humidity	< 90 % relative, non-condensing
Approvals	DIN 18650, EN 16005

Detection area and application example

0.08 x 0.03 m per sensor module

Given values measured at installation height 2.2 m

Number of modules (Master + Slave) per sensor strip

Door leaf width	0.8 m	0.9 m	1.0 m	1.1 m	1.2 m	1.3 m	1.4 m
Installation height 2.2 m	1+2	1+3		1+4		1+5	

GEZE GC 335 - Order information

Description	Version	ID no.
GC 335 sensor strip L=310 mm Securing the swivelling range of automatic swing and revolving doors in accordance with DIN 18650 / EN 16005	EV1 acc. to RAL	129856 129859
GC 335 sensor strip L=900 mm Securing the swivelling range of automatic swing and revolving doors in accordance with DIN 18650 / EN 16005	EV1 acc. to RAL	128054 128057
GC 335 sensor strip L=1400 mm Securing the swivelling range of automatic swing and revolving doors in accordance with DIN 18650 / EN 16005	EV1 acc. to RAL	128058 128071
Zubehör		
Adapter for sensor link arm For Powerturn, EMD / EMD-F and TSA 160 NT	EV1 acc. to RAL	144352 153126
GC 335 extension kit With one slave module, connection cable and clip bearings		128072
GC 335 master module		128074
GC 335 end cap, left	black	071094
GC 335 end cap, right	black	071851
GC 335 clip bearing	black	126471
GC 335 slave module		128065
GC 335 connection cable	black	120085
GC 335 sensor cut out profile, cut-to-size	EV1	100269
GC 335 / GC 338 sensor cut out profile L=6000 mm	EV1 mill finish	079581 079584
GC 335 / GC 338 sensor window profile L=4000 mm		118856
GEZE infrared detector Device for determining the position of infrared curtains		112321
Door transmission cable for GC 335 8-wire		057182
Door transmission hose for sensor Length 300 mm		025901
GC 335 screws for sensor strip		081168
GC 335 screws and cable		081169

GEZE ultrasonic sensor and control unit

Ultrasonic sensor for safeguarding the main closing edge of circular sliding doors

The GEZE ultrasonic sensor and the GEZE ultrasonic control unit stand for maximum personal safety near the main closing edge of circular sliding doors. The cone-shaped 3D detection area of the sensor distinguishes between the movements of a door or a person, and the self-monitored ultrasonic control unit reacts accordingly. The small dimensions of the sensor have almost no effect on the outer appearance of the door.

GEZE ultrasonic sensor and control unit

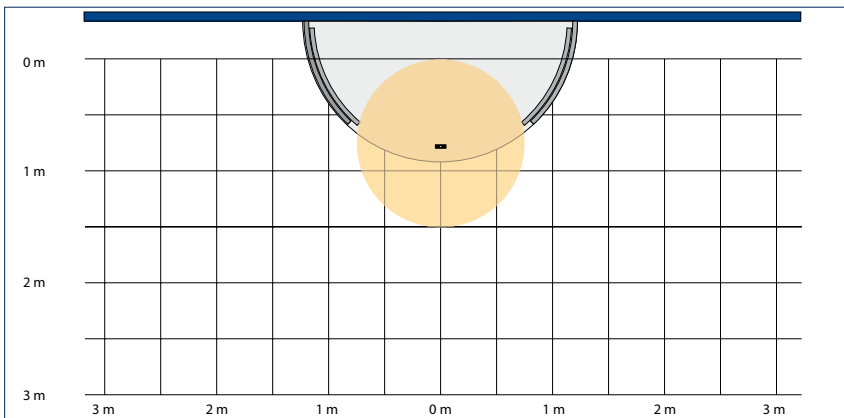


Application range

- Safeguarding the main closing edge of circular sliding doors

Technical data

Product features	GEZE ultrasonic sensor and control unit
Technology	Ultrasonic waves
Operating voltage	24 V DC / AC
Operating current	approx. 70 mA at 24 V DC
Output	Potential-free relay output, 120 V AC/24 V DC, 0.5 A, 60 VA/24 W
Connection type	Screw terminal
Dimensions	Sensor: 50 x 20 x 24 mm (W x H x D), control unit: 252 x 37 x 55 mm (W x H x D)
Installation height (min.)	2000 mm
Installation height (max.)	3000 mm
Weight	460 g
IP rating	IP 52
Operating temperature	-10 – 40 °C
Humidity	< 90 % relative, non-condensing
Approvals	DIN 18650

Detection area and application example

Diameter 1.5 m

900 mm above floor if ultrasonic sensor is mounted at 2.2 m

GEZE ultrasonic sensor and control unit - Order information

Description	ID.No.
Ultrasonic sensor HZ 1US Ultrasonic sensor for safeguarding the main closing edge of circular sliding doors	091566
Ultrasonic control unit HZC Ultrasonic sensor for safeguarding the main closing edge of circular sliding doors	091565

GEZE Active infrared light curtain GC 341

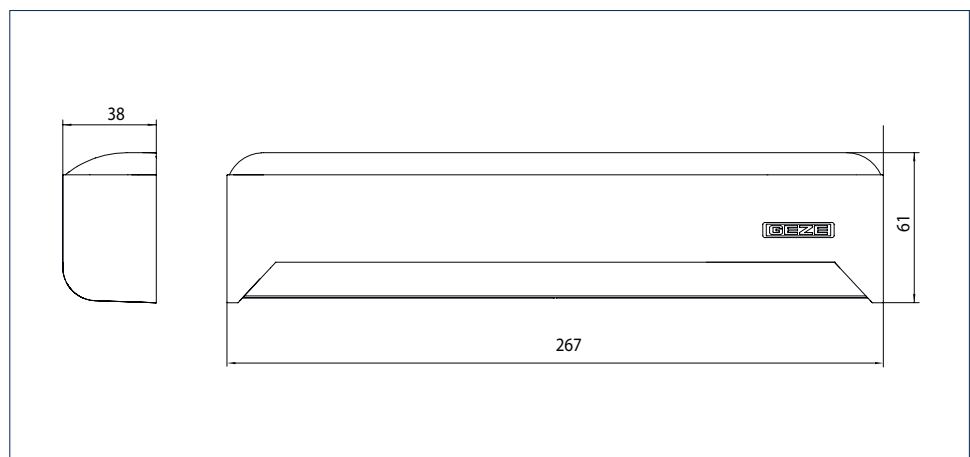
Self-monitored light curtain for safeguarding and activating automatic sliding doors, suitable for GC 365

The GEZE active infrared light curtain GC 341 is used for safeguarding single and double-leaf linear sliding door in compliance with DIN 18650 and EN 16005. The sensor can be used for inside and outside areas and has an invisible and non-contact protective device. It guarantees reliable detection even when mounted at a height of 3500 mm.

GEZE GC 341



GEZE GC 341

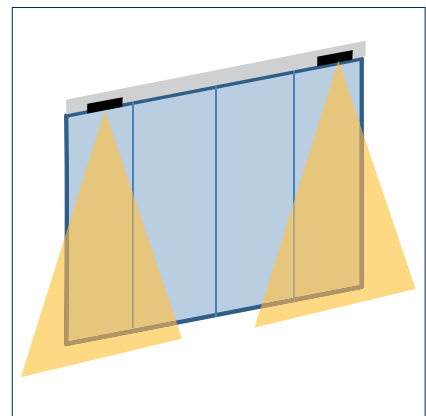
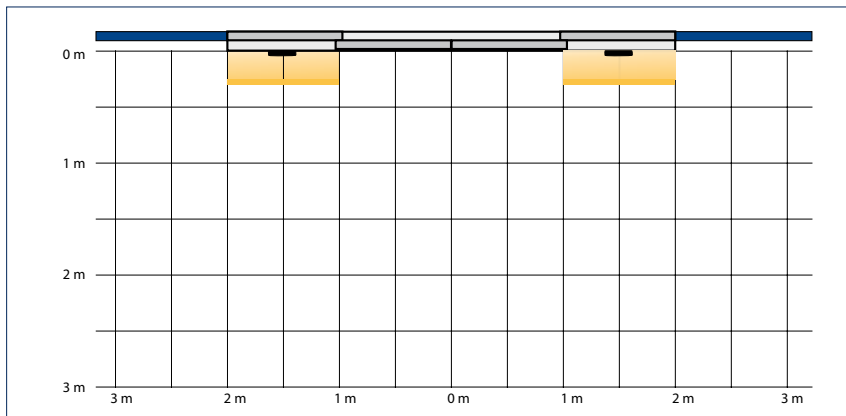


Area of application

- Safeguarding automatic sliding doors
- Use in hazardous areas on the secondary closing edge without protective door leaf

Technical data

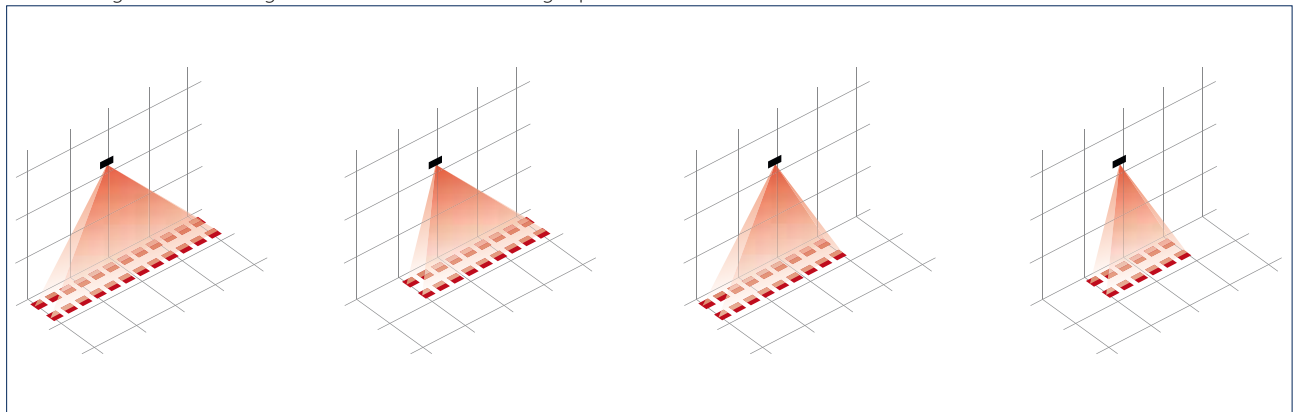
Product features	GEZE GC 341
Technology	Active infrared beams
Operating voltage	12-30 V DC / 12-24 V AC
Operating current	approx. 100 mA
Output	Electric relay, 50 V DC max. switching voltage, 100 mA max. output current
Connection type	System plug-type connector
Height	61 mm
Width	267 mm
Depth	38 mm
Installation height (min.)	2000 mm
Installation height (max.)	3500 mm
Connection cable	3000 mm
Weight	245 g
IP rating	IP 54
Operating temperature	-20 - 55 °C
Humidity	< 80 % relative, non-condensing
Approvals	DIN 18650, EN 16005

Detection area and application example

Active infrared light curtain Narrow field: 1.12 x 0.25 m, wide field: 2.65 x 0.25 m

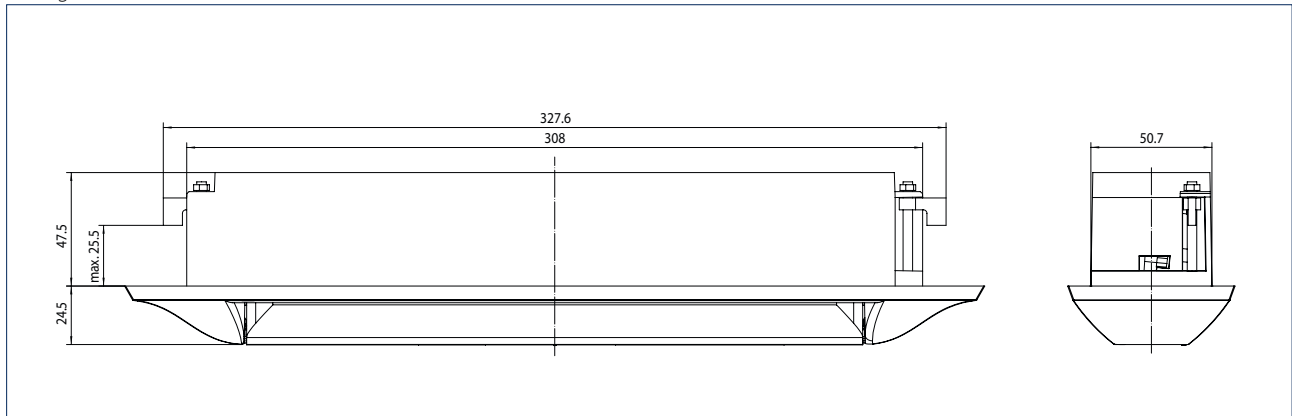
Given values measured at installation height 2.2 m

4 settable light curtain configurations without additional light prisms

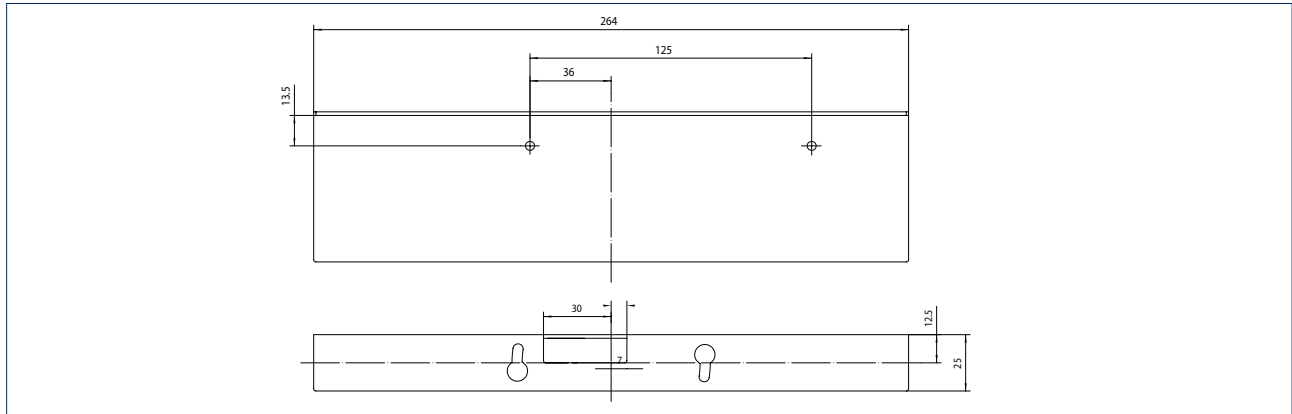


Dimensional drawings for accessories

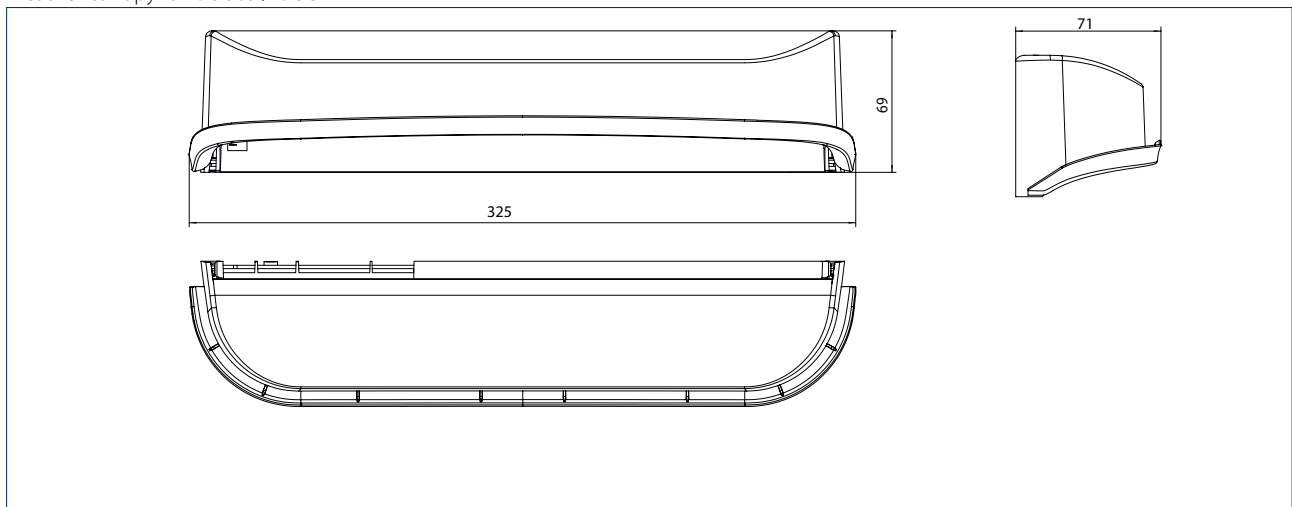
Ceiling installation kit for GC 365 / GC 341



Ceiling bracket for GC 365 / GC 341



Weather canopy for GC 365 / GC 341



GEZE GC 341 - Order information

Description	Version	ID no.
GEZE GC 341 Self-monitored light curtain for safeguarding automatic doors		160285
Zubehör		
Ceiling bracket GC 365 / GC 341	black	160286
Rain cover for GC 365 / GC 341 Protection against rainfall in the outdoor area	black	160287
Ceiling installation kit GC 365 / GC 341 Installation kit for integrating the detector into the ceiling	black	160288
GEZE infrared detector Device for determining the position of infrared curtains		112321



Bannockburn Visitor Centre, Stirling, Scotland (Photo: Ian Arthur)

GEZE active infrared light curtain GC 339

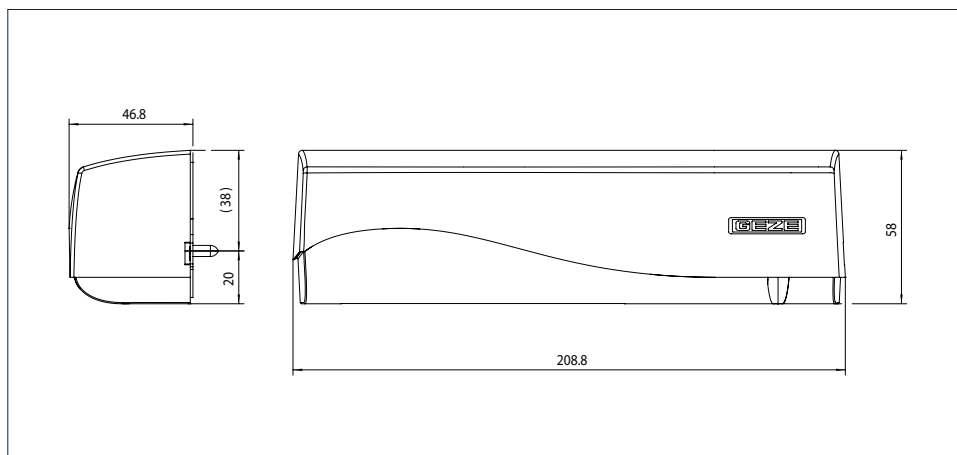
Self-monitored light curtain for protecting automatic doors, suitable for GEZE GC 363

The GEZE GC 339 can be used as a safeguarding sensor on automatic sliding, folding, revolving and circular sliding doors. It meets all demands of DIN 18650 and EN 16005. The sensor can be used on inside and outside areas. As a safeguarding sensor on automatic doors without protective door leaf it guarantees safety in hazardous areas of the secondary closing edge. Light curtains have an invisible and non-contact protective device. Precise detection is possible through a clearly defined field, the size of which can be adjusted. Installation, configuration and design correspond to the combined detector GEZE GC 363.

GEZE GC 339



GEZE GC 339

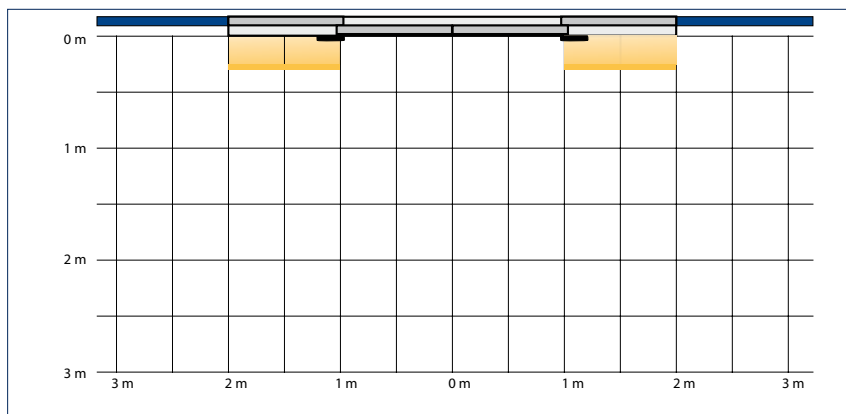


Application range

- Safeguarding and actuation of automatic sliding, folding, revolving and circular sliding doors
- Use in hazardous areas on the secondary closing edge without protective door leaf
- Pavements and passages, so that passing persons do not trigger an opening impulse
- Safeguarding automatic revolving sliding doors in accordance with EN 16005

Technical data

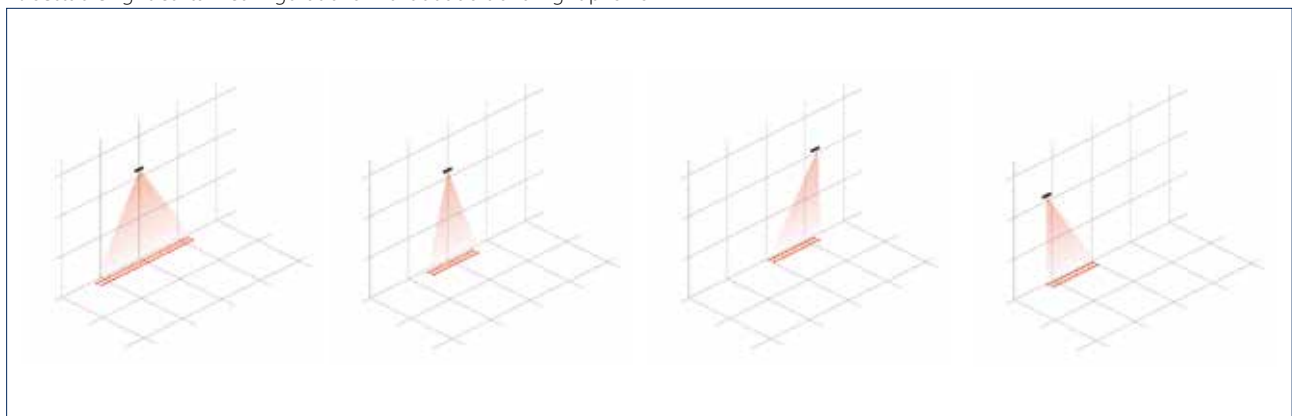
Product features	GEZE GC 339
Technology	Active infrared beams
Operating voltage	12-24 V DC/AC
Operating current	approx. 125 mA at 24 V DC
Output	Electric relay, 42 V DC max. switching voltage, 100 mA max. switching current
Connection type	System plug-type connector
Height	58 mm
Width	209 mm
Depth	47 mm
Installation height (min.)	2000 mm
Installation height (max.)	3000 mm
Connection cable	2600 mm
Weight	250 g
IP rating	IP 54
Operating temperature	-25 – 55 °C
Humidity	0-95 % relative, non-condensing
Approvals	DIN 18650, EN 16005

Detection area and application example

Active infrared light curtain Narrow field: 0.36 x 0.35 m, wide field: 2.2 x 0.35 m (W x D)

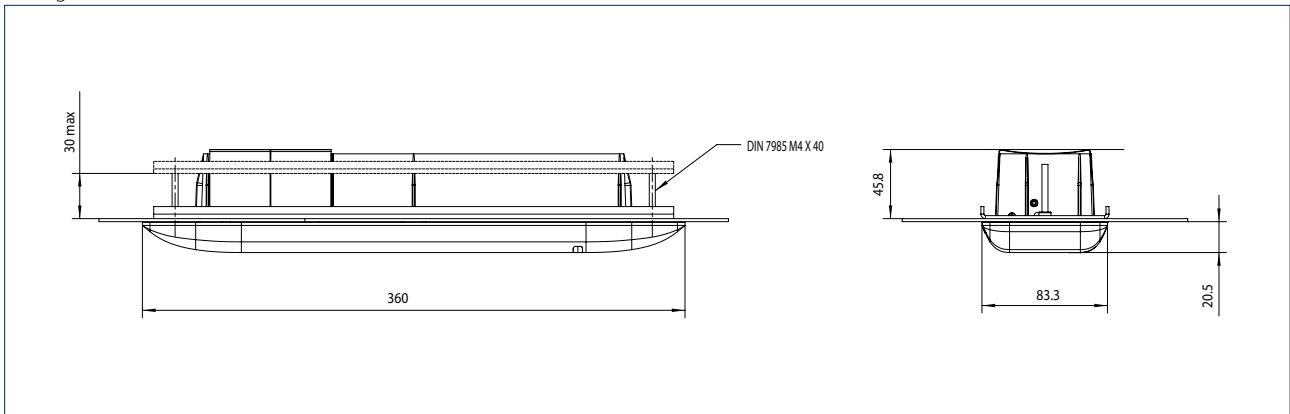
Given values measured at installation height 2.2 m

10 settable light curtain configurations without additional light prisms

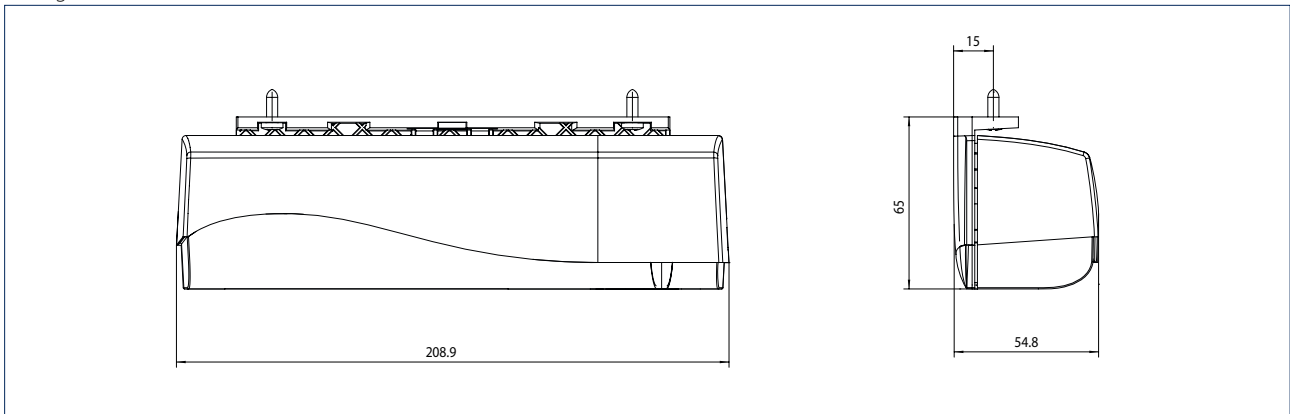


Dimensional drawings for accessories

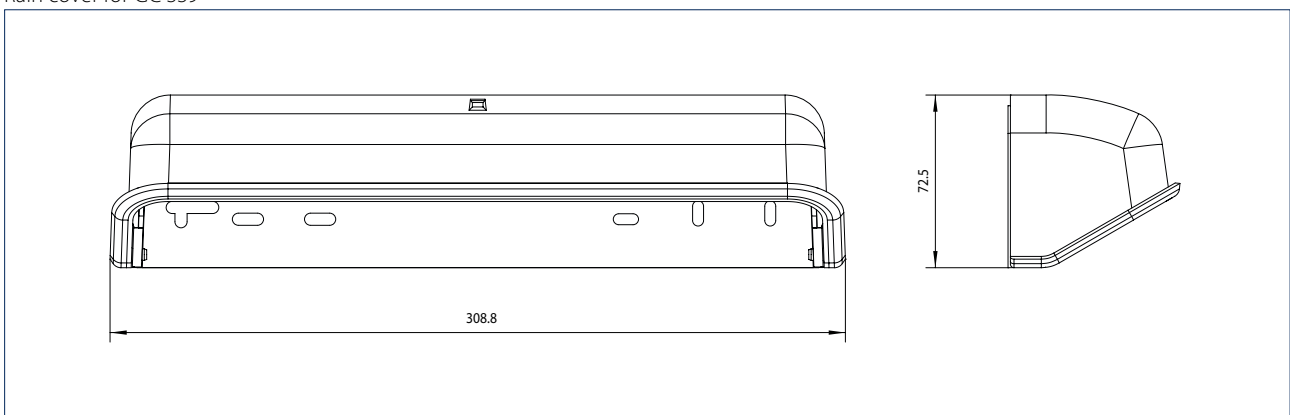
Ceiling installation kit for GC 339



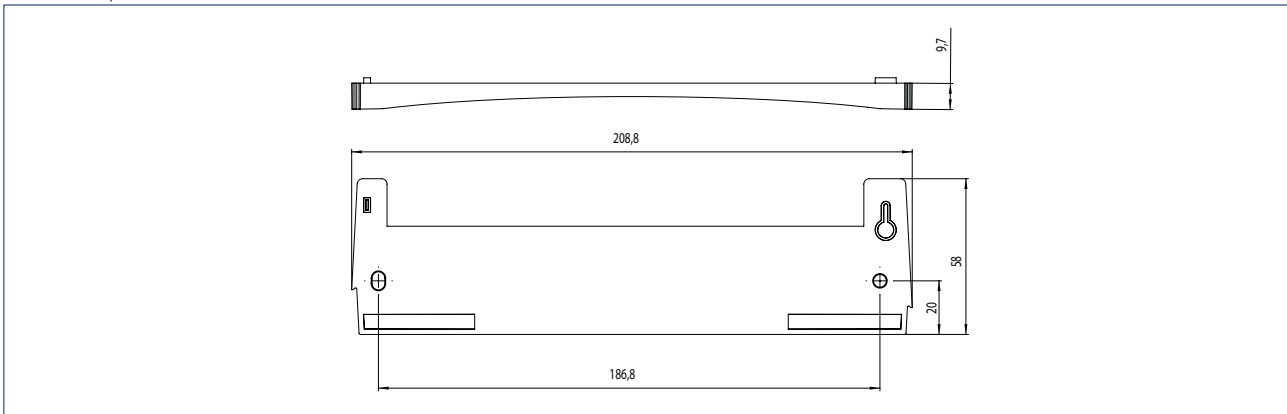
Ceiling bracket for GC 339



Rain cover for GC 339



Curved adaptor for GC 339

**GEZE GC 339 - Order information**

Description	Version	ID.No.
GEZE GC 339	black	151251
Self-monitored light curtain for protecting automatic doors, suitable for GEZE GC 363	acc. to RAL	151252
Accessories		
Ceiling bracket GC 339	black	153568
Curved adaptor for GC 339		151540
Rain cover for GC 363, GC 339, GC 362, GC 333		
Protection against rainfall in the outdoor area	transparent	126830
Remote control GC 363, GC 339, GC 362, GC 333, GC 304, Activ S GE		
Setting and programming of GC 363, GC 339, GC 362, GC 333, GC 304 and Activ S GE	black	100061
GEZE infrared detector		
Device for determining the position of infrared curtains		112321

GEZE active infrared light curtain GC 333 C

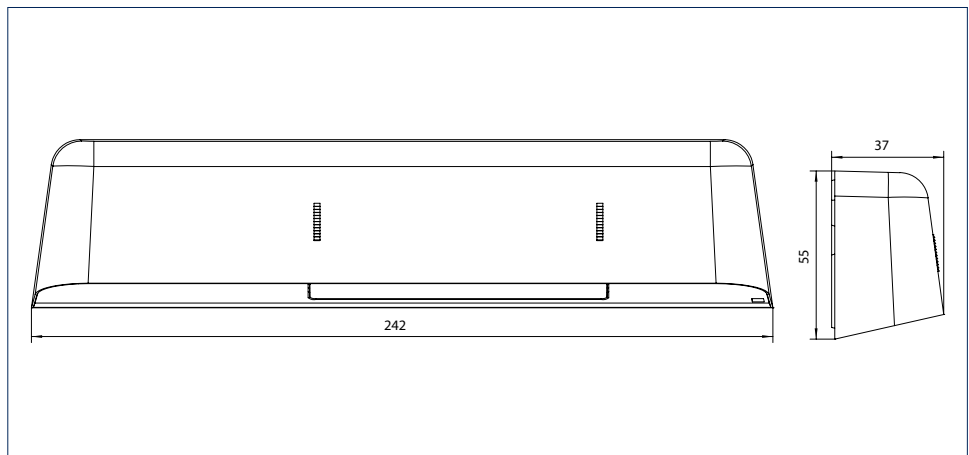
Self-monitored light curtain for safeguarding the leading mullion of automatic revolving sliding doors

The GEZE GC 333 C is used to safeguard the leading mullion of revolving sliding doors in accordance with DIN 18650. The sensor can be used on inside and outside areas. The light curtain has an invisible and non-contact protective device. Precise detection is possible through a clearly defined field, the size of which can be adjusted. Installation, configuration and design correspond to the combined detector GEZE GC 362.

GEZE GC 333 C



GEZE GC 333 C



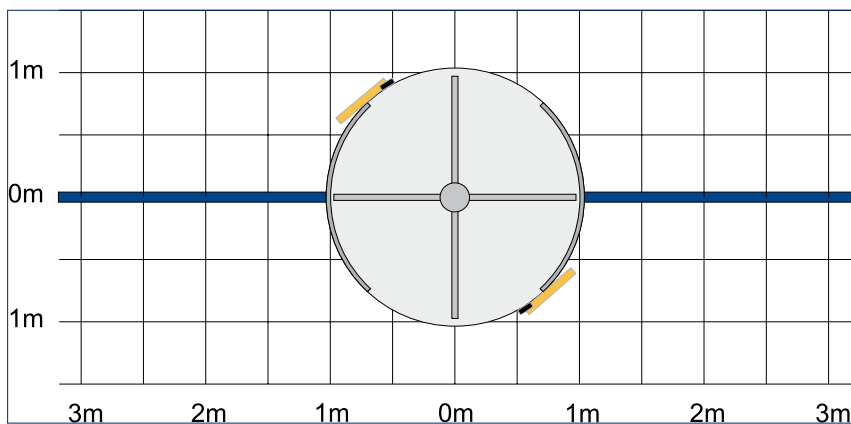
Application range

- Safeguarding automatic revolving sliding doors in accordance with DIN 18650
- Use in hazardous areas of revolving doors for safeguarding the leading mullion

Technical data

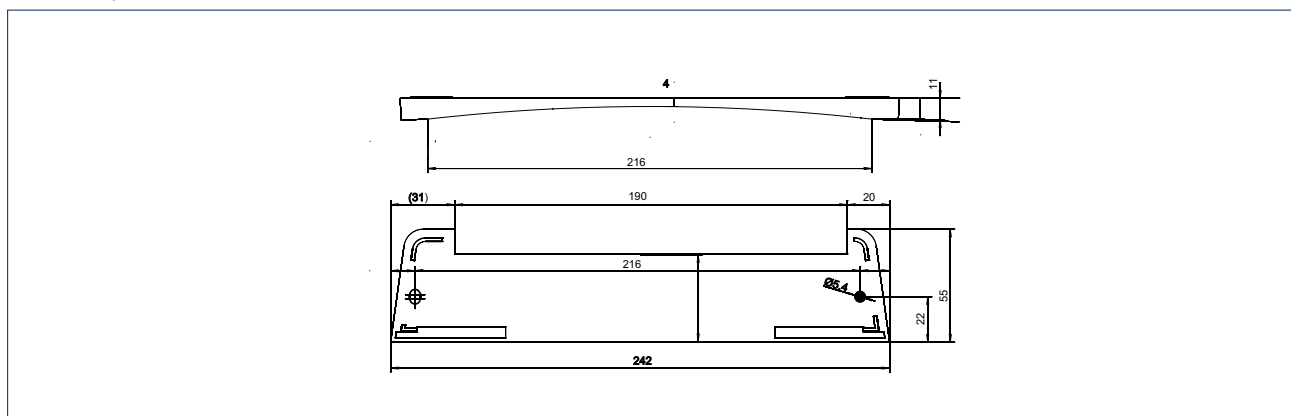
Product features	GEZE GC 333 C
Technology	Active infrared beams
Operating voltage	12-24 V DC/AC
Operating current	approx. 125 mA at 24 V DC
Output	Electric relay, 42 V DC max. switching voltage, 100 mA max. switching current
Height	55 mm
Width	242 mm
Depth	37 mm
Installation height (min.)	1800 mm
Installation height (max.)	2700 mm
Connection cable	2500 mm
Weight	250 g
IP rating	IP 54
Operating temperature	-25 – 55 °C
Humidity	< 90 % relative, non-condensing
Approvals	CE according to EMC Directive 89/336 EEC

Detection area and application example



Dimensional drawings for accessories

Curved adaptor for GC 333 C



GEZE GC 333 C - Order information

Description	Version	ID.No.
GEZE GC 333 C Self-monitored light curtain for the safeguarding and actuation of automatic doors	black	127093
Accessories		
GEZE infrared detector Device for determining the position of infrared curtains		112321
Remote control GC 333, GC 362 Setting and programming of GC 362, GC 333, GC 304 and Activ S GE	black	100061
Curved adaptor for GC 333 C		136404

GEZE combined detector GC 365

Combined detector for the actuation and safeguarding of automatic sliding doors

The new GEZE combined detector GC 365 fulfils the demands for the activation and safeguarding of linear single and double-leaf sliding doors in accordance with DIN 18650 and EN 16005. It guarantees reliable detection even when mounted at a height of 3500 mm. Fewer sensors are necessary thanks to the large field width on the floor. The so-called „lookback curtain“, a third presence sensor, checks whether there is anyone present between the door leaves and thus increases safety in the closing section. The sensor does not have a graphic display for parameter setting or fault analysis and is thus a low-cost alternative. Installation and parameter setting are possible without installation instructions thanks to compact instructions on the sensor. Commissioning is carried out by simply removing the cover. The sensor can be used in inside and outside areas.

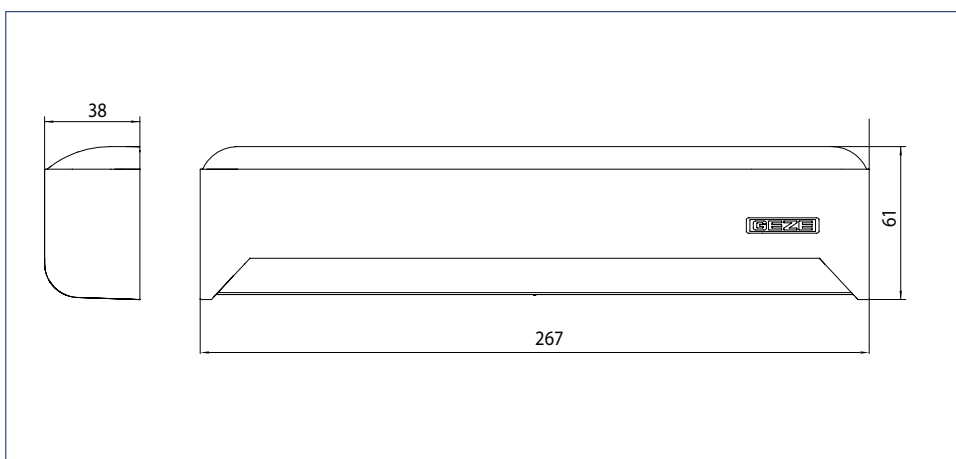
Special version

GC 365 SF: offers maximum safety thanks to integrated self-monitoring function, and is thus approved for use on escape and rescue routes.

GEZE GC 365



GEZE GC 365



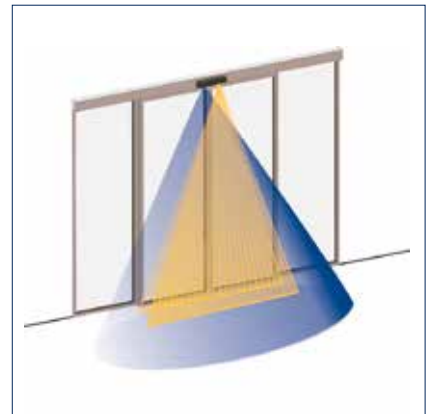
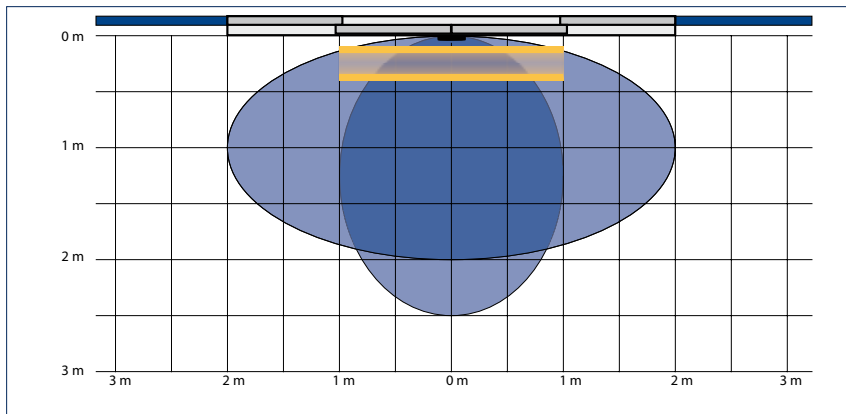
Area of application

- Actuation and safeguarding of automatic sliding doors
- Version SF: for use in emergency exits

Technical data

Product features	GEZE GC 365
Technology	Electromagnetic radar waves/active infrared beams
Operating voltage	12-30 V DC / 12-24 V AC
Operating current	approx. 100 mA
Output	Radar GC 365 R: Relay (potential-free contact), 50 V DC max. switching voltage, 300 mA max. output current Radar GC 365 SF: Transistor (opto-coupler, potential-free), 50 V DC max. switching voltage, 300 mA max. output current Light curtain: Electric relay, 50 V DC max. switching voltage, 100 mA max. output current
Connection type	System plug-type connector
Height	61 mm
Width	267 mm
Depth	38 mm
Installation height (min.)	2000 mm
Installation height (max.)	3500 mm
Connection cable	3000 mm
Weight	270 g
IP rating	IP 54
Operating temperature	-20 - 55 °C
Humidity	0-80 % relative, non-condensing
Approvals	DIN 18650, EN 16005

Detection area and application example

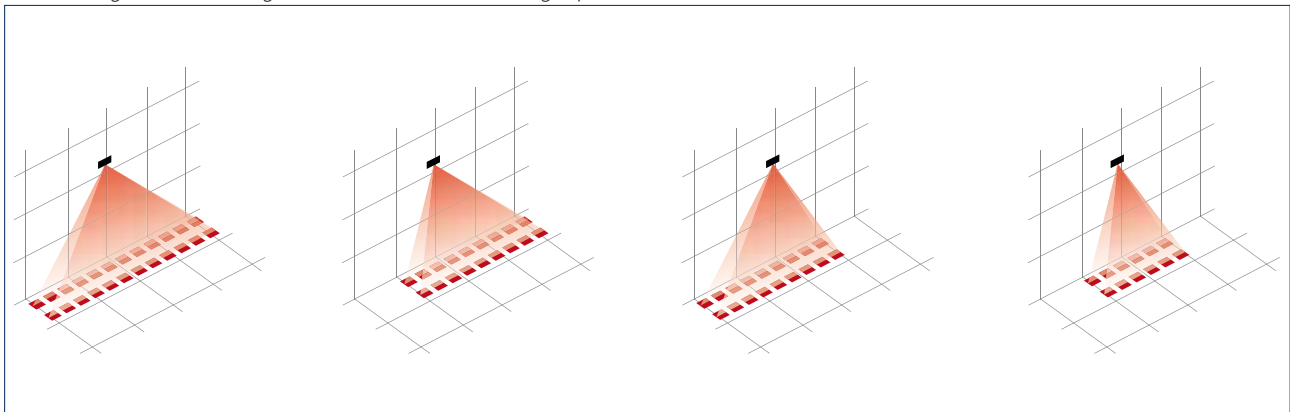


Radar field Narrow field (1): 2.0 x 2.5 m (B x T), Wide field (2): 4.0 x 2.0 m (B x T)

Active infrared light curtain Narrow field: 1.12 x 0.25 m, Wide field: 2.65 x 0.25 m

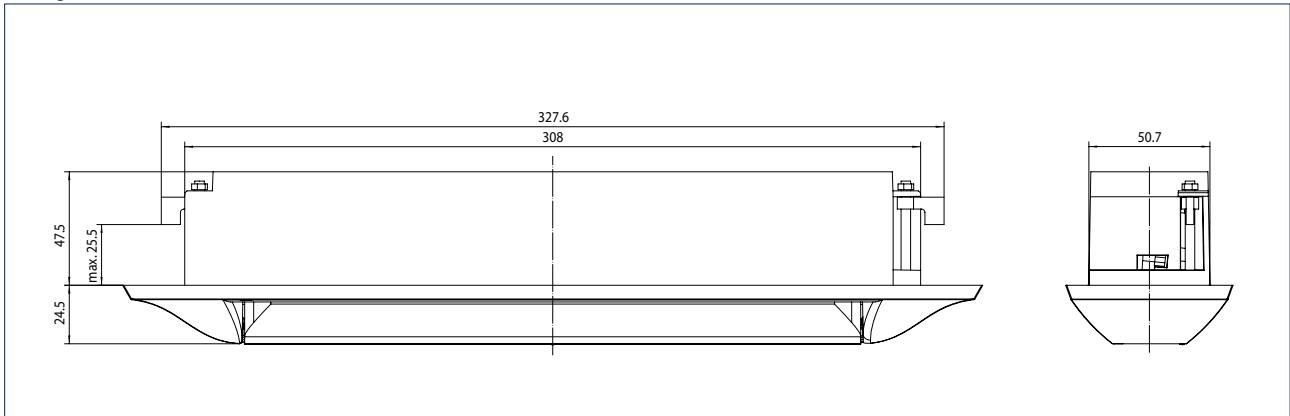
Given values measured at installation height 2.2 m

4 settable light curtain configurations without additional light prisms

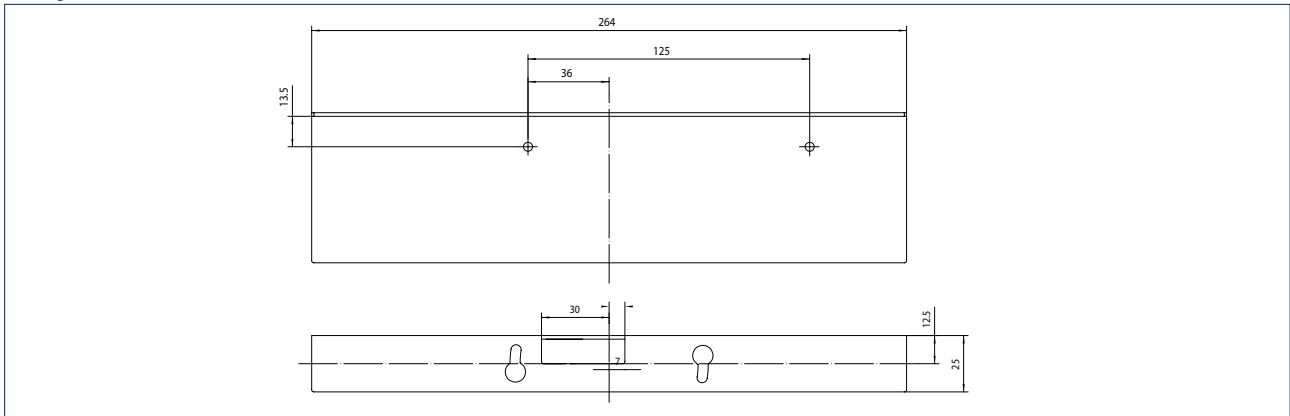


Dimensional drawings for accessories

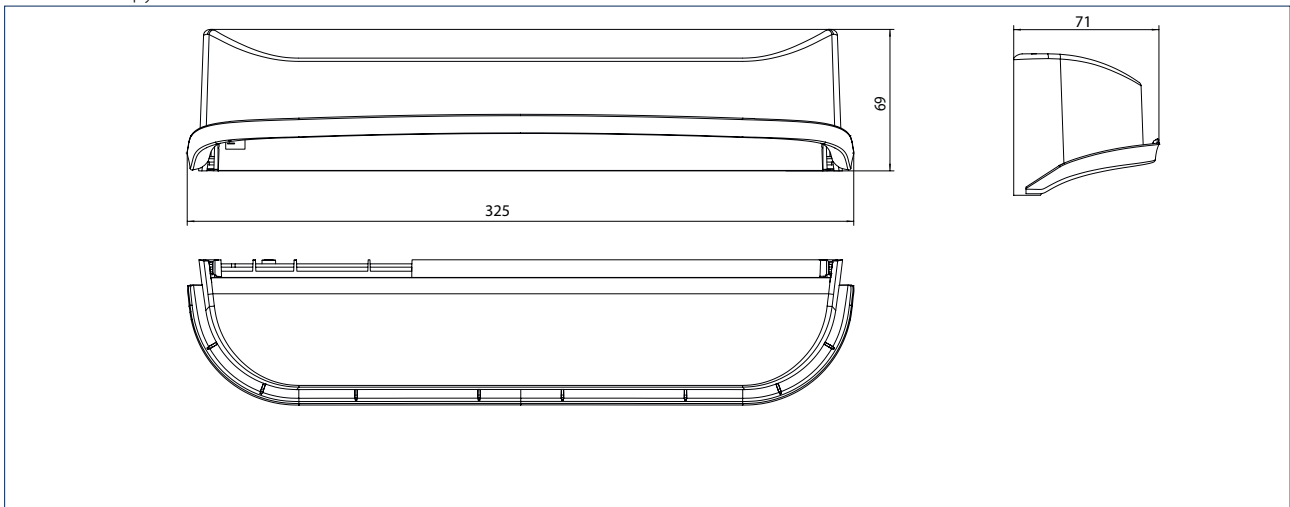
Ceiling installation kit for GC 365 / GC 341



Ceiling bracket for GC 365 / GC 341



Weather canopy for GC 365 / GC 341



GEZE GC 365 - Order information

Description	Version	ID no.
Combined detector GC 365 R Combined detector for the actuation and safeguarding of automatic sliding doors	black	160283
Combined detector GC 365 SF Combined detector for the actuation and safeguarding of automatic sliding doors	black	160284
Zubehör		
Ceiling bracket GC 365 / GC 341	black	160286
Rain cover for GC 365 / GC 341 Protection against rainfall in the outdoor area	black	160287
Ceiling installation kit GC 365 / GC 341 Installation kit for integrating the sensor into the ceiling	black	160288
GEZE infrared detector Device for determining the position of infrared curtains		112321



Bannockburn Visitor Centre, Stirling, Scotland (Photo: Ian Arthur)

GEZE combined detector GC 363

Combined detector for the actuation and protection of automatic sliding doors

Combined detectors are radar movement detectors using an infrared light curtain. The GEZE GC 363 fulfils the demands for the actuation and safeguarding of automatic sliding doors in accordance with DIN 18650 and EN 16005. The sensor can be used for inside and outside areas. It guarantees reliable detection with direction detection even in sensitive environments e.g. with reflective floors and HF lamps. The field size and immunity parameters can be used to set up cross-traffic fade-out to prevent doors opening unintentionally in narrow shopping arcades. Installation effort is reduced thanks to the combination of actuation and safeguarding in one device. Individual attachment possibilities through wall, ceiling or integrated ceiling recess installation provide lots of design freedom. The system is commissioned via remote control.

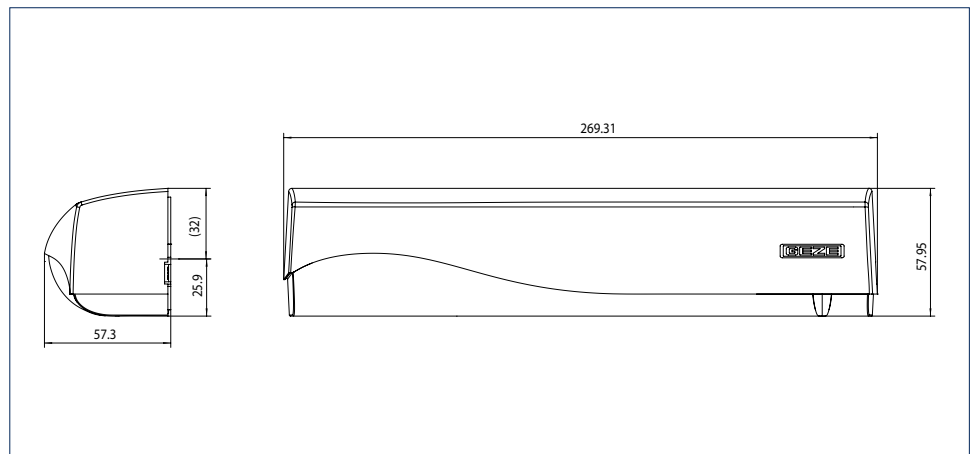
Special version

GC 363 SF: offers maximum security thanks to integrated self-monitoring, and is thus approved for use in emergency exits.

GEZE GC 363



GEZE GC 363



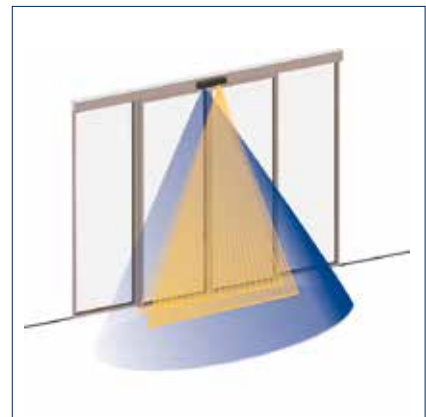
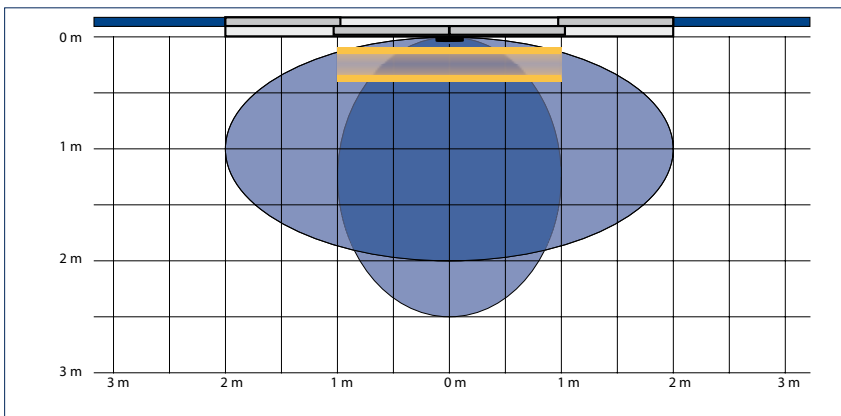
Application range

- Actuation and safeguarding of automatic sliding doors
- Version SF: for use in emergency exits

Technical data

Product features	GEZE GC 363
Technology	Electromagnetic radar waves/active infrared beams
Operating voltage	12-24 V DC/AC
Operating current	approx. 125 mA at 24 V DC
Output	Radar GC 363 R: relay (potential-free contact), 42 V DC max. switching voltage, 1 A max. output current Radar GC 363 SF: transistor (opto-coupler, potential-free), 42 V DC max. switching voltage, 100 mA max. output current Light curtain: electric relay, 42 V DC max. switching voltage, 100 mA max. output current
Connection type	System plug-type connector
Height	58 mm
Width	270 mm
Depth	58 mm
Installation height (min.)	2000 mm
Installation height (max.)	3500 mm
Connection cable	2600 mm
Weight	250 g
IP rating	IP 54
Operating temperature	-25 – 55 °C
Humidity	0-95 % relative, non-condensing
Approvals	DIN 18650, EN 16005

Detection area and application example

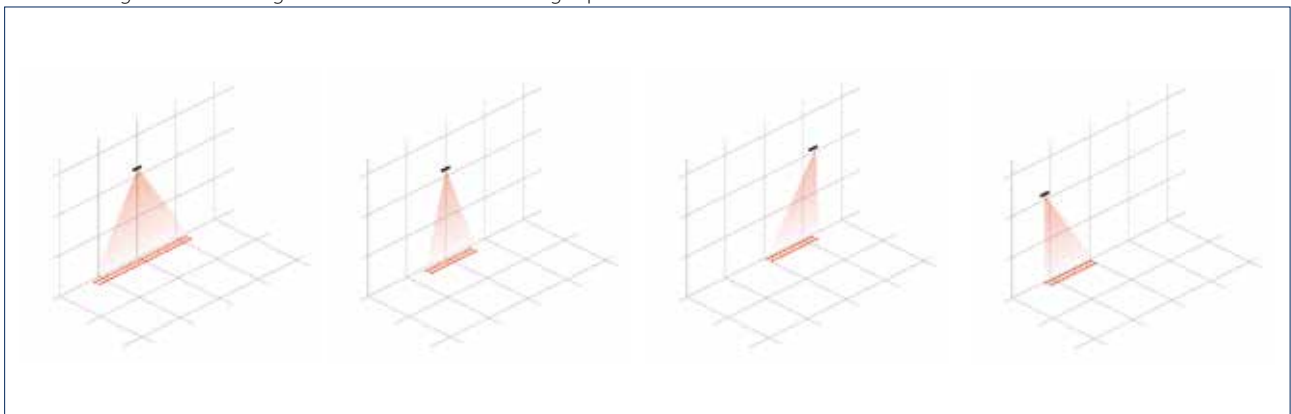


Radar field Narrow field (1): 2.0 x 2.5 m (W x D), wide field (2): 4.0 x 2.0 m (W x D)

Active infrared light curtain Narrow field: 0.36 x 0.35 m, wide field: 2.2 x 0.35 m (W x D)

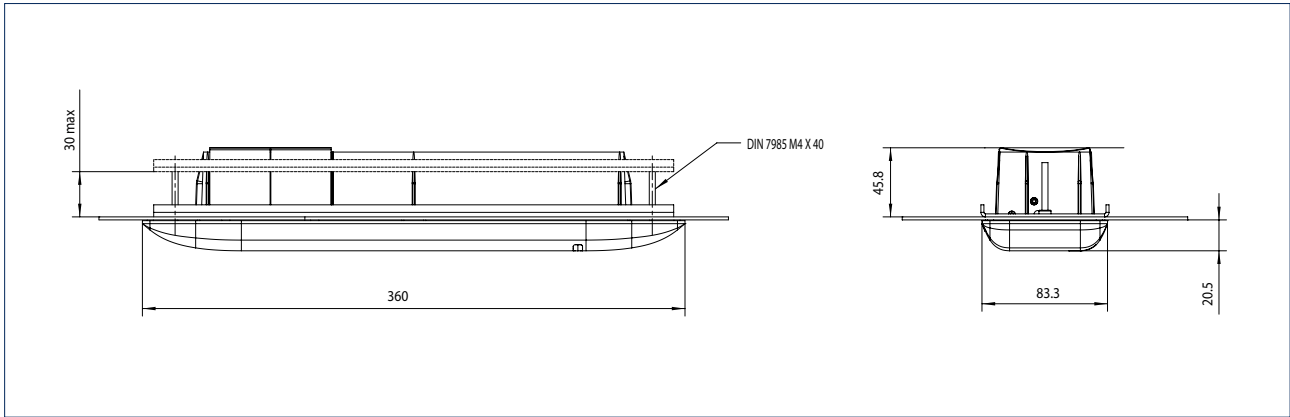
Given values measured at installation height 2.2 m

10 settable light curtain configurations without additional light prisms

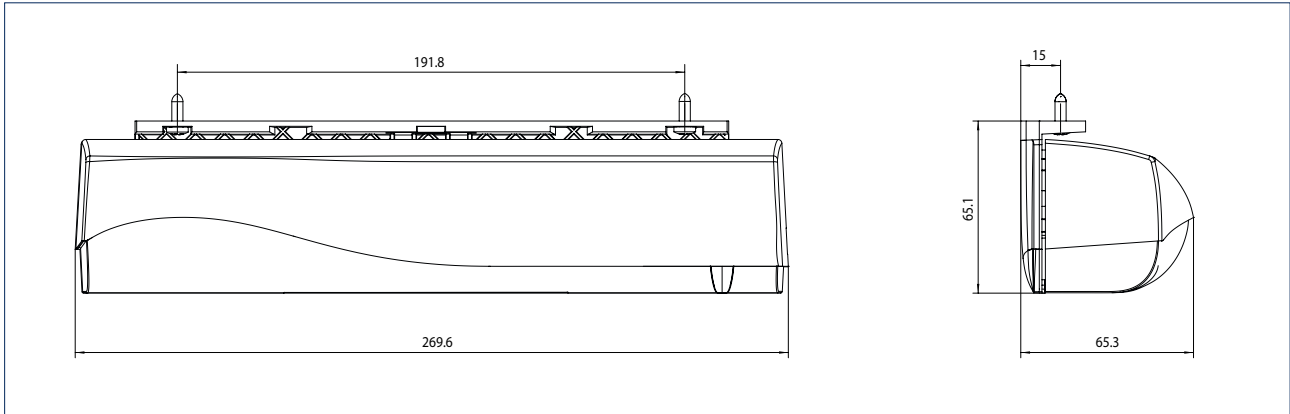


Dimensional drawings for accessories

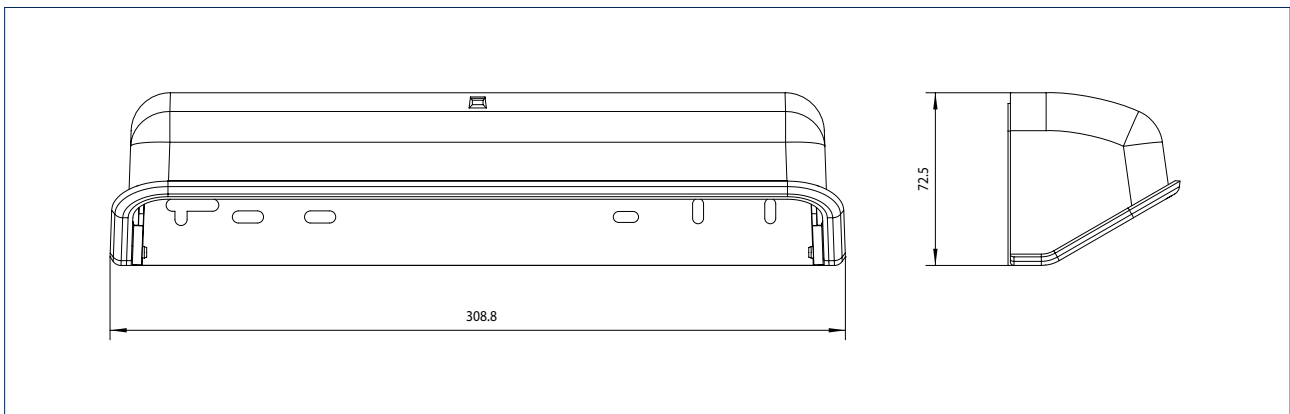
Ceiling installation kit for GC 363



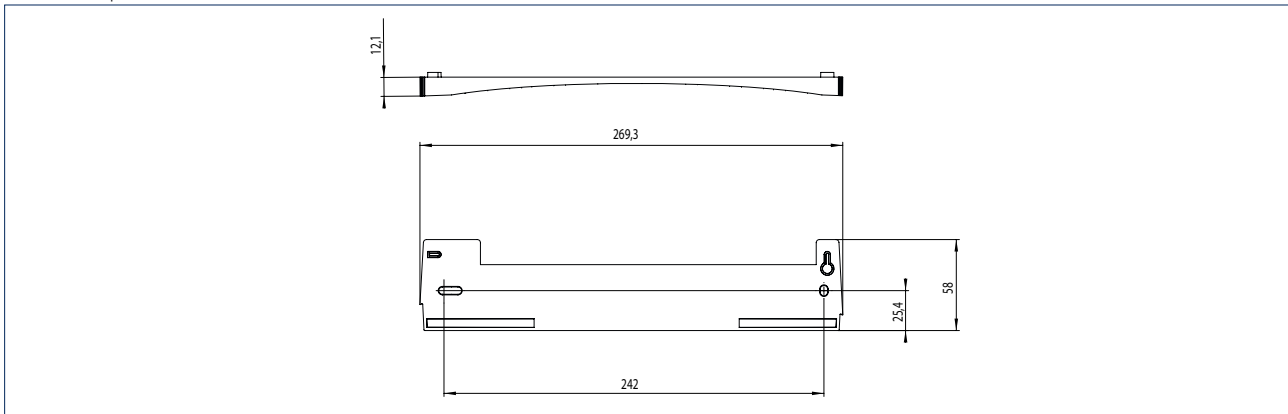
Ceiling bracket for GC 363



Rain cover for GC 363



Curved adaptor for GC 363

**GEZE GC 363 - Order information**

Description	Version	ID.No.
GEZE Combined detector GC 363 R Combined detector for the actuation and protection of automatic sliding doors	black acc. to RAL	151237 151238
GEZE Combined detector GC 363 SF Combined detector for the actuation and protection of automatic sliding doors	black acc. to RAL	151239 151240
Accessories		
Ceiling bracket GC 363	black	151256
Ceiling installation kit GC 363 / GC 339 Installation kit for integrating the sensor into the ceiling	white black	151254 151253
Curved adaptor for GC 363		151255
Rain cover for GC 363, GC 339, GC 362, GC 333 Protection against rainfall in the outdoor area	black	158250
Remote control GC 363, GC 339, GC 362, GC 333, GC 304, Activ S GE Setting and programming of GC 363, GC 339, GC 362, GC 333, GC 304 and Activ S GE	black	100061
GEZE infrared detector Device for determining the position of infrared curtains		112321
Interface GC 363 S Interface for the series switching of several self-monitored GC 363 SF combined detectors for the variants FR-RWS, FR-LL and FR-DUO		151361

GEZE programme switches

Programme switches for selection of the operational state of automatic doors

GEZE offers programme switches for various individual requirements. The switches can be universally used - for surface and flush-mounting. The GEZE switch programme comprises of display programme switches (DPS), keypad programme switches (TPS) and mechanical programme switches (MPS). Up to 5 different operating modes can be set: Off, Night, Shop closing, Automatic and Permanently open. Key push buttons or switches with password protection are available for the authorised use in emergency exits.



Keypad programme switch (TPS)



Keypad programme switch with key push button (TPS-SCT)



Mechanical programme switch (MPS)



Mechanical programme switch with key (MPS-ST)



Mechanical program switch with rotary knob (MPS-D)



Mechanical programme switch with key (MPS-D-ST)



Display programme switch (DPS) with OFF key



Display programme switch (DPS) without OFF key



Display programme switch with key push button (DPS-SCT) and OFF key

Application range

- For surface- and flush-mounting
- Compatible with: Jung AS 500, A plus, Gira: Standard 55, E2, Esprit, Event, stainless steel (with intermediate frame Gira 028920), Merten: M-Smart, M-Plan, Berker: B.1, B.7

GEZE ACTUATION DEVICES / SENSOR SYSTEMS

	TPS	TPS-SCT	MPS	MPS-ST	MPS-D	MPS-D-ST	DPS	DPS-SCT
ECdrive Slimdrive SL Powerdrive	•	•	•	•			•	•
ECdrive-FR Slimdrive SL-FR Powerdrive FR	•****	•		•			•****	•
ECturn	•	•						
Slimdrive EMD / -F	•	•	•	•	•	•	•	•
TSA 160 NT /-F	•**	•**	•	•	•	•	•**	•**
TSA 150 / TSA 160					•	•		
TSA 325 NT	•***	•***						
Operation	Push buttons	Push buttons + key	Rotary knob	Key	Rotary knob	Key	Push buttons	Push buttons + key
Functionality	Selection of operating mode	Selection of operating mode with authorisation	Selection of operating mode	Selection of operating mode with keyed alike key	Selection of operating mode	Selection of operating mode with keyed alike key	Parameter setting, commissio- ning and selection of the operating mode	Parameter setting, commissio- ning and selection of the operating mode with authorisation
Error display	via LED blink code	via LED blink code	via LED warning light	via LED warning light			via numerical code	via numerical code
Version	flush-moun- ted/surface- mounted*	flush-moun- ted/surface- mounted*	flush-moun- ted/surface- mounted*	flush-moun- ted/surface- mounted*	flush-moun- ted/surface- mounted*	flush-moun- ted/surface- mounted*	flush-moun- ted/surface- mounted*	flush-moun- ted/surface- mounted*
IP rating	IP 40	IP 40	IP 40	IP 40	IP 40	IP 40	IP 40	IP 40
Dimensions (WxHxD)	80 x 80 x 11 mm (flush- mounted) 80 x 80 x 47 mm (surface- mounted*)	80 x 152 x 11 mm (flush- mounted) 85 x 156 x 47 mm (surface- mounted*)	80 x 80 x 22 mm (flush- mounted) 80 x 80 x 58 mm (surface- mounted*)	80 x 80 x 18 mm (flush- mounted) 80 x 80 x 54 mm (surface- mounted*)	80 x 80 x 22 mm (flush- mounted) 80 x 80 x 58 mm (surface- mounted*)	80 x 80 x 18 mm (flush- mounted) 80 x 80 x 54 mm (surface- mounted*)	80 x 80 x 11 mm (flush- mounted) 80 x 80 x 47 mm (surface- mounted*)	80 x 152 x 11 mm (flush- mounted) 85 x 156 x 47 mm (surface- mounted*)
ID no.:	113231	113232	113226	113227	118417	118418	151524 (with OFF key) 155809 (without OFF key)	155810

* Please order the respective surface-mounting box for surface-mounting installation.

** Can be used from DCU5 with rev. B

*** Special version for revolving doors with "manual" operating mode: TPS-KDT (ID no.: 126582), TPS-KDT-SCT (ID no.: 126583)

**** Can be used from DCU 1-2 M V 3.0 with password protection

GEZE key push buttons

Key push buttons for opening automatic doors with authorisation

GEZE key push buttons are offered for a wide range of installation possibilities: wall, floor or ceiling installation. All key push buttons can be used for inside and outside areas.



Burglary-resistant key push button (1)



Burglary-resistant key push button (2)



Key push button stainless steel (1)



Key push button plastic AS 500



Key push button stainless steel (2)



Key push button stainless steel (3)



Main switch (1)



Main switch (2)

Application range

- Actuation of automatic swing, sliding, folding, revolving and circular sliding doors
- Can be used for inside and outside areas as contact authorisation

GEZE ACTUATION DEVICES / SENSOR SYSTEMS

	Burglary-resistant key push button (1)	Burglary-resistant key push button (2)	Key push button stainless steel (2)	Key push button plastic AS 500
Specification	<ul style="list-style-type: none"> 1-pole closing contact Switching voltage: max. 230 V AC Switching current: max. 5 A Spring return, one side 	<ul style="list-style-type: none"> 1-pole closing contact Switching voltage: max. 230 V AC Switching current: max. 5 A Spring return, one side 	<ul style="list-style-type: none"> 1-pole closing contact Switching voltage: max. 230 V AC Switching current: max. 5 A Spring return, one side 	<ul style="list-style-type: none"> 1-pole closing contact Switching voltage: max. 240 V AC Switching current: max. 4 A Spring return, one side
Version	flush-mounted (not for standard flush-mounted box)/surface-mounted	flush-mounted (not for standard flush-mounted box)/surface-mounted	flush-mounted	flush-mounted/surface-mounted*
IP rating	IP 54	IP 54	IP 54	IP 20
Dimensions	75 x 75 x 11 mm (flush-mounted) 75 x 75 x 50 mm (surface-mounted)	75 x 75 x 11 mm (flush-mounted) 75 x 75 x 50 mm (surface-mounted)	79 x 79 x 13 mm	80 x 80 x 11 mm
Accessories	<ul style="list-style-type: none"> Profile cylinder, ID no. 090176 		<ul style="list-style-type: none"> Profile cylinder, ID no. 090176 	<ul style="list-style-type: none"> *Surface-mounted box, ID no. 120503 Switching contact, ID no. 024467 Profile cylinder, ID no. 090176
ID no.	054240 (flush-mounted) 054532 (surface-mounted)	054245 (flush-mounted) 054533 (surface-mounted)	098870	117996

	Key push button stainless steel (2)	Key push button stainless steel (3)	Main switch (1)	Main switch (2)
Specification	<ul style="list-style-type: none"> 2-pole closing contact Switching voltage: max. 230 V AC Switching current: max. 5 A Latching, on both sides (key can be removed in position 1) 	<ul style="list-style-type: none"> 2-pole closing contact Switching voltage: max. 230 V AC Switching current: max. 5 A Latching on both sides or spring return (key can be removed in position 1) 	<ul style="list-style-type: none"> Mains switch Switching voltage: max. 250 V AC Switching current: max. 16 A Key can be removed in position 1 and 0 	<ul style="list-style-type: none"> Mains switch Switching voltage: max. 250 V AC Switching current: max. 16 A Key can be removed in position 1 and 0
Version	flush-mounted	surface-mounted	flush-mounted	surface-mounted
IP rating	IP 54	IP 54	IP 54	IP 54
Dimensions	79 x 79 x 13 mm	75 x 74 x 66 mm	90 x 90 x 9 mm	90 x 121 x 72 mm
Accessories	<ul style="list-style-type: none"> Profile cylinder, ID no. 090176 			
ID no.	111357	137056	018433	018354

GEZE safety switches and buttons

Safety switches and buttons used to deactivate the mains power and to enable emergency opening of automatic doors

GEZE safety switches are equipped with a glass pane or a cover and thus offer protection against misuse. The switches are illuminated and can therefore be found easily even when it is dark.



Interruption button



Emergency stop switch with glass pane



Emergency opening button with glass pane



Emergency stop switch with palm button (1)



Emergency stop switch with palm button (2)



Emergency stop switch with palm button (3)



Emergency opening switch with safety case



Main switch (1)

Application range

- Safeguarding of automatic swing, sliding, folding, revolving and circular sliding doors
- Use in emergencies for switching off the power supply
- Use in emergencies for opening automatic doors
- Use during maintenance work for switching off the power supply
- Use for hold-open systems for manual release of the hold-open mechanism

GEZE ACTUATION DEVICES / SENSOR SYSTEMS

	Interruption button	Emergency stop switch with glass pane	Emergency opening button with glass pane	Emergency stop switch with palm button (1)
Specification	<ul style="list-style-type: none"> 1-pole changeover contact Switching voltage: max. 250 V AC Switching current: approx. 10 A 	<ul style="list-style-type: none"> 1-pole changeover contact Switching voltage: max. 250 V AC Switching current: max. 10 A 	<ul style="list-style-type: none"> 1-pole changeover contact Switching voltage: max. 250 V AC Switching current: approx. 10 A 	<ul style="list-style-type: none"> Contact system 1 opener / 1 closer Switching voltage: max. 230 V AC Switching current: max. 10 A Lighting: 24 V DC at 15 mA
Version	flush-mounted/surface-mounted*	flush-mounted/surface-mounted*	flush-mounted/surface-mounted*	flush-mounted
IP rating	IP 40	IP 20	IP 20	IP 40
Dimensions	80 x 80 x 9 mm	80 x 80 x 21 mm	80 x 80 x 21 mm	80 x 80 x 49 mm
Accessories	*Surface-mounted box, ID no.: 120503	*Surface-mounted box, ID no.: 120503 • Spare glass panel, ID no.: 010994	*Surface-mounted box, ID no.: 120503 • Spare glass panel, ID no.: 010994	• 2nd opening contact, ID no.: 100204
ID no.	116266	120881	120880	123132

	Emergency stop switch with palm button (2)	Emergency stop switch with palm button (3)	Emergency opening switch with safety case	Main switch
Specification	<ul style="list-style-type: none"> Contact system 1 opener / 1 closer Switching voltage: max. 230 V AC Switching current: max. 10 A Lighting: 24 V DC at 15 mA 	<ul style="list-style-type: none"> Contact system 1 opener / 1 closer Switching voltage: max. 230 V AC Switching current: max. 10 A Lighting: 24 V DC at 15 mA 	<ul style="list-style-type: none"> Closing contact Switching voltage: max. 24 V DC Switching current: max. 100 mA 	<ul style="list-style-type: none"> Contact system 3 closers Switching voltage: max. 230 V AC Switching current: max. 20 A
Version	surface-mounted	surface-mounted	surface-mounted	flush-mounted/surface-mounted
IP rating	IP 65	IP 30	IP 40	IP 54
Dimensions	94 x 94 x 122 mm	72 x 147 x 75.5 mm	125 x 125 x 32.5 mm	90 x 90 x 9 mm (flush-mounted) 90 x 121 x 72 mm (surface-mounted)
Accessories	• 2nd opening contact, ID no.: 100204	• 2nd opening contact, ID no.: 100204		
ID no.	076777	024535	067846	018433 (flush-mounted) , 018354 (surface-mounted)

GEZE smoke switch control unit RSZ 6

Smoke switch and power supply for all GEZE hold-open mechanisms

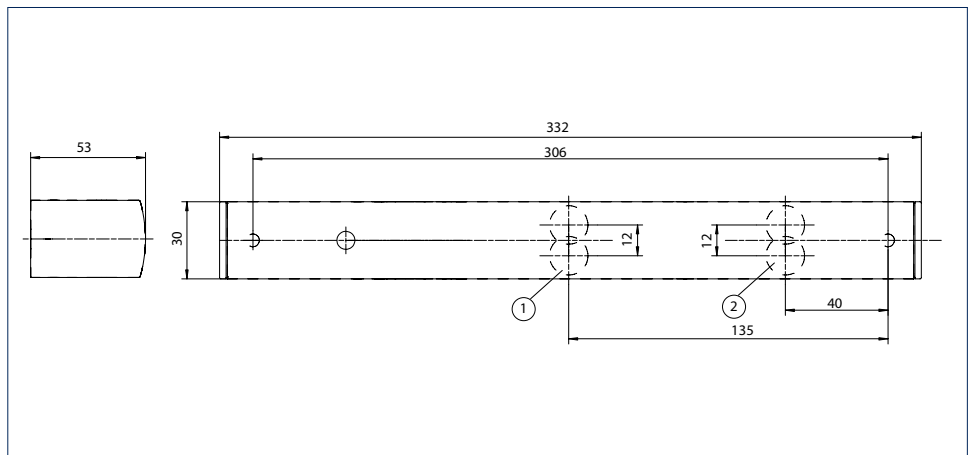
The GEZE smoke switch control unit RSZ 6 in the typical GEZE design has an overall height of 30 mm. It is connected to the 230 V power supply system and supplies the connected hold-open mechanisms reliably with 24 V DC voltage (max. 200 mA).

The smoke switch control unit is mounted on the vertical wall above the door opening, thus making the early detection of fire and smoke possible (please keep at least 20 mm clear of the ceiling). If an alarm is triggered, the voltage supply to the hold-open mechanisms (e.g. electrical hold-open device in the guide rail or holding magnet) is interrupted and the doors close immediately. The connection of two additional ceiling-mounted alarms may be necessary depending on requirements. The integrated smoke switch has an automatic adaptation of the alarm threshold. This compensates light soiling of the smoke chamber and increases service life. The current state of the smoke switch is shown by an optical signal.

GEZE smoke switch control unit RSZ 6



GEZE smoke switch control unit RSZ 6



- 1 = Additional connections
- 2 = Power supply UP 230 V AC

Application range

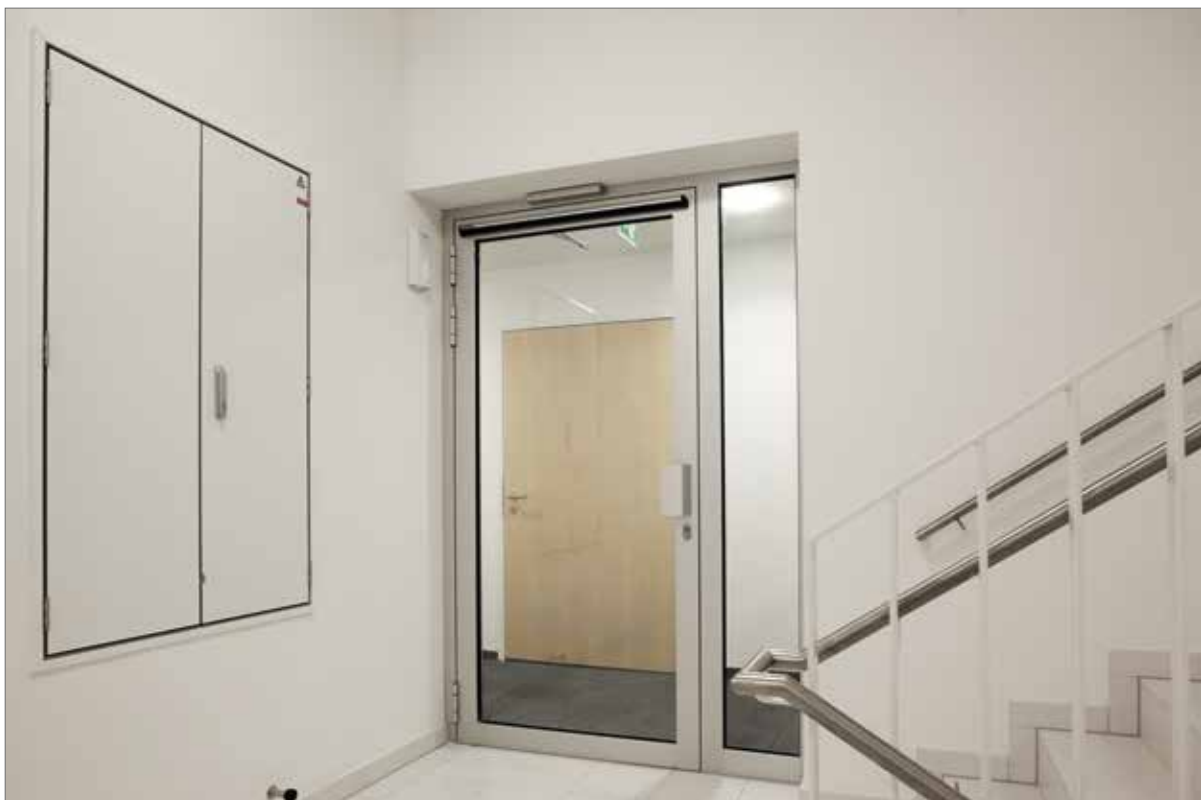
- Approved for use with all GEZE hold-open mechanisms

GEZE smoke switch control unit RSZ 6 - Order information

Description	Version	ID no.
GEZE smoke switch control unit RSZ 6 Smoke switch and power supply for all GEZE hold-open mechanisms	silver	099851
	dark bronze	099857
	white RAL 9016	099858
	simulated stainless steel ¹⁾	099856
	acc. to RAL ²⁾	099859
GEZE smoke switch control unit RSZ 6 ECwire (set) incl. 2 ceiling-mounted smoke detectors type GC 162 (white)	silver	154976
	white RAL 9016	154979
	simulated stainless steel ¹⁾	154991
acc. to RAL ²⁾	154980	
Zubehör		
GEZE smoke detector GC 152 Complete with base, 24 V DC, 20 mA, tested in accordance with EN54-7, with general approval for use with all GEZE hold-open systems, integrated line monitoring, in accordance with DIN EN 14637	white	139850
GEZE thermal detector GC 153 Complete with base, 24 V DC, 20 mA, tested in accordance with EN54-5, with general approval for use with all GEZE hold-open systems, integrated line control, in accordance with DIN EN 14637	white	139881
GEZE manual trigger switch AS 500 for the manual release of electrically controlled hold-open mechanisms including termina- ting resistance for line monitoring	alpine white/red	116266
GEZE manual trigger switch AS 500 (with glass pane and 5 interchangeable labels) for the manual release of electrically controlled hold-open mechanisms	alpine white/red	120880
Surface-mounted box, single Matching the AS 500 switch range	alpine white	120503
Replacement glass cover for GEZE manual trigger switch 120880 and 120881		010994

1) Only for dry rooms

2) Surcharge for RAL special colours, see General Information in the Price List.



Office building Z-UP, Stuttgart, Germany (Photo: N. Grünwald)

GEZE miscellaneous accessories

Accessories for special requirements for the operation and safety of automatic doors

GEZE offers different accessories for special requirements. The cast casings and the metal keyboard of the number code locks are especially helpful against vandalism.



Rotary switch contact



Profile cylinder for key push button



Profile cylinder for floor locks



Toplock CTI



Toplock CTI B with lighting



Toplock CTS V with metal keypad



Toplock CTI BV with lighting

Application range

- Actuation and safeguarding of automatic swing, sliding, folding, revolving and circular sliding doors
- Use as contactor when door handle is pressed
- Use for floor locking of sliding doors
- Use as access control for inside and outside areas

GEZE ACTUATION DEVICES / SENSOR SYSTEMS

	Rotary switch contact	Profile cylinder for key push button	Profile cylinder for floor locks
Specification	<ul style="list-style-type: none"> • Closing contact • Switching voltage: max. 24 V DC • Switching current: max. 35 mA • 4m connection cable 	<ul style="list-style-type: none"> • Profile cylinder for key push button 40 mm (10/30) one-sided locking, with 3 keys, ID no. 090176 	<ul style="list-style-type: none"> • Profile cylinder for floor locks 46 mm (9/37) one-sided locking, for ISO and toughened safety glass fittings, with 3 keys, ID no. 019053 • Profile cylinder for floor locks 66 mm (31/35) two-sided locking, for toughened safety glass fittings, with 3 keys, ID no. 091052 • Profile cylinder for floor locks 71 mm (31/40) two-sided locking, for ISO fittings, with 3 keys, ID no. 023356 • Profile cylinder for floor locks 66 mm (31/35) two-sided locking, packed in pairs, for toughened safety glass fittings, with 3 keys, ID no. 074861 • Profile cylinder for floor locks 71 mm (31/40) two-sided locking, packed in pairs, for ISO fittings, with 3 keys, ID no. 074862
Dimensions	23 x 39 x 8 mm	see specification	see specification
ID no.	081024	see specification	see specification

	Toplock CT I	Toplock CT I B with lighting	Toplock CTS V with metal keypad	Toplock CTS BV with lighting
Operating voltage	12 - 24 V DC / 12 V AC	12 - 24 V DC / 12 V AC	230 V AC	230 V AC
Output	potential-free closing contact 24 V DC 1 A	potential-free closing contact 24 V DC 1 A	potential-free relay output 250 V 5 A	potential-free relay output 250 V 5 A
IP rating	IP 65	IP 65	IP 65 (keypad), IP 43 (evaluation unit)	IP 65 (keypad), IP 43 (evaluation unit)
Dimensions	80 x 80 x 15 mm	60 x 126 x 22.5 mm	80 x 80 x 15 mm or 110 x 188 x 40 mm	60 x 126 x 22.5 mm or 110 x 188 x 40 mm
ID no.	090061	090063	090077	090079

References



Modern Art, Oxford, Great Britain (Photo: GEZE GmbH)



Office building Z-UP, Stuttgart, Germany (Photo: N. Grünwald)



Vitra Haus, Weil am Rhein, Germany (Photo: Oliver Look)



Four Elements, Düsseldorf, Germany (Photo: Lothar Wels)

You will find more product information in the relevant brochures, see ID numbers.

Door technology

01	Overhead door closers ID 091593, ID 091594
02	Hold-open systems ID 091593, ID 091594
03	Integrated door closers ID 091609
04	Floor springs ID 091607
05	Sliding door gear systems and linear guides ID 123605, ID 008770, ID 000586

Automatic door systems

06	Swing doors ID 144785
07	Sliding, telescopic and folding doors ID 143639
08	Circular and semi-circular sliding doors ID 135772
09	Revolving doors ID 132050
10	Actuation devices and sensors ID 142655

Smoke and heat extraction and window technology

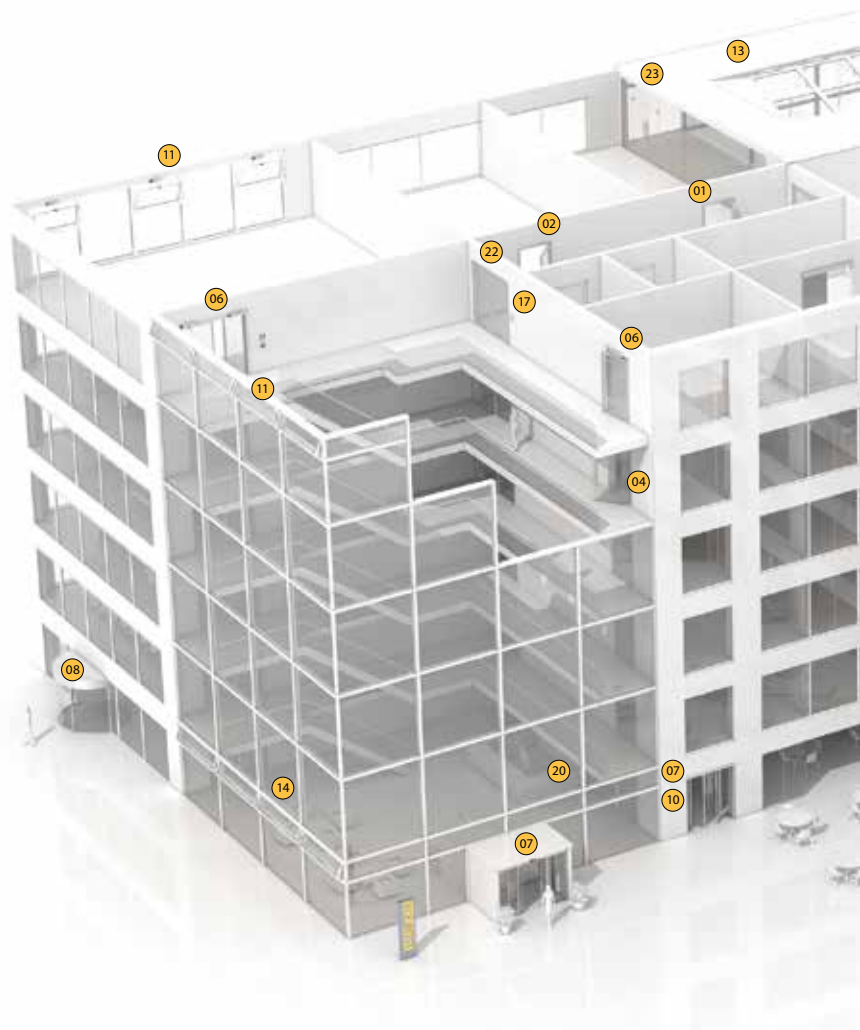
11	Fanlight opening systems ID 127787
12	Electric opening and locking systems ID 154851
13	Electrical spindle and linear drives ID 154851
14	Electric chain drives ID 154851
15	Smoke and heat extraction systems ID 154851

Safety technology

16	Emergency exit systems ID 132408
17	Access control systems ID 132158
18	Panic locks ID 132848
19	Electric strikes ID 148666
20	Building management system ID 132408

Glass systems

21	Manual sliding wall systems (MSW) ID 104377
22	Integrated all-glass systems (IGG) ID 104366
23	GEZE Patch fittings mono glass systems ID 122521



POTENTIAL APPLICATIONS OF GEZE PRODUCTS



Door technology

The functionality, superior performance and reliability of GEZE door closers are impressive. A common design across the range, the ability to use them on all common door leaf widths and weights, and the fact that they can be individually adjusted makes their selection simple. They are continually being improved and enhanced with up-to-date features. For example, the requirements of fire protection and accessibility are fulfilled with a door closer system.

Automatic door systems

GEZE automatic door systems open up a huge variety of options in door design. The latest, innovative high-performance drive technology, safety, ease of accessibility and first class universal drive design set them apart. GEZE offers complete solutions for individual requirements. A dedicated division is responsible for the development and construction of individual special designs.

Smoke and heat extraction and window technology

GEZE smoke and heat extraction systems and ventilation technology provide complete systems solutions combining the many requirements of different types of windows. We supply a full range from energy efficient drive systems to natural ventilation and complete solutions for supplying and extracting air, also as certified SHEVs.

Safety technology

GEZE safety technology sets the standards where preventative fire protection, access control and anti-theft security in emergency exits are concerned. For each of these objectives GEZE offers tailored solutions, which combine the individual safety requirements in one intelligent system and close doors and windows in case of danger in a coordinated manner.

Building systems

In GEZE's Building Management System GEZE door, window and safety products can be integrated in to the security and control systems of the building. A central control and visualisation system monitors various automation components in the building and offers security through many different networking capabilities.

Glass systems

GEZE glass systems stand for open and transparent interior design. They can either blend discreetly into the architecture of the building or stand out as an accentuated feature. GEZE offers a wide variety of technologies for functional, reliable and aesthetic sliding wall or sliding door systems providing security with lots of design scope.

GEZE GmbH
P.O. Box 1363
71226 Leonberg
Germany

GEZE GmbH
Reinhold-Vöster-Straße 21-29
71229 Leonberg
Germany
Telefon +49 7152 203 0
Telefax +49 7152 203 310
www.geze.com

Germany
 GEZE Sonderkonstruktionen GmbH
 Planken 1
 97944 Boxberg-Schweigern
 Tel. +49 7930 9294 0
 Fax +49 7930 9294 10
 sk.de@geze.com

GEZE GmbH
 Niederlassung Süd-West
 Breitwiesenstraße 8
 71229 Leonberg
 Tel. +49 7152 203 594
 Fax +49 7152 203 438
 leonberg.de@geze.com

GEZE GmbH
 Niederlassung Süd-Ost
 Parkring 17
 85748 Garching bei München
 Tel. +49 7152 203 6440
 Fax +49 7152 203 77050
 muenchen.de@geze.com

GEZE GmbH
 Niederlassung Ost
 Bühringstraße 8
 13086 Berlin (Weißensee)
 Tel. +49 7152 203 6840
 Fax +49 7152 203 76849
 berlin.de@geze.com

GEZE GmbH
 Niederlassung Mitte/Luxemburg
 Adenauerallee 2
 61440 Oberursel (b. Frankfurt)
 Tel. +49 7152 203 6888
 Fax +49 7152 203 6891
 frankfurt.de@geze.com

GEZE GmbH
 Niederlassung West
 Heltorfer Straße 12
 40472 Düsseldorf
 Tel. +49 7152 203 6770
 Fax +49 7152 203 76770
 duesseldorf.de@geze.com

GEZE GmbH
 Niederlassung Nord
 Haus 11, 1. OG - Theodorstr. 42-90
 22761 Hamburg-Bahrenfeld
 Tel. +49 7152 203 6600
 Fax +49 7152 203 76608
 hamburg.de@geze.com

GEZE Service GmbH
 Niederlassung Süd-West
 Reinhold-Vöster-Straße 25
 71229 Leonberg
 Tel. +49 1802 923392
 Fax +49 7152 9233 359
 service-leonberg.de@geze.com

GEZE Service GmbH
 Niederlassung Süd
 Parkring 17
 85748 Garching bei München
 Tel. +49 1802 923392
 Fax +49 7152 9233 859
 service-muenchen.de@geze.com

GEZE Service GmbH
 Niederlassung Mitte
 Oberurseler Str. 69
 61440 Oberursel
 Tel. +49 1802 923392
 Fax +49 7152 9233 659
 service-oberursel.de@geze.com

GEZE Service GmbH
 Niederlassung West
 Heltorfer Straße 12
 40472 Düsseldorf
 Tel. +49 1802 923392
 Fax +49 7152 9233 559
 service-duesseldorf.de@geze.com

GEZE Service GmbH
 Niederlassung Nord-Ost
 Bühringstraße 8
 13086 Berlin (Weißensee)
 Tel. +49 1802 923392
 Fax +49 7152 9233 759
 service-berlin.de@geze.com

GEZE Service GmbH
 Niederlassung Nord
 Theodorstr. 42-90, Haus 11
 22761 Hamburg
 Tel. +49 1802 923392
 Fax +49 7152 9233 459
 service-hamburg.de@geze.com

Austria
 GEZE Austria
 Wiener Bundesstrasse 85
 A-5300 Hallwang
 Tel: +43 6225 87180
 Fax: +43 6225 87180 299
 austria.at@geze.com

Baltic States
 GEZE GmbH Baltic States office
 Dzelzavas iela 120 5
 1021 Riga
 Tel. +371 678960 35
 Fax +371 678960 36
 office-latvia@geze.com

Benelux
 GEZE Benelux B.V.
 Industrieterrein Kapelbeemd
 Steenoven 36
 5626 DK Eindhoven
 Tel. +31 4026290 80
 Fax +31 4026290 85
 benelux.nl@geze.com

Bulgaria
 GEZE Bulgaria - Trade
 Representative Office
 Nickolay Haitov 34 str., fl. 1
 1172 Sofia
 Tel. +359 247043 73
 Fax +359 247062 62
 office-bulgaria@geze.com

China
 GEZE Industries (Tianjin) Co., Ltd.
 Shuangchenzhong Road
 Beichen Economic Development
 Area (BEDA)
 Tianjin 300400, P.R. China
 Tel. +86 22 26973995
 Fax +86 22 26972702
 chinasales@geze.com.cn

GEZE Industries (Tianjin) Co., Ltd.
 Branch Office Shanghai
 Jia Little Exhibition Center
 Room C 2-102
 Shenzhuan Rd. 6000
 201619 Shanghai, P.R. China
 Tel. +86 21 52340960
 Fax +86 21 64472007
 chinasales@geze.com.cn

GEZE Industries (Tianjin) Co., Ltd.
 Branch Office Guangzhou
 Room 17 C 3
 Everbright Bank Building, No.689
 Tian He Bei Road
 510630 Guangzhou, P.R. China
 Tel. +86 20 38731842
 Fax +86 20 38731834
 chinasales@geze.com.cn

GEZE Industries (Tianjin) Co., Ltd
 Branch Office Beijing
 Room 1001, Tower D
 Sanlitun SOHO
 No. 8, Gongti North Road,
 Chaoyang District
 100027 Beijing, P.R.China
 Tel. +86 10 59359300
 Fax +86 10 59359322
 chinasales@geze.com.cn

France
 GEZE France S.A.R.L.
 ZAC de l'Orme Rond
 RN 19
 77170 Servon
 Tel. +33 1 606260 70
 Fax +33 1 606260 71
 france.fr@geze.com

Hungary
 GEZE Hungary Kft.
 Hungary-2051 Biatorbágy
 Vendel Park
 Huber u. 1.
 Tel. +36 23532 735
 Fax +36 23532 738
 office-hungary@geze.com

Iberia
 GEZE Iberia S.R.L.
 C/ Andorra 24
 08830 Sant Boi de Llobregat
 (Barcelona)
 Tel. +34 902194 036
 Fax +34 902194 035
 info@geze.es

India
 GEZE India Private Ltd.
 MF 2 & 3, Guindy Industrial Estate
 Ekkattuthangal
 Chennai 600 097
 Tamilnadu
 Tel. +91 44 406169 00
 Fax +91 44 406169 01
 office-india@geze.com

Italy
 GEZE Italia S.r.l
 Sede di Milano
 Via Giotto 4
 20040 Cambiago (MI)
 Tel. +39 0295069 511
 Fax +39 0295069 533
 italia.it@geze.com

Sede di Roma
 Via Lucrezia Romana, 91
 00178 Roma
 Tel. +39 06 726531 1
 Fax +39 06 726531 36
 roma@geze.biz

Poland
 GEZE Polska Sp.z o.o.
 ul. Annapol 21
 03-236 Warszawa
 Tel. +48 224 404 440
 Fax +48 224 404 400
 geze.pl@geze.com

Romania
 GEZE Romania S.R.L.
 IRIDE Business Park,
 Str. Dimitrie Pompeiu nr. 9-9a,
 Building 10, Level 2, Sector 2,
 020335 Bucharest
 Tel.: +40 212507 750
 Fax: +40 316201 258
 office-romania@geze.com

Russia
 OOO GEZE RUS
 Gamsonovskiy Per. 2
 115191 Moskau
 Tel. +7 495 93306 59
 Fax +7 495 93306 74
 office-russia@geze.com

Scandinavia - Sweden
 GEZE Scandinavia AB
 Mallslingan 10
 Box 7060
 18711 Täby, Sweden
 Tel. +46 87323 400
 Fax +46 87323 499
 sverige.se@geze.com

Scandinavia - Norway
 GEZE Scandinavia AB avd. Norge
 Industriveien 34 B
 2073 Dal
 Tel. +47 63957 200
 Fax +47 63957 173
 norge.se@geze.com

Scandinavia - Denmark
 GEZE Danmark
 Branch office of GEZE Scandinavia AB
 Mårkærvej 13 J-K
 2630 Taastrup
 Tel. +45 463233 24
 Fax +45 463233 26
 danmark.se@geze.com

Singapore
 GEZE (Asia Pacific) Pte. Ltd.
 21 Bukit Batok Crescent
 #23-75 Wcega Tower
 Singapore 658065
 Tel: +65 6846 1338
 Fax: +65 6846 9353
 gezessea@geze.com.sg

South Africa
 GEZE Distributors (Pty) Ltd.
 118 Richards Drive, Halfway House,
 Ext 111, P.O. Box 7934, Midrand 1685,
 South Africa
 Tel: + 27 113158 286
 Tel: + 27 113158 261
 info@gezesa.co.za

Switzerland
 GEZE Schweiz AG
 Zelglimatte 1A
 6260 Reiden
 Tel. +41 62 28554 00
 Fax +41 62 28554 01
 schweiz.ch@geze.com

Turkey
 GEZE Kapı ve Pencere Sistemleri
 San. ve Tic. Ltd. Sti.
 İstanbul Anadolu Yakası Organize
 Sanayi Bölgesi
 Gazi Bulvarı Caddesi 8.Sokak No:8
 Tuzla-İstanbul
 Tel. + 90 216 45543 15
 Fax + 90 216 45582 15
 office-turkey@geze.com

Ukraine
 LLC GEZE Ukraine
 ul. Viskoznaya, 17,
 Building 93-B, Office 12
 02660 Kiev
 Tel./Fax +38 445012225
 office-ukraine@geze.com

United Arab Emirates/GCC
 GEZE Middle East
 P.O. Box 17903
 Jebel Ali Free Zone
 Dubai
 Tel. +971 48833 112
 Fax +971 48833 240
 gezeme@geze.com

United Kingdom
 GEZE UK Ltd.
 Blenheim Way
 Fradley Park
 Lichfield
 Staffordshire WS13 8SY
 Tel. +44 15434430 00
 Fax +44 15434430 01
 info.uk@geze.com

GEZE REPRESENTATIVE