

# Series 200 System Locks

Standard sets

Mortise locks

Panic sets

Panic locks

Self-locking panic sets

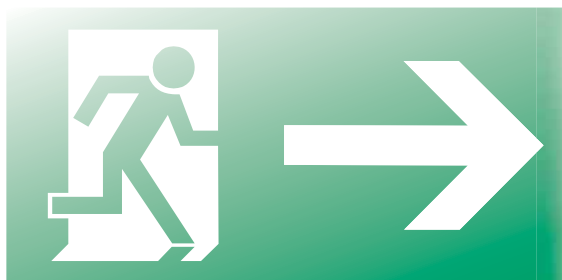
Self-locking panic locks

Inactive sash sets

Hardware according to EN 179/1125

Striker boxes

Accessories



## Content

<b>General information</b> .....	<b>Page 3</b>
Company portrait .....	Page 3
WSS and Orgadata – a strong connection .....	Page 4
Overview of hardware components for panic and self-locking panic version ...	Page 5
The new Series 200 - Product highlights .....	Page 6
Notes on the choice of accessories for standard, panic and self-locking panic sets .....	Page 9
Notes for doors in accordance with EN 12209, EN 179 and EN 1125 .....	Page 9
Locking function .....	Page 9
Note on the use of profile cylinders .....	Page 9
<b>Standard 1-2</b> .....	<b>Page 10</b>
<b>Mortise locks</b> .....	<b>Page 12</b>
<b>Panic sets 11-18</b> .....	<b>Page 16</b>
<b>Panic locks</b> .....	<b>Page 26</b>
Information on emergency exit and panic doors.....	Page 16
Explanation of the locking functions.....	Page 17
<b>Self-locking panic sets 21-28</b> .....	<b>Page 30</b>
<b>Self-locking panic locks</b> .....	<b>Page 40</b>
Self-locking panic lock with electronic handle control (EDS) .....	Page 40
Advantages of EDS .....	Page 41
Set versions for EDS .....	Page 41
<b>Inactive sash sets 1-2</b> .....	<b>Page 42</b>
<b>Striker box</b> .....	<b>Page 44</b>
<b>s according to EN 179/1125</b> .....	<b>Page 46</b>
<b>Active sash accessories</b> .....	<b>Page 48</b>
<b>Inactive sash accessories</b> .....	<b>Page 49</b>
<b>Active and inactive sash accessories</b> .....	<b>Page 51</b>
<b>Inactive sash set accessories</b> .....	<b>Page 55</b>
<b>Electronic accessories</b> .....	<b>Page 59</b>
<b>Accessories for closing sequence control, double-sash</b> .....	<b>Page 63</b>
<b>Attachment</b> .....	<b>Page 64</b>
Instructions for changing the egress direction.....	Page 64
Notes on panic doors that open inwards .....	Page 64
Notes for oversized panic doors .....	Page 64
Instructions for changing the DIN direction of panic locks .....	Page 65
Instructions for changing the DIN direction of self-locking panic locks .....	Page 65
Instructions for protected latch retainer function E in panic locks .....	Page 66
Instructions for protected latch and deadbolt retainers and protected deadbolt retainer function E in self-locking panic locks .....	Page 67
Instructions for use .....	Page 68
Index .....	Page 69
Subject index .....	Page 71

## Company portrait



WSS – Wilh. Schlechtendahl und Söhne - your reliable supplier of hardware and locks for metal profile doors and windows since 1906.

Since its foundation, WSS has constantly expanded both its product portfolio and associated production capacity.

WSS focuses on hardware in the fields of doors, windows, facades and glass to satisfy the growing demand for high-quality properties and commercial buildings.

In order to improve its customer service, WSS rounds off its own product portfolio with products from its business partners. This means it can offer not only individual products but also complete system solutions.

Your advantage – comprehensive, technical and qualified customer service from just one partner for the entire spectrum of products in metal and glass construction.

WSS – employees work on an area covering 20,000m<sup>2</sup> to satisfy your wishes and needs in the key region.

WSS – your reliable partner and specialist for products and system solutions for building doors, windows, facades and glass.

You can reach your sales contact at:

Email: [vertrieb@wss.de](mailto:vertrieb@wss.de)

Telephone: 02056 / 17 - 0

Fax: 02056 / 51 42



## WSS and Orgadata – a strong connection



### WSS knows your growing demands in metal construction:

- Customer focused assistance on fast changing market requirements in a fast turning world
- Efficient use of capacities and resources
- Personal support and service for the specific configuration of the product package

To make sure that the planning, construction and calculation of your project and the associated products goes off without a hitch, WSS provides the necessary information via the WSS data package in LogiKal.

This package contains the system related WSS product portfolio as well as complete hardware sets for windows and doors in the tubular frame sector as well as the WSS commercial range. This means that you the customer are supported by WSS during the time-saving planning and construction as well as the associated calculation and ordering by means of the profile independent software.

Furthermore, you can also use LogiKal to plan and perform the necessary processing parameters and steps and to control the machinery.

The result – measurable benefits in all areas of the work process.

### Your advantages:

- Simply select your product from the growing number of WSS products available in LogiKal.
- Easy to use integration and implementation of WSS products in your projects with all of the benefits offered by LogiKal (e.g. processing data).
- WSS-LogiKal experts help you to set up and use LogiKal as well as with the specific compilation of WSS products.
- WSS product experts train your personnel on the specific product benefits as well as the wide variety of possible uses of WSS products.
- WSS sales experts and architectural advisors assist you in the coordinated and uncomplicated handling of your project.

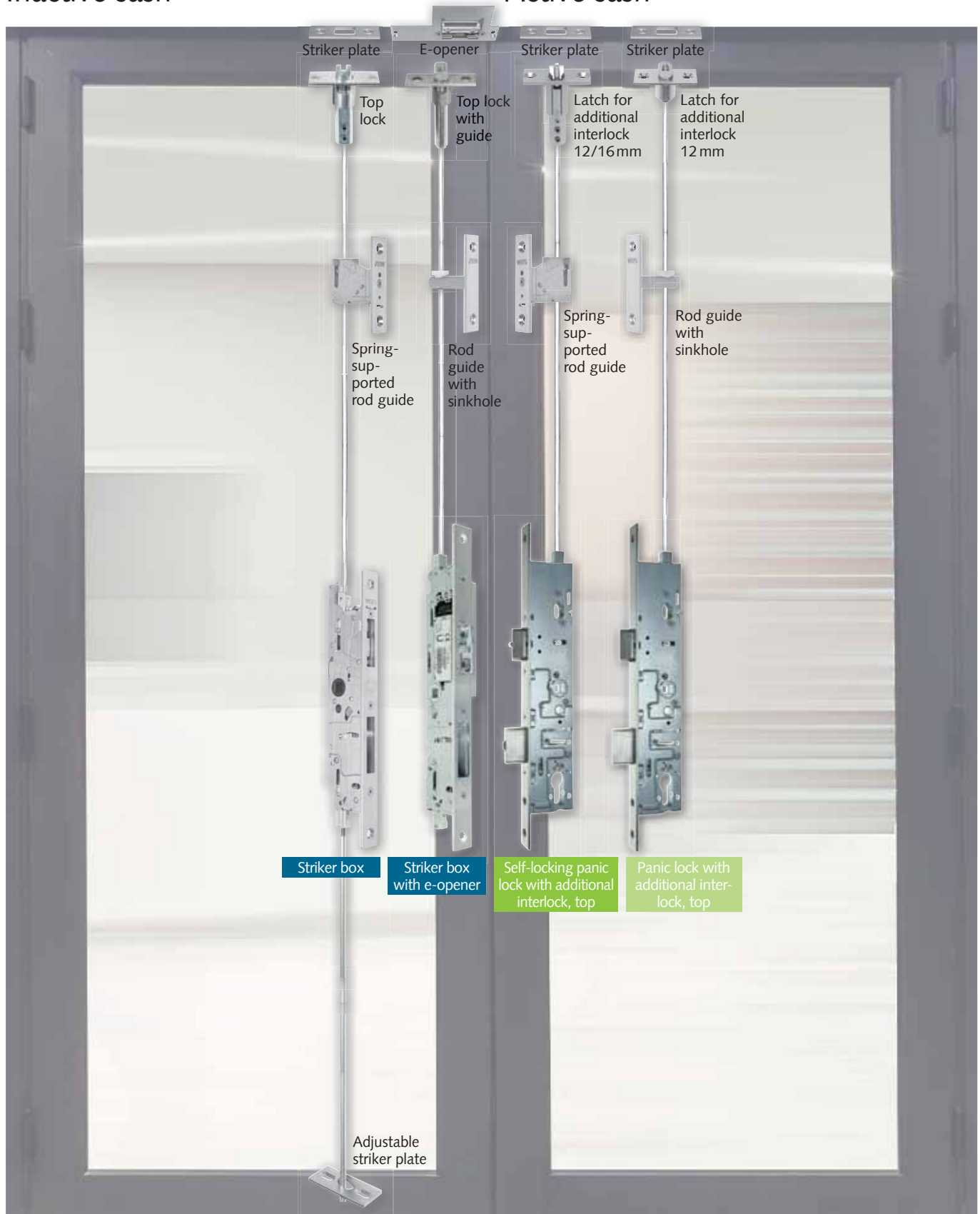
If you are interested in the WSS data package for LogiKal, get in touch with us through your contact in sales.



# Overview of hardware components for panic and self-locking panic version

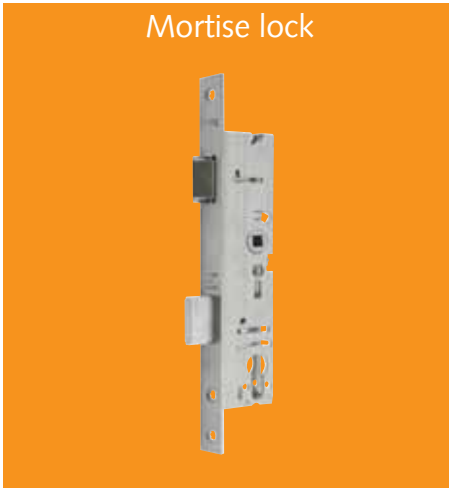
Inactive sash

Active sash



# The new Series 200

Mortise lock



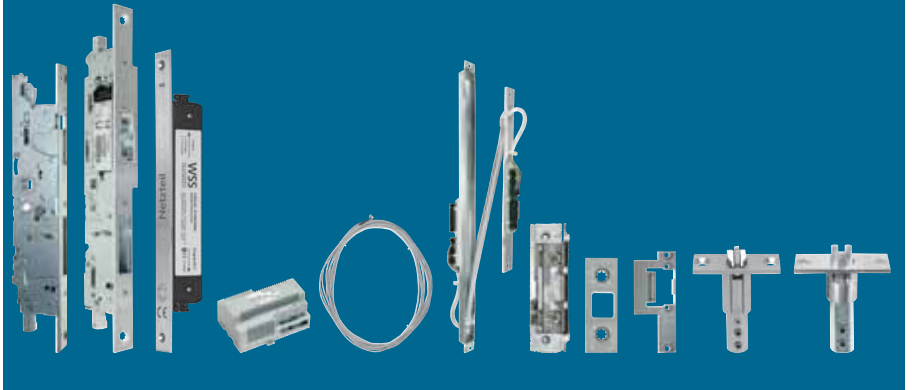
Panic lock



Self-locking panic lock



Series 200 accessories - Panic and self-locking panic locks  
EN 179 / EN 1125



Series 200 accessories



Hardware



# Product highlights

## Series 200 highlights



- Standard box and front plate sizes
- 20mm deadbolt projection for greater security
- Reduced number of models thanks to use on right/left
- Adjustable direction of escape
- Less installation work – spring-mounted rod guide for additional interlock (ZV) with adjustable lifting force for adaptation to structural conditions
- Extensive range of modular accessories

## Lock highlights

### Mortise locks



- For simple doors with/without fire and smoke protection requirements (ZD/steel latch)
- Manual lock
- Latch lock
- Suitable up to RC 3 (single-sash door / in combination with a striker plate with 3 screw points)

### Panic locks



- “Key inserted” function
- Protected latch retainer
- Latch lock with CE mark (EN 179/1125)
- Suitable up to RC 2

### Self-locking panic locks



- Greater security through self-locking
- “Key inserted” function
- Panic function E optionally with deadbolt retainer for use with e-openers
- Optional latch and deadbolt retainer
- Optional deadbolt retainer (for use with e-openers)
- Suitable up to RC 2

## Further highlights

### Additional interlocks



- Additional locking point at top (for doors over 2.500mm in height)
- Higher retaining forces, tightness and security
- Optionally with safety catch lock for 16mm projection for fire-resistant doors
- Less installation work thanks to clic-on end pieces / clamped latch heads / standard rods
- Easy installation of the locking elements thanks to knock-on or clamped screw fastening

### Rod guides



- Simplified installation of the rod guide/ rods through sinkhole
- Optionally with spring-mounted rod guide for oversized doors to compensate installation tolerances
- Adjustable lifting force for different door heights (three lifting forces can be adjusted from the front plate side)

### Lock monitoring (optional)



- Available for profile cylinders, followers, deadbolts
- Tamper-proof monitoring of important lock states and functions
- Open interface to connect electronic peripheral equipment (e.g. door drives / building services engineering)
- Normal functions can be monitored with simple and low-cost microswitches

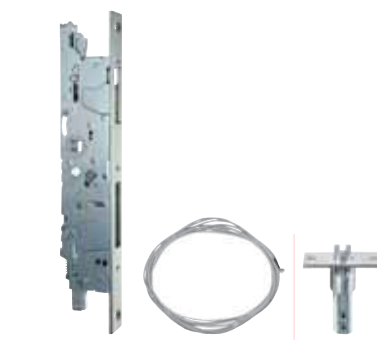
EDS – Electronic Handle Control

Striker boxes

Striker boxes e-opener



- Identical box dimensions as the Series 200 – query PCB already integrated
- Available as a single or double-sash solution with/without additional interlock at top
- Coupling time ~ 0.3 seconds
- Open and closed-circuit principle
- Access control via finger scanner, time switch, central building control system
- Including monitoring



- For use with the Series 200 panic and self-locking panic range
- 30 mm backset: 18 mm rod projection
- 35 mm backset: 20 mm rod projection for greater security
- Optionally with rod retainer for use in simple, self-locking, double-sash door systems in permanent operation
- Spring-mounted deadbolt ejector for the automatic compensation of the front plate (intermediate dimensions 4-8 mm)
- Identical accessories for lock
- Optional monitoring of the follower and lower rod
- Optional monitoring to connect electronic peripheral equipment (e.g. building services engineering)
- Connection via secure plug connection – plug + play

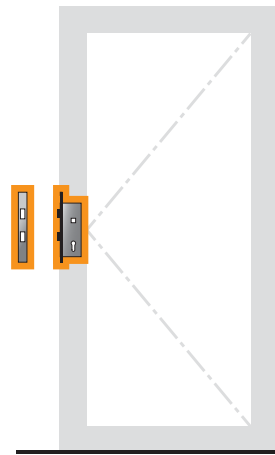


- Mechanical striker box functions retained
- Easy automation of double-sash door systems e.g. in hospitals
- Optional monitoring of the latch, follower and lower rod

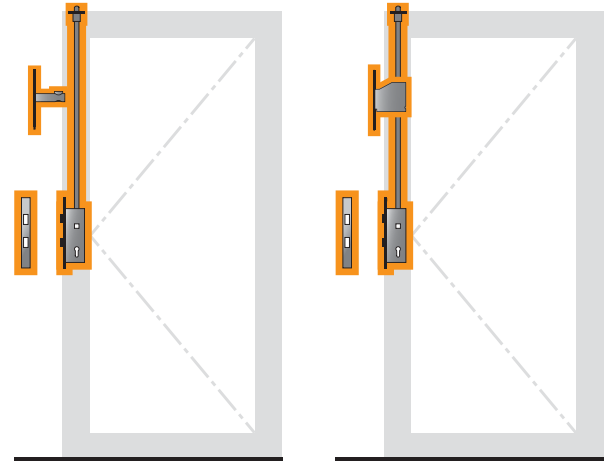


## Notes on the choice of accessories for standard, panic and self-locking panic sets

Doors w/o additional interlock at top



Doors with additional interlock at top



Door height	up to approx. 2.500 mm	from 2.300 to approx. 2.500 mm	over 2.500 to 3.500 mm
Rod length		1.550 mm	2.500 mm
Recommended accessories		Rod guide with sinkhole for additional interlock at top	Rod guide, spring-mounted for additional interlock at top (model 139)



Please pay attention to the system specifications during the choice and installation of locks and accessories!

### Notes for doors in accordance with EN 12209, EN 179 and EN 1125



The Series 200 locks have been tested according to the aforementioned standards for permanent operation with 200.000 cycles for door heights up to 3.500 mm and door widths up to 1.600 mm with a maximum door weight of 400 kg.

Pay attention to the specifications of the system houses as regards the door sash dimensions and weights.

### Note on the use of profile cylinders



The locks in the Series 200 can be operated with standard profile cylinders in accordance with EN 18252 or EN 1303.

Electronic knob cylinders in accordance with EN 15684 can be used as long as the frictional torque of the locking nose  $F \leq 1,2 \text{ N}$ , without an "anti-panic function (AP function)".

## Locking function

### Idle function with switchover (L+W)

#### Use

Mainly for double-sash door systems without a panic function in which no special inactive sash lock is used.

#### Function

- When the deadbolt is switched back from the inside or outside and the handle has been enabled, the active sash can be opened from the inside and outside if the handles on both sides are used.
- If only a knob is mounted on the outside, the door can sometimes be opened from the inside without unauthorised persons (without a key) gaining access from the outside (one-way rule). People with a key can still open the door from the outside (switching function).
- When the door is locked, the deadbolt is thrown out and at the same time the handle(s) is disabled (switched to idle). The door cannot be opened until the deadbolt is switched back with the key.

**Standard set 1**

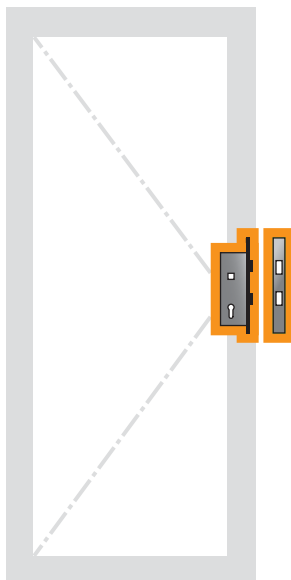
- For single-sash doors up to a max. height of 2.500 mm
- Normal version with switchover
- Flip over latch
- For doors that open inwards and outwards



**Active sash**

- Mortise lock

On frame side:  
Striker plate - main lock



**Mortise lock**

Part#	Backset	Front plate	Square
14.500.2400.---	24	Flat front plate	8
14.500.3000.---	30	Flat front plate	8
14.500.3400.---	34	U-shaped front plate	8
14.500.3500.---	35	Flat front plate	8
14.500.3900.---	39	U-shaped front plate	8
14.500.4000.---	40	Flat front plate	8
14.500.4400.---	44	U-shaped front plate	8
14.500.4500.---	45	Flat front plate	8

**Mortise lock**

Part#	Backset	Front plate	Square
14.504.3000.---	30	Flat front plate	9
14.504.3400.---	34	U-shaped front plate	9
14.504.3500.---	35	Flat front plate	9
14.504.3900.---	39	U-shaped front plate	9
14.504.4000.---	40	Flat front plate	9
14.504.4400.---	44	U-shaped front plate	9
14.504.4500.---	45	Flat front plate	9

**Latch lock**

Part#	Backset	Front plate	Square
14.501.3000.---	30	Flat front plate	8
14.501.3400.---	34	U-shaped front plate	8
14.501.3500.---	35	Flat front plate	8
14.501.3900.---	39	U-shaped front plate	8
14.501.4000.---	40	Flat front plate	8
14.501.4400.---	44	U-shaped front plate	8
14.501.4500.---	45	Flat front plate	8

**Latch lock**

Part#	Backset	Front plate	Square
14.505.3000.---	30	Flat front plate	9
14.505.3400.---	34	U-shaped front plate	9
14.505.3500.---	35	Flat front plate	9
14.505.3900.---	39	U-shaped front plate	9
14.505.4000.---	40	Flat front plate	9
14.505.4400.---	44	U-shaped front plate	9
14.505.4500.---	45	Flat front plate	9

**Mortise lock with roller latch**

Part#	Backset	Front plate
14.502.2400.---	24	Flat front plate
14.502.3000.---	30	Flat front plate
14.502.3400.---	34	U-shaped front plate
14.502.3500.---	35	Flat front plate
14.502.3900.---	39	U-shaped front plate
14.502.4000.---	40	Flat front plate
14.502.4400.---	44	U-shaped front plate
14.502.4500.---	45	Flat front plate

**Model key**

---.000	Profile-independent (for tendering)
---.001	Striker plate closed, for outward opening doors (please specify profile series)
---.002	Striker plate for electric door opener, for outward opening doors (please specify profile series) (E-opener not included in set)

**Further options:**

- 01) Prepared for CH-RZ
- 15) 9 mm Square follower (only with 14.500. and 14.501.----.---
- 16) Mikroswitch to control the deadbolt



## Standard set 2

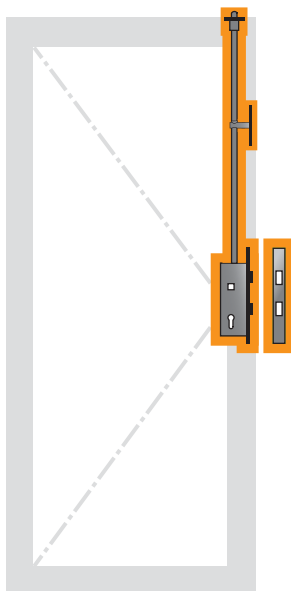
- For single-sash doors from 2.300 mm up to 3.500 mm in height
- With additional interlock
- For doors that open inwards and outwards

### Active sash

- Mortise lock
- Additional interlock
- Connecting rod for additional interlock, M5 x 1.550 mm
- Latch for additional interlock with latch guide
- Rod guide with sinkhole up to 2.500 mm door height, we recommend the model 139 for higher doors

#### Frame side:

- Striker plate - main lock
- Striker plate - additional interlock
- Latch run-out plate



### Mortise lock with additional interlock



Part#	Backset	Front plate	Square
14.510.3000.---	30	Flat front plate	9
14.510.3400.---	34	U-shaped front plate	9
14.510.3500.---	35	Flat front plate	9
14.510.3900.---	39	U-shaped front plate	9
14.510.4000.---	40	Flat front plate	9
14.510.4400.---	44	U-shaped front plate	9
14.510.4500.---	45	Flat front plate	9

### Model key

---.000	Profile-independent (for tendering)
---.001	Striker plate closed, for outward opening doors (please specify profile series)
---.002	Striker plate for electric door opener, for outward opening doors (please specify profile series) (E-opener not included in set)

#### Further options:

- 01) Prepared for CH-RZ
- 16) Mikroswitch to control the deadbolt
- 139) With spring-loaded rod guide for additional top latch from 2.500 mm door height

#### Note:

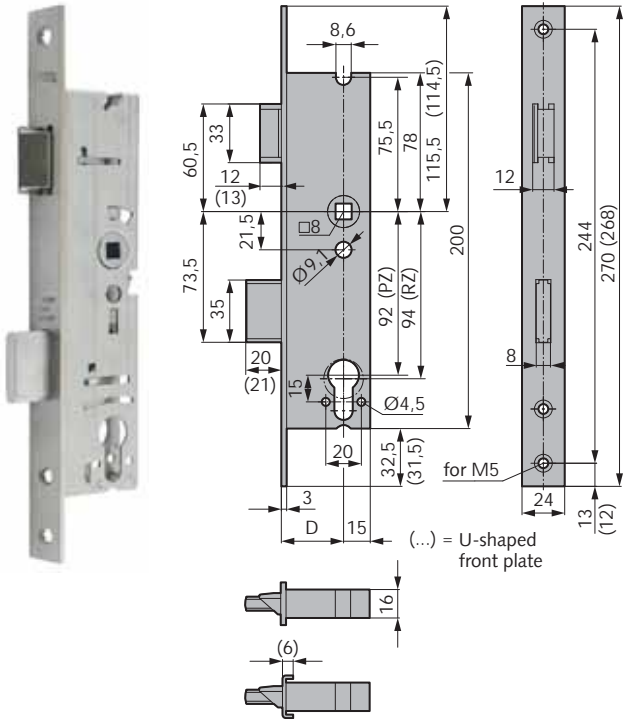
Please specify the DIN direction for model 002 so that the correct striker plate "E-opener at top" can be supplied.

### Latch lock with additional interlock

Part#	Backset	Front plate	Square
14.511.3000.---	30	Flat front plate	9
14.511.3400.---	34	U-shaped front plate	9
14.511.3500.---	35	Flat front plate	9
14.511.3900.---	39	U-shaped front plate	9
14.511.4000.---	40	Flat front plate	9
14.511.4400.---	44	U-shaped front plate	9
14.511.4500.---	45	Flat front plate	9

### Mortise lock with additional interlock

Part#	Backset	Front plate	Square
14.512.3000.---	30	Flat front plate	9
14.512.3400.---	34	U-shaped front plate	9
14.512.3500.---	35	Flat front plate	9
14.512.3900.---	39	U-shaped front plate	9
14.512.4000.---	40	Flat front plate	9
14.512.4400.---	44	U-shaped front plate	9
14.512.4500.---	45	Flat front plate	9



Mortise lock

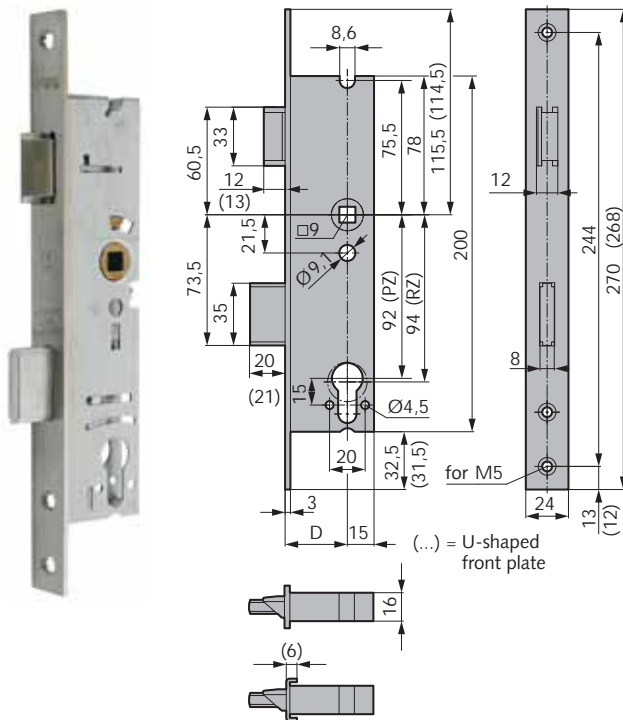


■ 8 mm square

Part#	Backset	Front plate	Material/finish
14.120.2400.426	24	Flat front plate	304 matt brushed
14.120.3000.426	30	Flat front plate	304 matt brushed
14.120.3400.426	34	U-shaped front plate	304 matt brushed plate
14.120.3500.426	35	Flat front plate	304 matt brushed
14.120.3900.426	39	U-shaped front plate	304 matt brushed plate
14.120.4000.426	40	Flat front plate	304 matt brushed
14.120.4400.426	44	U-shaped front plate	304 matt brushed plate
14.120.4500.426	45	Flat front plate	304 matt brushed

Further options:

- 01) Prepared for CH-RZ
- 15) 9 mm Square follower
- 16) Mikroswitch to control the deadbolt
- 54) Latch 3 mm proud (only 35 backset)



Mortise lock

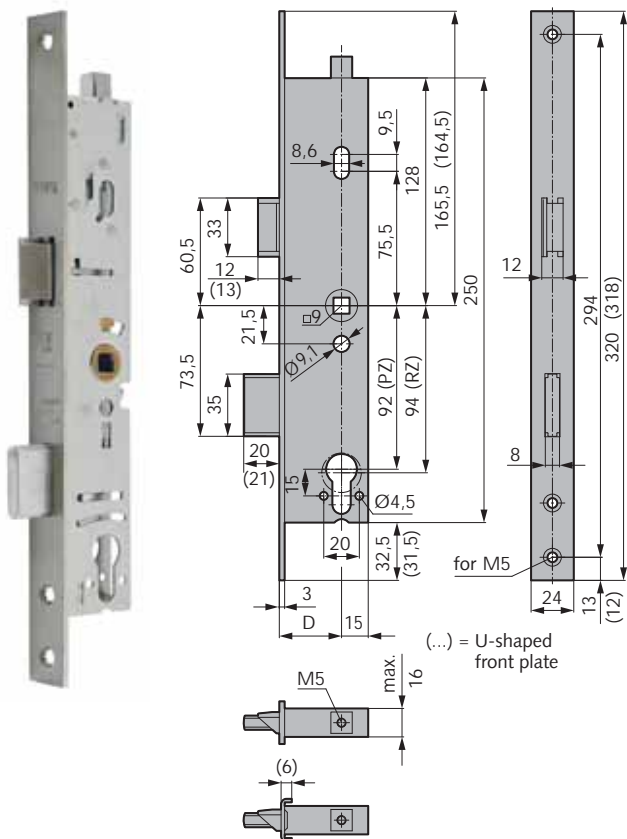


■ 9 mm square

Part#	Backset	Front plate	Material/finish
14.140.3000.426	30	Flat front plate	304 matt brushed
14.140.3400.426	34	U-shaped front plate	304 matt brushed plate
14.140.3500.426	35	Flat front plate	304 matt brushed
14.140.3900.426	39	U-shaped front plate	304 matt brushed plate
14.140.4000.426	40	Flat front plate	304 matt brushed
14.140.4400.426	44	U-shaped front plate	304 matt brushed plate
14.140.4500.426	45	Flat front plate	304 matt brushed

Further options:

- 01) Prepared for CH-RZ
- 16) Mikroswitch to control the deadbolt
- 54) Latch 3 mm proud (only 35 backset)



Mortise lock with additional interlock

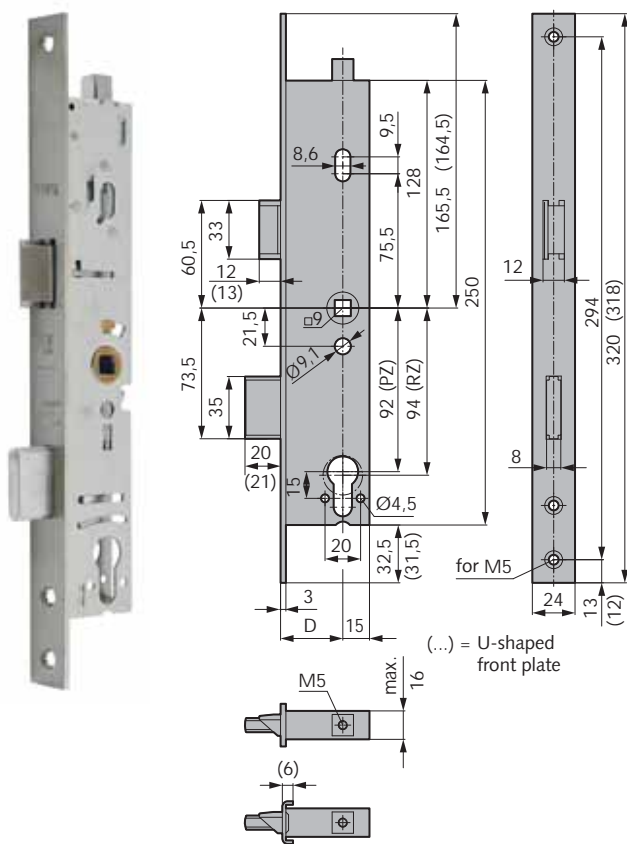
■ 9 mm square



Part#	Backset	Front plate	Material/finish
14.146.3000.426	30	Flat front plate	304 matt brushed
14.146.3400.426	34	U-shaped front plate	304 matt brushed
14.146.3500.426	35	Flat front plate	304 matt brushed
14.146.3900.426	39	U-shaped front plate	304 matt brushed
14.146.4000.426	40	Flat front plate	304 matt brushed
14.146.4400.426	44	U-shaped front plate	304 matt brushed
14.146.4500.426	45	Flat front plate	304 matt brushed

Further options:

- 01) Prepared for CH-RZ
- 16) Mikroswitch to control the deadbolt
- 54) Latch 3 mm proud (only 35 backset)



Mortise lock with additional interlock

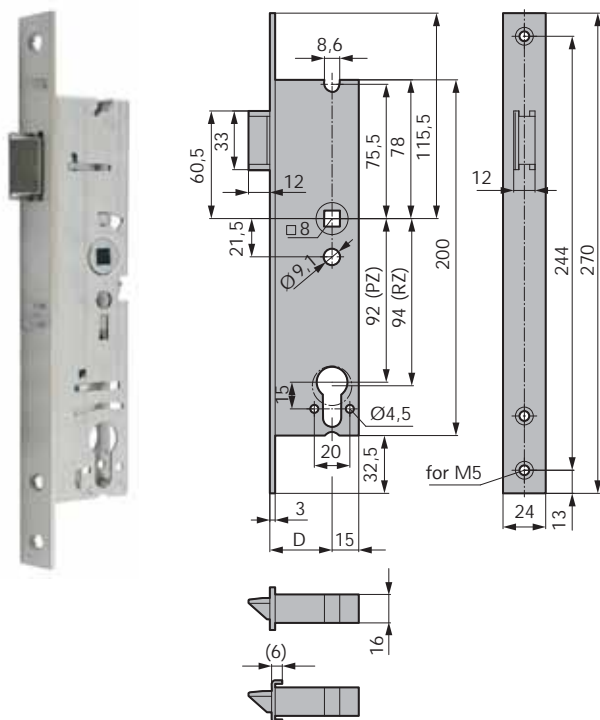
■ Function L+W  
■ 9 mm square



Part#	Backset	Front plate	Material/finish
14.156.3000.426	30	Flat front plate	304 matt brushed
14.156.3400.426	34	U-shaped front plate	304 matt brushed
14.156.3500.426	35	Flat front plate	304 matt brushed
14.156.3900.426	39	U-shaped front plate	304 matt brushed
14.156.4000.426	40	Flat front plate	304 matt brushed
14.156.4400.426	44	U-shaped front plate	304 matt brushed
14.156.4500.426	45	Flat front plate	304 matt brushed

Further options:

- 01) Prepared for CH-RZ
- 54) Latch 3 mm proud (only 35 backset)
- 131) Lock monitoring



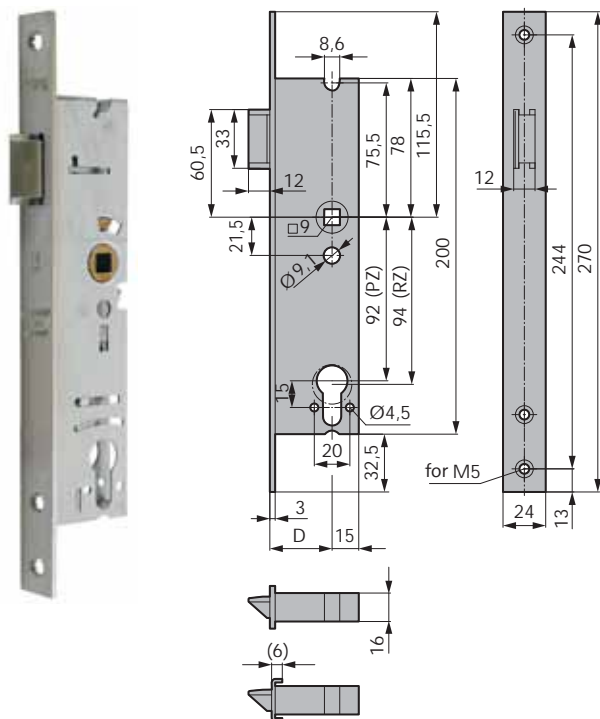
### Latch lock

■ 8 mm square

Part#	Backset	Front plate	Material/finish
14.126.3000.426	30	Flat front plate	304 matt brushed
14.126.3400.426	34	U-shaped front plate	304 matt brushed
14.126.3500.426	35	Flat front plate	304 matt brushed
14.126.3900.426	39	U-shaped front plate	304 matt brushed
14.126.4000.426	40	Flat front plate	304 matt brushed
14.126.4400.426	44	U-shaped front plate	304 matt brushed
14.126.4500.426	45	Flat front plate	304 matt brushed

**Further options:**

- 01) Prepared for CH-RZ
- 54) Latch 3 mm proud (only 35 backset)



### Latch lock

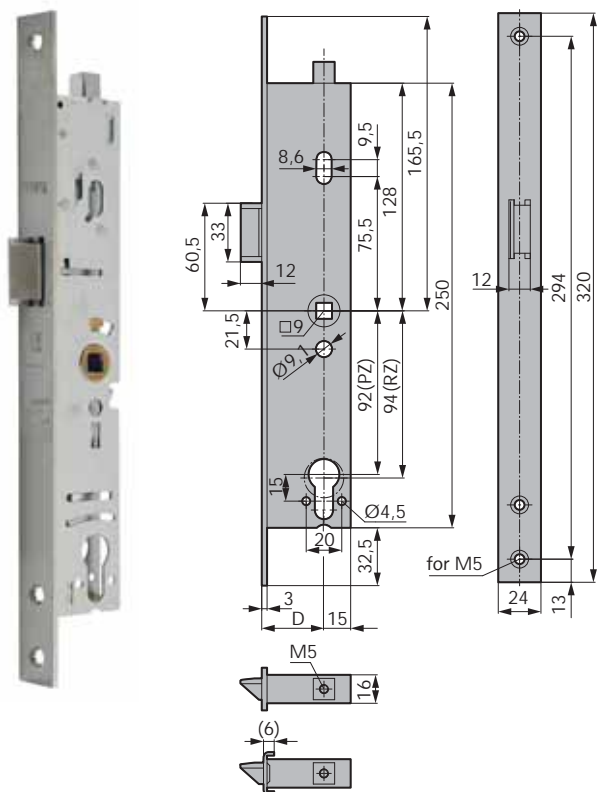
■ 9 mm square



Part#	Backset	Front plate	Material/finish
14.144.3000.426	30	Flat front plate	304 matt brushed
14.144.3400.426	34	U-shaped front plate	304 matt brushed
14.144.3500.426	35	Flat front plate	304 matt brushed
14.144.3900.426	39	U-shaped front plate	304 matt brushed
14.144.4000.426	40	Flat front plate	304 matt brushed
14.144.4400.426	44	U-shaped front plate	304 matt brushed
14.144.4500.426	45	Flat front plate	304 matt brushed

**Further options:**

- 01) Prepared for CH-RZ
- 54) Latch 3 mm proud (only 35 backset)



### Latch lock with additional interlock

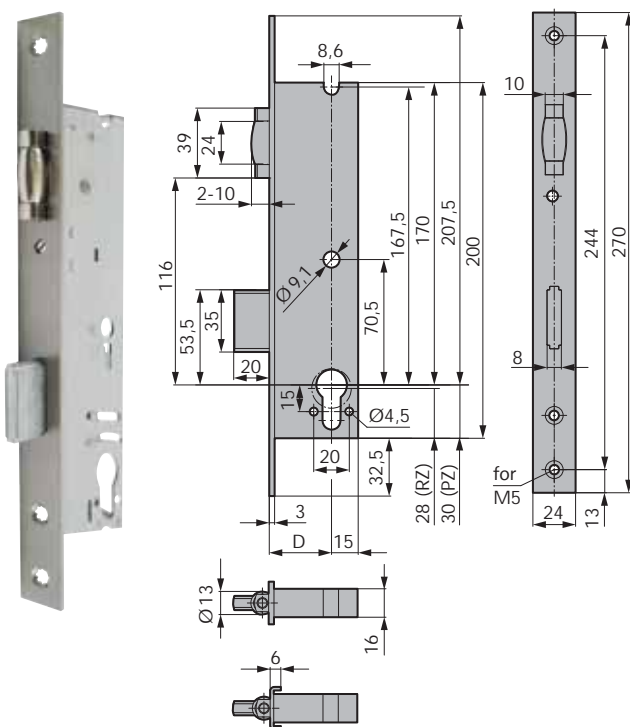
■ 9 mm square



Part#	Backset	Front plate	Material/finish
14.158.3000.426	30	Flat front plate	304 matt brushed
14.158.3400.426	34	U-shaped front plate	304 matt brushed
14.158.3500.426	35	Flat front plate	304 matt brushed
14.158.3900.426	39	U-shaped front plate	304 matt brushed
14.158.4000.426	40	Flat front plate	304 matt brushed
14.158.4400.426	44	U-shaped front plate	304 matt brushed
14.158.4500.426	45	Flat front plate	304 matt brushed

Further options:

- 01) Prepared for CH-RZ
- 54) Latch 3 mm proud (only 35 backset)



### Mortise lock with roller latch

■ Roller latch, adjustable by 2-10 mm

Part#	Backset	Front plate	Material/finish
14.124.2400.426	24	Flat front plate	304 matt brushed
14.124.3000.426	30	Flat front plate	304 matt brushed
14.124.3400.426	34	U-shaped front plate	304 matt brushed
14.124.3500.426	35	Flat front plate	304 matt brushed
14.124.3900.426	39	U-shaped front plate	304 matt brushed
14.124.4000.426	40	Flat front plate	304 matt brushed
14.124.4400.426	44	U-shaped front plate	304 matt brushed
14.124.4500.426	45	Flat front plate	304 matt brushed

Further options:

- 01) Prepared for CH-RZ
- 08) Roller latch 5 mm proud (flat front plate)
- 09) Roller latch 6 mm proud (U-shaped front plate)
- 16) Mikroswitch to control the deadbolt

## European Standards (EN) for emergency exit and panic doors.

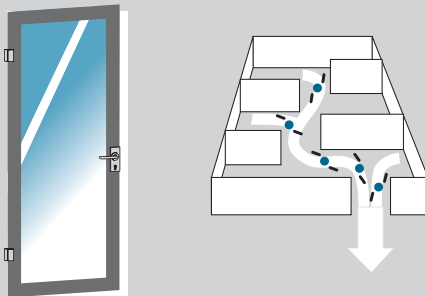
### EN 179:



#### Locks for emergency exit doors:

Panic locks with a **fixed knob and door handle** or **door handle on both sides** for emergency exit doors are used in buildings in which **panic is unlikely** to break out, since building attendees are familiar with the escape routes and the function of the emergency exit doors.

**Fields of use:** offices, workshops with no public traffic.



### EN 1125:

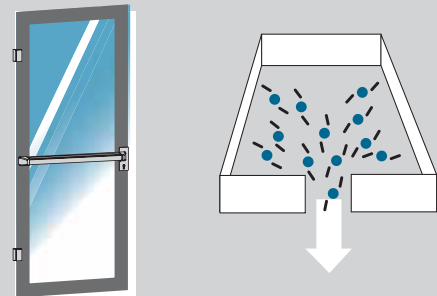


#### Locks with panic bar handles or panic push bar for panic doors:

Panic locks with **panic bar handles** or **push bars** are used in buildings in which **panic is likely** to break out in a hazardous situation.

building attendees are not familiar with the function of the emergency doors. A safe escape must be possible in an emergency situation by all means, even under a given initial load (pressure).

**Fields of use:** schools, hospitals, public administration offices, shopping malls, airports, hotels, theatres, stadiums and concert halls.



### Fire- and smoke retardant:



Only locks and hardware certified and tagged as fire and smoke retardant are eligible for use on smoke- and fire-retardant doors. Door manufacturer's approved product certificates need to be considered prior to installation.

## Legal basis and mandatory use:

Scope and implication of the standards though need to be considered at the earliest project planning phase. Since the project planner is subject to the concrete specifications of the standards, the following has to be included as mandatory:

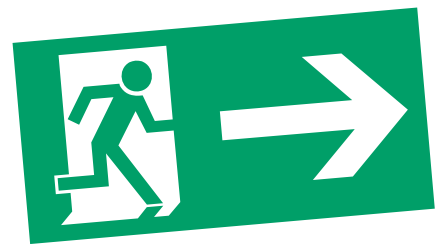
#### Ruling of the Federal Court of Justice. File ref. VII ZR 184/97:

*"...a building must incorporate the latest available technological advances at the time of its completion."*

#### § 319 (1) StGB (German Criminal Code) also applies for the purpose of criminal prosecution:

*" 1) Whosoever in the planning, management or execution of the construction or the demolition of a structure violates generally accepted engineering standards and thereby endangers the life or limb of another person shall be liable to imprisonment not exceeding five years or a fine."*

Locking systems that have been tested in accordance with EN 179 and EN 1125 satisfy the requirement that doors in escape and rescue routes must always be able to be opened from the inside easily and in their full width with one movement.



#### Please note:

Hardware needs always to be tested and certified jointly as a whole. Only the hardware manufacturer may make adjustments to the individual profile systems.



## Explanation of the locking functions

### Panic function B – split follower

#### Use:

For emergency doors that temporarily must allow passage from the outside to the inside. The outside is fitted with a handle, the inside (panic side) with a handle, panic push bar or panic pressure bar.

- Administrative and office buildings
- Retirement and nursing homes
- Side doors
- Kindergartens, schools and hotels

#### Function:

- In the egress direction, the door must be able to be opened at all times (handle, panic push bar or pressure bar always enabled) – the latch and deadbolt are retracted when activated.
- To enable temporary access, the outside handle can be enabled via the profile cylinder – locking the door restores the panic and idle function (switchover function).
- The outside handle remains disabled even when the handle on the outside is actuated.



### Panic function D – split follower (not self-locking locks)

#### Use:

For emergency doors that temporarily must allow passage from the inside and outside. The outside is fitted with a handle and the inside (panic side) with a handle, panic push bar or panic pressure bar.

- Administrative and office buildings
- Retirement and nursing homes
- Side doors
- Kindergartens, schools and hotels

#### Function:

- These doors are emergency doors that are only used if panic breaks out.
- In the egress direction, the door must be able to be opened at all times (handle, panic push bar or pressure bar are always enabled).
- Pressing the handle on the inside enables the handle on the outside – so that emergency services can gain access from the outside (access function).
- The outside of the door can only be locked again with a key.



### Panic function E – solid follower

#### Use:

For doors that should only be accessible by a certain group of persons from the outside and thus may only be opened with a key. The outside of the door is fitted with a knob or push handle and the inside (panic side) with a handle, panic push bar or panic pressure bar.

- Front doors in apartment buildings
- Commercial buildings, warehouses
- Car parks, underground garages
- Lift systems, boiler rooms

#### Function:

- In the egress direction, the door must be able to be opened at all times (handle, panic push bar or pressure bar are always enabled).
- The door can only be opened from the outside with a key or the e-opener function (switchover function).



### Panic function EDS – split follower (not self-locking locks)

#### Use:

For emergency doors that temporarily must allow passage from the inside and outside. The outside of the door is fitted with a handle and the inside (panic side) with a handle, panic push bar or panic pressure bar. The lock can be controlled with access control systems or equipment (card reader/finger scanner/time switches) and the handle enabled or disabled.

- Administrative and office buildings
- Retirement and nursing homes
- Side doors
- Kindergartens, schools and hotels

#### Function:

- In the egress direction, the door must be able to be opened at all times (handle, panic push bar or pressure bar always enabled) – the latch and deadbolt are retracted when activated.
- To allow temporary access, the outside handle can be enabled and disabled via the mechatronic components in the lock or via the profile cylinder. The panic and idle functions are restored when the door is locked.
- The lock allows the following enquiries:
  - Handle follower inside and outside
  - Deadbolt status
  - Profile cylinder actuation.



#### Note:

A video explaining the locking functions will shortly be available at [www.wss.de](http://www.wss.de).

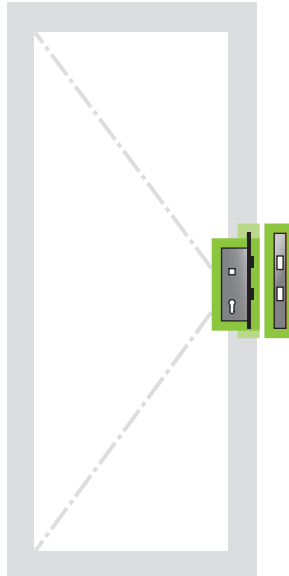
Panic set 11

- For single-sash doors up to a max. height of 2.500 mm



Active sash

- Panic lock function E, B or D
- Frame side:
  - Striker plate - main lock or for e-opener
  - Latch run-out plate



Locking function E

Part#	Backset	Front plate
14.520.3000.---	30	Flat front plate
14.520.3400.---	34	U-shaped front plate
14.520.3500.---	35	Flat front plate
14.520.3900.---	39	U-shaped front plate
14.520.4000.---	40	Flat front plate
14.520.4400.---	44	U-shaped front plate
14.520.4500.---	45	Flat front plate

Locking function B

Part#	Backset	Front plate
14.521.3000.---	30	Flat front plate
14.521.3400.---	34	U-shaped front plate
14.521.3500.---	35	Flat front plate
14.521.3900.---	39	U-shaped front plate
14.521.4000.---	40	Flat front plate
14.521.4400.---	44	U-shaped front plate
14.521.4500.---	45	Flat front plate

Locking function D

Part#	Backset	Front plate
14.522.3000.---	30	Flat front plate
14.522.3400.---	34	U-shaped front plate
14.522.3500.---	35	Flat front plate
14.522.3900.---	39	U-shaped front plate
14.522.4000.---	40	Flat front plate
14.522.4400.---	44	U-shaped front plate
14.522.4500.---	45	Flat front plate

Model key

---.000	Profile-independent (for tendering)
---.001	Striker plate closed, for outward opening doors (please specify profile series)
---.002	Striker plate for electric door opener, for outward opening doors (please specify profile series) (E-opener not included in set)

Further options:

- 01) Prepared for CH-RZ
- 59) Protected latch retainer (only function E) – not for smoke- and fire-resistant doors
- 131) Lock monitoring

Note:

\*For doors over 2.500mm in height, we recommend using the panic set 12 in the design 139.

## Panic set 12

- For single-sash doors over 2.300 mm in height
- With an upper additional interlock

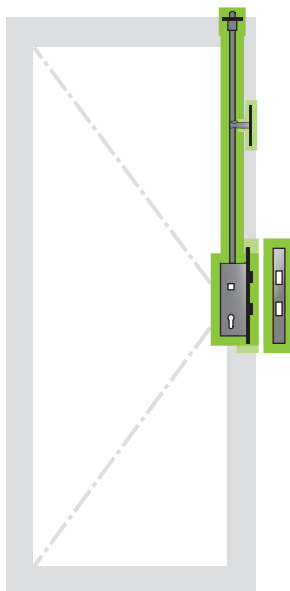


## Active sash

- Panic lock function E, B or D with additional interlock
- Connecting rod for additional interlock, M5 x 1.550 mm
- Latch for additional interlock with latch guide
- Rod guide with sinkhole up to 2.500 mm door height, we recommend the model 139 for higher doors

## Frame side:

- Striker plate - main lock
- Striker plate - additional interlock
- Latch run-out plate



## Locking function E

Part#	Backset	Front plate
14.524.3000.---	30	Flat front plate
14.524.3400.---	34	U-shaped front plate
14.524.3500.---	35	Flat front plate
14.524.3900.---	39	U-shaped front plate
14.524.4000.---	40	Flat front plate
14.524.4400.---	44	U-shaped front plate
14.524.4500.---	45	Flat front plate

## Locking function B

Part#	Backset	Front plate
14.525.3000.---	30	Flat front plate
14.525.3400.---	34	U-shaped front plate
14.525.3500.---	35	Flat front plate
14.525.3900.---	39	U-shaped front plate
14.525.4000.---	40	Flat front plate
14.525.4400.---	44	U-shaped front plate
14.525.4500.---	45	Flat front plate

## Locking function D

Part#	Backset	Front plate
14.526.3000.---	30	Flat front plate
14.526.3400.---	34	U-shaped front plate
14.526.3500.---	35	Flat front plate
14.526.3900.---	39	U-shaped front plate
14.526.4000.---	40	Flat front plate
14.526.4400.---	44	U-shaped front plate
14.526.4500.---	45	Flat front plate

## Model key

---.000	Profile-independent (for tendering)
---.001	Striker plate closed, for outward opening doors (please specify profile series)
---.002	Striker plate for electric door opener, for outward opening doors (please specify profile series) (E-opener not included in set)

## Further options:

- 01) Prepared for CH-RZ
- 59) Protected latch retainer (only function E) – not for smoke- and fire-resistant doors
- 131) Lock monitoring
- 139) With spring-loaded rod guide for additional top latch from 2.500 mm door height

## Note:

Please specify the DIN direction for model 002 so that the correct striker plate "E-opener at top" can be supplied.

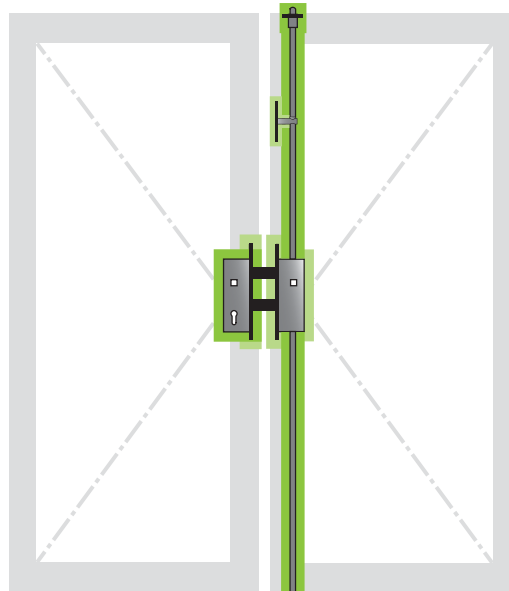
**Panic set 13**

- For double-sash doors up to a max. height of 2.500mm



**Active sash**

- Panic lock function E, B or D



**Inactive sash**

- Panic striker box
- Latch run-out plate
- Top lock with guide
- Striker plate - additional interlock, top
- Connecting rod for additional interlock, M5 x 1.550mm, top
- Rod guide with sinkhole for doors up to 2.500mm in height
- Locking rod, bottom
- Striker plate - floor, adjustable
  
- Optional:**
- Rod guide on sash, bottom

**Locking function E**

Part#	Backset	Front plate
14.528.3000.---	30	Flat front plate
14.528.3400.---	34	U-shaped front plate
14.528.3500.---	35	Flat front plate
14.528.3900.---	39	U-shaped front plate
14.528.4000.---	40	Flat front plate
14.528.4400.---	44	U-shaped front plate
14.528.4500.---	45	Flat front plate

**Locking function B**

Part#	Backset	Front plate
14.529.3000.---	30	Flat front plate
14.529.3400.---	34	U-shaped front plate
14.529.3500.---	35	Flat front plate
14.529.3900.---	39	U-shaped front plate
14.529.4000.---	40	Flat front plate
14.529.4400.---	44	U-shaped front plate
14.529.4500.---	45	Flat front plate

**Locking function D**

Part#	Backset	Front plate
14.530.3000.---	30	Flat front plate
14.530.3400.---	34	U-shaped front plate
14.530.3500.---	35	Flat front plate
14.530.3900.---	39	U-shaped front plate
14.530.4000.---	40	Flat front plate
14.530.4400.---	44	U-shaped front plate
14.530.4500.---	45	Flat front plate

**Model key**

---.000	Profile-independent (for tendering)	
---.003	Inactive sash with Z-profile (please specify profile series)	
---.004	Inactive sash with front plate profile (please specify profile series)	

**Further options:**

- 01) Prepared for CH-RZ
- 59) Protected latch retainer (only function E) – not for smoke- and fire-resistant doors
- 131) Lock monitoring
- 132) Striker box control (from 35 Backset)
- 136) Rod retainer striker box in retracted state – not for smoke- and fire-resistant doors

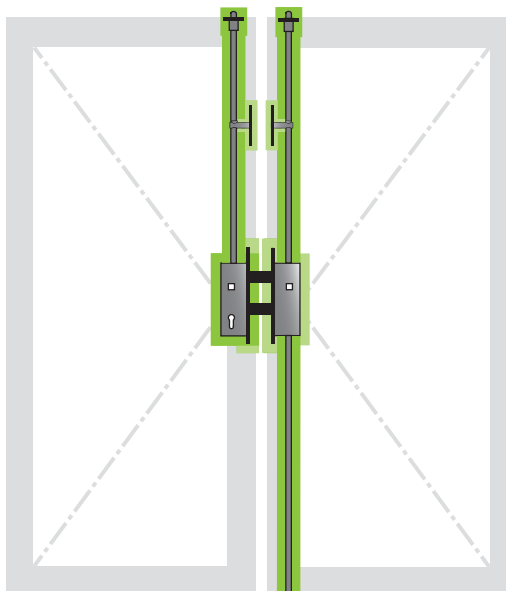
## Panic set 14

- For double-sash doors over 2.300 mm in height
- With an upper additional interlock



### Active sash

- Panic lock function E, B or D with additional interlock
- Striker plate - additional interlock, top
- Connecting rod for additional interlock, M5 x 1.550 mm
- Rod guide with sinkhole up to 2.500 mm door height, we recommend the model 139 for higher doors
- Latch for additional interlock with latch guide
- Striker plate - additional interlock



### Inactive sash

- Panic striker box
  - Latch run-out plate
  - Top lock with guide
  - Striker plate - additional interlock, top
  - Connecting rod for additional interlock, M5 x 1.550 mm, top
  - Rod guide with sinkhole up to 2.500 mm door height, we recommend the model 139 for higher doors
  - Locking rod, bottom
  - Striker plate - floor, adjustable
- Optional:**
- Rod guide on sash, bottom

### Locking function E

Part#	Backset	Front plate
14.532.3000.---	30	Flat front plate
14.532.3400.---	34	U-shaped front plate
14.532.3500.---	35	Flat front plate
14.532.3900.---	39	U-shaped front plate
14.532.4000.---	40	Flat front plate
14.532.4400.---	44	U-shaped front plate
14.532.4500.---	45	Flat front plate

### Model key

---.000	Profile-independent (for tendering)	
---.003	Inactive sash with Z-profile (please specify profile series)	
---.004	Inactive sash with front plate profile (please specify profile series)	

### Locking function B

Part#	Backset	Front plate
14.533.3000.---	30	Flat front plate
14.533.3400.---	34	U-shaped front plate
14.533.3500.---	35	Flat front plate
14.533.3900.---	39	U-shaped front plate
14.533.4000.---	40	Flat front plate
14.533.4400.---	44	U-shaped front plate
14.533.4500.---	45	Flat front plate

### Further options:

- 01) Prepared for CH-RZ
- 59) Protected latch retainer (only function E) – not for smoke- and fire-resistant doors
- 131) Lock monitoring
- 132) Striker box control (from 35 Backset)
- 136) Rod retainer striker box in retracted state – not for smoke- and fire-resistant doors
- 139) With spring-loaded rod guide for additional top latch from 2.500 mm door height

### Locking function D

Part#	Backset	Front plate
14.534.3000.---	30	Flat front plate
14.534.3400.---	34	U-shaped front plate
14.534.3500.---	35	Flat front plate
14.534.3900.---	39	U-shaped front plate
14.534.4000.---	40	Flat front plate
14.534.4400.---	44	U-shaped front plate
14.534.4500.---	45	Flat front plate

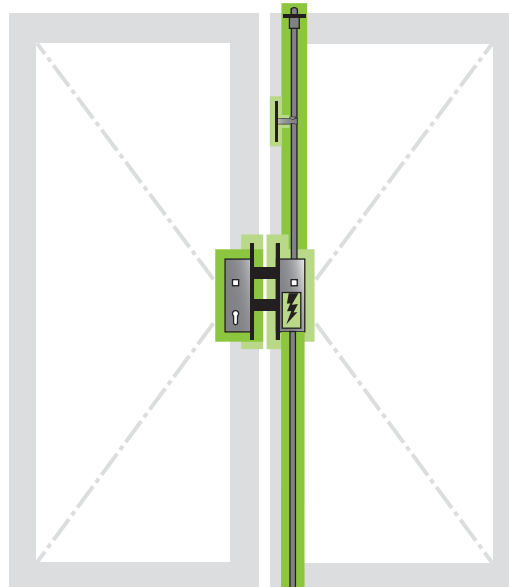
Panic set 15

- For double-sash doors up to a height of 2.500 mm



Active sash

- Panic lock function E or B



Inactive sash

- Panic striker box with e-opener
  - Latch run-out plate
  - Top lock with guide
  - Striker plate - additional interlock, top
  - Connecting rod for additional interlock, M5 x 1.550 mm, top
  - Rod guide with sinkhole for doors up to 2.500 mm in height
  - Locking rod, bottom
  - Striker plate - floor, adjustable
- Optional:**
- Rod guide on sash, bottom

Locking function E

Part#	Backset	Front plate	Direction
14.536.3000.---	30	Flat front plate	DIN right
14.536.3400.---	34	U-shaped front plate	DIN right
14.536.3500.---	35	Flat front plate	DIN right
14.536.3900.---	39	U-shaped front plate	DIN right
14.536.4000.---	40	Flat front plate	DIN right
14.536.4400.---	44	U-shaped front plate	DIN right
14.536.4500.---	45	Flat front plate	DIN right
14.537.3000.---	30	Flat front plate	DIN left
14.537.3400.---	34	U-shaped front plate	DIN left
14.537.3500.---	35	Flat front plate	DIN left
14.537.3900.---	39	U-shaped front plate	DIN left
14.537.4000.---	40	Flat front plate	DIN left
14.537.4400.---	44	U-shaped front plate	DIN left
14.537.4500.---	45	Flat front plate	DIN left

Locking function B

Part#	Backset	Front plate	Direction
14.538.3000.---	30	Flat front plate	DIN right
14.538.3400.---	34	U-shaped front plate	DIN right
14.538.3500.---	35	Flat front plate	DIN right
14.538.3900.---	39	U-shaped front plate	DIN right
14.538.4000.---	40	Flat front plate	DIN right
14.538.4400.---	44	U-shaped front plate	DIN right
14.538.4500.---	45	Flat front plate	DIN right
14.539.3000.---	30	Flat front plate	DIN left
14.539.3400.---	34	U-shaped front plate	DIN left
14.539.3500.---	35	Flat front plate	DIN left
14.539.3900.---	39	U-shaped front plate	DIN left
14.539.4000.---	40	Flat front plate	DIN left
14.539.4400.---	44	U-shaped front plate	DIN left
14.539.4500.---	45	Flat front plate	DIN left

Model key

---.000	Profile-independent (for tendering)	
---.003	Inactive sash with Z-profile (please specify profile series)	
---.004	Inactive sash with front plate profile (please specify profile series)	

Further options:

- 01) Prepared for CH-RZ
- 59) Protected latch retainer (only function E) – not for smoke- and fire-resistant doors
- 131) Lock monitoring
- 132) Striker box control (from 35 Backset)
- 136) Rod retainer striker box in retracted state – not for smoke- and fire-resistant doors

Note:

\*For doors over 2.500 mm in height, we recommend using the panic set 17 with spring-mounted rod guide (design 139).

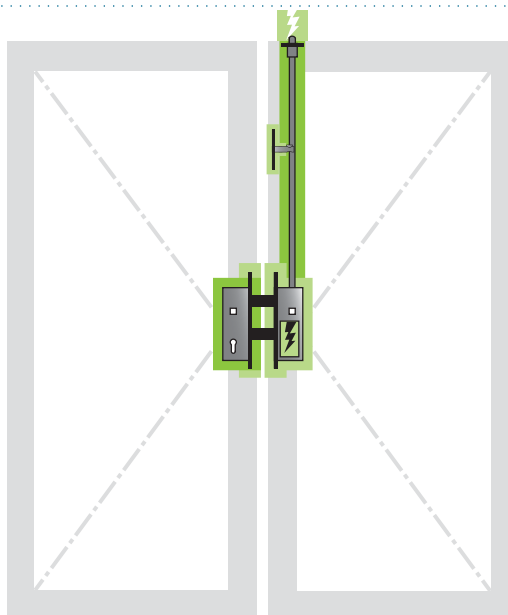
## Panic set 16

- For double-sash doors up to a max. height of 2.500 mm



### Active sash

- Panic lock function E, or B with monitoring
- Deadbolt monitoring to deactivate the drives when the deadbolt is actuated



### Inactive sash

- Panic striker box with e-opener
- Latch run-out plate
- Spring-mounted latch with guide
- Connecting rod for additional interlock, M5 x 1.550 mm, top
- Rod guide with sinkhole for doors up to 2.500 mm in height
- Striker plate - e-opener, top

### Locking function E

Part#	Backset	Front plate	Direction
14.540.3000.---	30	Flat front plate	DIN right
14.540.3400.---	34	U-shaped front plate	DIN right
14.540.3500.---	35	Flat front plate	DIN right
14.540.3900.---	39	U-shaped front plate	DIN right
14.540.4000.---	40	Flat front plate	DIN right
14.540.4400.---	44	U-shaped front plate	DIN right
14.540.4500.---	45	Flat front plate	DIN right
14.541.3000.---	30	Flat front plate	DIN left
14.541.3400.---	34	U-shaped front plate	DIN left
14.541.3500.---	35	Flat front plate	DIN left
14.541.3900.---	39	U-shaped front plate	DIN left
14.541.4000.---	40	Flat front plate	DIN left
14.541.4400.---	44	U-shaped front plate	DIN left
14.541.4500.---	45	Flat front plate	DIN left

### Locking function B

Part#	Backset	Front plate	Direction
14.542.3000.---	30	Flat front plate	DIN right
14.542.3400.---	34	U-shaped front plate	DIN right
14.542.3500.---	35	Flat front plate	DIN right
14.542.3900.---	39	U-shaped front plate	DIN right
14.542.4000.---	40	Flat front plate	DIN right
14.542.4400.---	44	U-shaped front plate	DIN right
14.542.4500.---	45	Flat front plate	DIN right
14.543.3000.---	30	Flat front plate	DIN left
14.543.3400.---	34	U-shaped front plate	DIN left
14.543.3500.---	35	Flat front plate	DIN left
14.543.3900.---	39	U-shaped front plate	DIN left
14.543.4000.---	40	Flat front plate	DIN left
14.543.4400.---	44	U-shaped front plate	DIN left
14.543.4500.---	45	Flat front plate	DIN left

### Model key

---.000	Profile-independent (for tendering)	
---.003	Inactive sash with Z-profile (please specify profile series)	
---.004	Inactive sash with front plate profile (please specify profile series)	

### Further options:

- 01) Prepared for CH-RZ
- 59) Protected latch retainer (only function E) – not for smoke- and fire-resistant doors
- 132) Striker box control (from 35 Backset)

### Note:

\*For doors over 2.500 mm in height, we recommend using the panic set 18 with spring-mounted rod guide (design 139).

E-opener for upper additional interlock not included in the set.

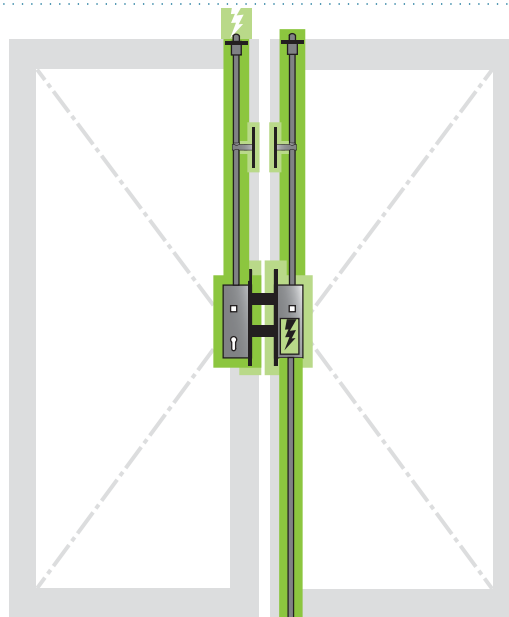
**Panic set 17**

- For double-sash doors over 2.300 mm in height
- With an upper additional interlock



**Active sash**

- Panic lock function E or B
- Striker plate - e-opener, top
- Connecting rod for additional interlock, M5 x 1.550 mm, top
- Rod guide with sinkhole up to 2.500 mm door height, we recommend the model 139 for higher doors
- Latch for additional interlock with latch guide



**Inactive sash**

- Panic striker box with e-opener
- Latch run-out plate
- Top lock with guide
- Striker plate - top lock
- Striker plate - additional interlock, top
- Connecting rod for additional interlock, M5 x 1.550 mm, top
- Rod guide with sinkhole up to 2.500 mm door height, we recommend the model 139 for higher doors
- Locking rod, bottom
- Striker plate - floor, adjustable

- Optional:**
- Rod guide on sash, bottom

**Locking function E**

Part#	Backset	Front plate	Direction
14.544.3000.---	30	Flat front plate	DIN right
14.544.3400.---	34	U-shaped front plate	DIN right
14.544.3500.---	35	Flat front plate	DIN right
14.544.3900.---	39	U-shaped front plate	DIN right
14.544.4000.---	40	Flat front plate	DIN right
14.544.4400.---	44	U-shaped front plate	DIN right
14.544.4500.---	45	Flat front plate	DIN right
14.545.3000.---	30	Flat front plate	DIN left
14.545.3400.---	34	U-shaped front plate	DIN left
14.545.3500.---	35	Flat front plate	DIN left
14.545.3900.---	39	U-shaped front plate	DIN left
14.545.4000.---	40	Flat front plate	DIN left
14.545.4400.---	44	U-shaped front plate	DIN left
14.545.4500.---	45	Flat front plate	DIN left

**Locking function B**

Part#	Backset	Front plate	Direction
14.546.3000.---	30	Flat front plate	DIN right
14.546.3400.---	34	U-shaped front plate	DIN right
14.546.3500.---	35	Flat front plate	DIN right
14.546.3900.---	39	U-shaped front plate	DIN right
14.546.4000.---	40	Flat front plate	DIN right
14.546.4400.---	44	U-shaped front plate	DIN right
14.546.4500.---	45	Flat front plate	DIN right
14.547.3000.---	30	Flat front plate	DIN left
14.547.3400.---	34	U-shaped front plate	DIN left
14.547.3500.---	35	Flat front plate	DIN left
14.547.3900.---	39	U-shaped front plate	DIN left
14.547.4000.---	40	Flat front plate	DIN left
14.547.4400.---	44	U-shaped front plate	DIN left
14.547.4500.---	45	Flat front plate	DIN left

**Model key**

---.000	Profile-independent (for tendering)	
---.003	Inactive sash with Z-profile (please specify profile series)	
---.004	Inactive sash with front plate profile (please specify profile series)	

- Further options:**
- 01) Prepared for CH-RZ
  - 59) Protected latch retainer (only function E) – not for smoke- and fire-resistant doors
  - 131) Lock monitoring
  - 132) Striker box control (from 35 Backset)
  - 136) Rod retainer striker box in retracted state – not for smoke- and fire-resistant doors
  - 139) With spring-loaded rod guide for additional top latch from 2.500 mm door height

**Note:**  
E-opener for upper additional interlock not included in the set.



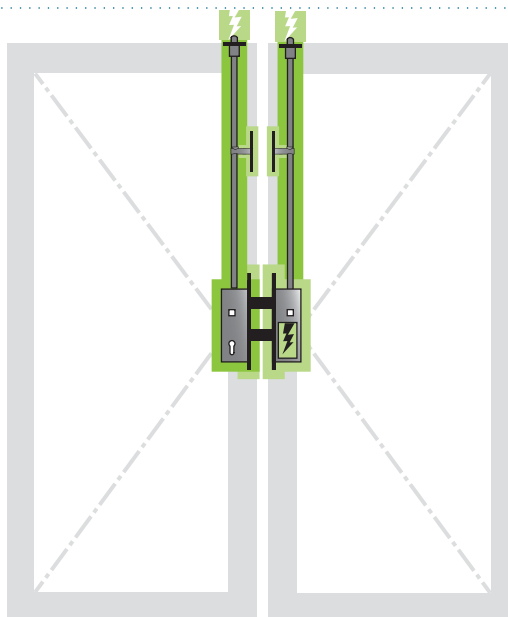
## Panic set 18

- For double-sash, automatically operated doors from 2.300 mm up to 3.000 mm in height
- With an upper additional interlock



### Active sash

- Panic lock function E or B with additional interlock
- Striker plate - e-opener, top
- Connecting rod for additional interlock, M5 x 1.550 mm, top
- Rod guide with sinkhole up to 2.500 mm door height, we recommend the model 139 for higher doors
- Latch for additional interlock with latch guide



### Inactive sash

- Panic striker box with e-opener
- Latch run-out plate
- Spring-mounted latch with guide
- Striker plate - e-opener, top
- Connecting rod for additional interlock, M5 x 1.550 mm, top
- Rod guide with sinkhole up to 2.500 mm door height, we recommend the model 139 for higher doors

### Locking function E

Part#	Backset	Front plate	Direction
14.548.3000.---	30	Flat front plate	DIN right
14.548.3400.---	34	U-shaped front plate	DIN right
14.548.3500.---	35	Flat front plate	DIN right
14.548.3900.---	39	U-shaped front plate	DIN right
14.548.4000.---	40	Flat front plate	DIN right
14.548.4400.---	44	U-shaped front plate	DIN right
14.548.4500.---	45	Flat front plate	DIN right
14.549.3000.---	30	Flat front plate	DIN left
14.549.3400.---	34	U-shaped front plate	DIN left
14.549.3500.---	35	Flat front plate	DIN left
14.549.3900.---	39	U-shaped front plate	DIN left
14.549.4000.---	40	Flat front plate	DIN left
14.549.4400.---	44	U-shaped front plate	DIN left
14.549.4500.---	45	Flat front plate	DIN left

### Locking function B

Part#	Backset	Front plate	Direction
14.550.3000.---	30	Flat front plate	DIN right
14.550.3400.---	34	U-shaped front plate	DIN right
14.550.3500.---	35	Flat front plate	DIN right
14.550.3900.---	39	U-shaped front plate	DIN right
14.550.4000.---	40	Flat front plate	DIN right
14.550.4400.---	44	U-shaped front plate	DIN right
14.550.4500.---	45	Flat front plate	DIN right
14.551.3000.---	30	Flat front plate	DIN left
14.551.3400.---	34	U-shaped front plate	DIN left
14.551.3500.---	35	Flat front plate	DIN left
14.551.3900.---	39	U-shaped front plate	DIN left
14.551.4000.---	40	Flat front plate	DIN left
14.551.4400.---	44	U-shaped front plate	DIN left
14.551.4500.---	45	Flat front plate	DIN left

### Model key

---.000	Profile-independent (for tendering)	
---.003	Inactive sash with Z-profile (please specify profile series)	
---.004	Inactive sash with front plate profile (please specify profile series)	

### Further options:

- 01) Prepared for CH-RZ
- 59) Protected latch retainer (only function E) – not for smoke- and fire-resistant doors
- 132) Striker box control (from 35 Backset)
- 136) Rod retainer striker box in retracted state – not for smoke- and fire-resistant doors
- 139) With spring-loaded rod guide for additional top latch from 2.500 mm door height

### Note:

If model 136 is used to release both sashes for daytime operation, the secure version (model 59) must be provided for the lock!

E-openers for upper additional interlock are not included in the set.

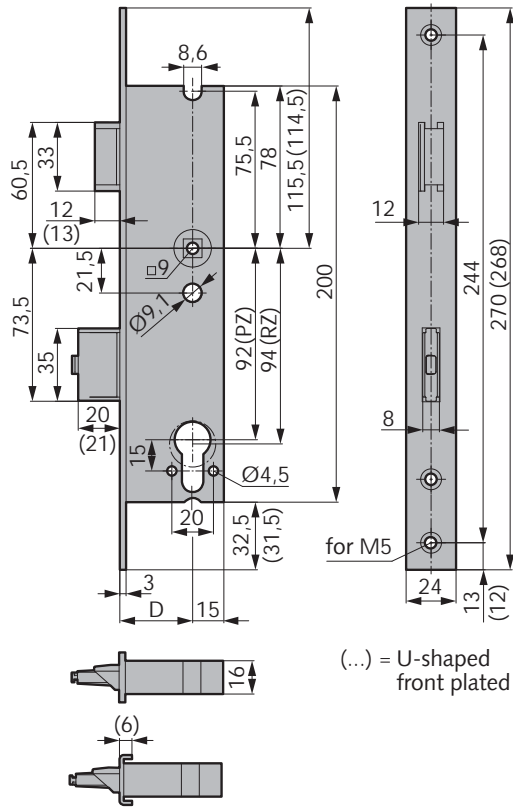


Illustration shows lock with split follower, double-sash

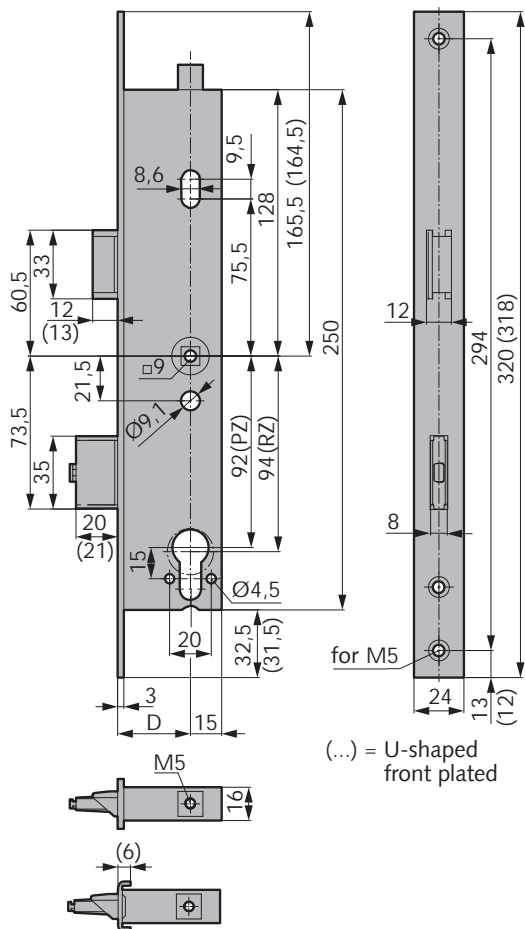


Illustration shows lock with upper additional interlock and split follower, double-sash

## Series 200 panic locks



- Latch and deadbolt
- 20 mm deadbolt projection (1-turn)
- Prepared for profile cylinder
- 92 mm distance
- Flip over latch (delivered in DIN right)
- Egress direction can be changed
- 9 mm square
- Flat or U-shaped front plate, stainless steel V2A, matt brushed
- Latch and deadbolt flush (flat front plate) or 1 mm proud (U-shaped front plate)

## Locking function E\*

Backset	Front plate	Part# single-sash	Part# single-sash with additional interlock	Part# double-sash	Part# double-sash with additional interlock
30	Flat front plate	14.160.3000.426	14.172.3000.426	14.166.3000.426	14.178.3000.426
34	U-shaped front plate	14.160.3400.426	14.172.3400.426	14.166.3400.426	14.178.3400.426
35	Flat front plate	14.160.3500.426	14.172.3500.426	14.166.3500.426	14.178.3500.426
39	U-shaped front plate	14.160.3900.426	14.172.3900.426	14.166.3900.426	14.178.3900.426
40	Flat front plate	14.160.4000.426	14.172.4000.426	14.166.4000.426	14.178.4000.426
44	U-shaped front plate	14.160.4400.426	14.172.4400.426	14.166.4400.426	14.178.4400.426
45	Flat front plate	14.160.4500.426	14.172.4500.426	14.166.4500.426	14.178.4500.426

## Locking function B\*

Backset	Front plate	Part# single-sash	Part# single-sash with additional interlock	Part# double-sash	Part# double-sash with additional interlock
30	Flat front plate	14.164.3000.426	14.176.3000.426	14.170.3000.426	14.182.3000.426
34	U-shaped front plate	14.164.3400.426	14.176.3400.426	14.170.3400.426	14.182.3400.426
35	Flat front plate	14.164.3500.426	14.176.3500.426	14.170.3500.426	14.182.3500.426
39	U-shaped front plate	14.164.3900.426	14.176.3900.426	14.170.3900.426	14.182.3900.426
40	Flat front plate	14.164.4000.426	14.176.4000.426	14.170.4000.426	14.182.4000.426
44	U-shaped front plate	14.164.4400.426	14.176.4400.426	14.170.4400.426	14.182.4400.426
45	Flat front plate	14.164.4500.426	14.176.4500.426	14.170.4500.426	14.182.4500.426

## Locking function D\*

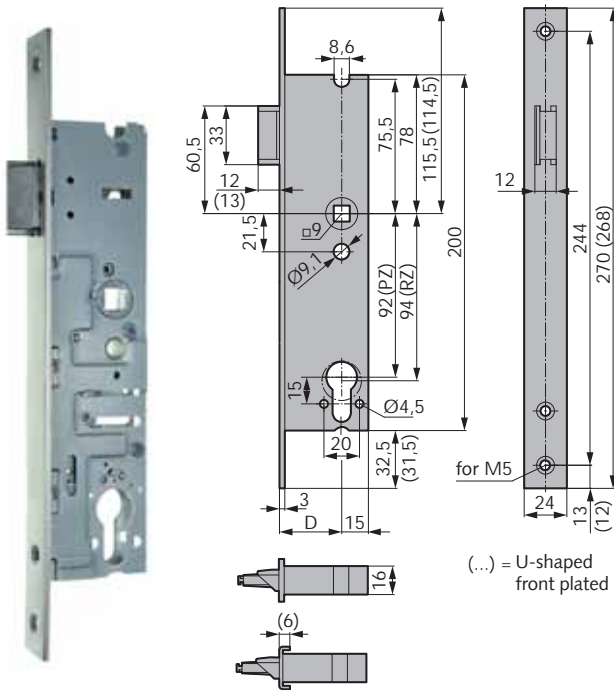
Backset	Front plate	Part# single-sash	Part# single-sash with additional interlock	Part# double-sash	Part# double-sash with additional interlock
30	Flat front plate	14.162.3000.426	14.174.3000.426	14.168.3000.426	14.180.3000.426
34	U-shaped front plate	14.162.3400.426	14.174.3400.426	14.168.3400.426	14.180.3400.426
35	Flat front plate	14.162.3500.426	14.174.3500.426	14.168.3500.426	14.180.3500.426
39	U-shaped front plate	14.162.3900.426	14.174.3900.426	14.168.3900.426	14.180.3900.426
40	Flat front plate	14.162.4000.426	14.174.4000.426	14.168.4000.426	14.180.4000.426
44	U-shaped front plate	14.162.4400.426	14.174.4400.426	14.168.4400.426	14.180.4400.426
45	Flat front plate	14.162.4500.426	14.174.4500.426	14.168.4500.426	14.180.4500.426

## Further options:

- 01) Prepared for CH-RZ
- 11) Flat front plate 22 x 3 mm
- 54) Latch 3 mm proud (only 35 backset)
- 59) Protected latch retainer (only function E) – not for smoke- and fire-resistant doors
- 131) Lock monitoring

## Note:

\* Explanation of the locking function .....Page 17



Panic latch lock



- Flat front plate 270mm
- 9 mm square
- With changeover

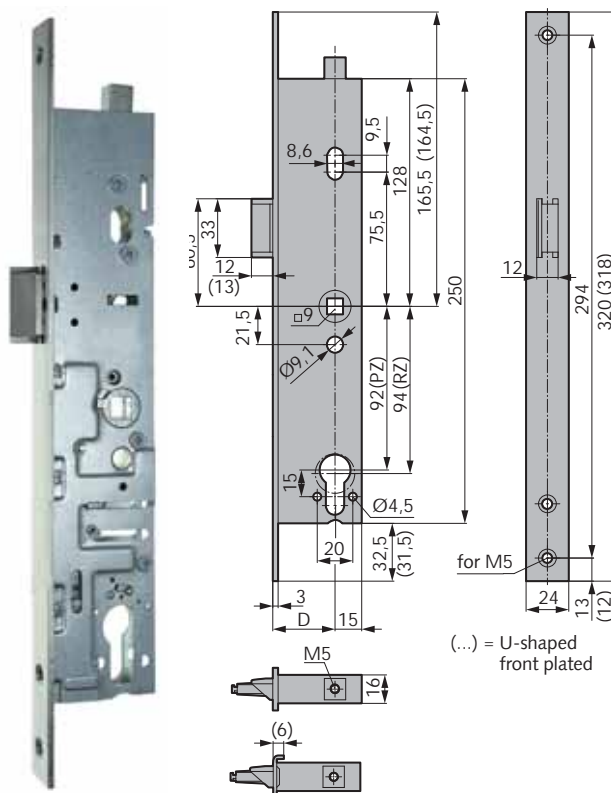
Part#	Backset	Front plate	Material/finish
14.145.3000.426	30	Flat front plate	304 matt brushed
14.145.3400.426	34	U-shaped front plate	304 matt brushed
14.145.3500.426	35	Flat front plate	304 matt brushed
14.145.3900.426	39	U-shaped front plate	304 matt brushed
14.145.4000.426	40	Flat front plate	304 matt brushed
14.145.4400.426	44	U-shaped front plate	304 matt brushed
14.145.4500.426	45	Flat front plate	304 matt brushed

Further options:

- 01) Prepared for CH-RZ
- 11) Flat front plate 22 x 3 mm
- 54) Latch 3 mm proud (only 35 backset)

Note:

The panic latch locks according to EN 179 and EN 1125 are planned for use in doors in fire sections that should not be locked.



### Panic latch lock with additional interlock

- Flachstulp 320 mm
- 9 mm Vierkant



Part#	Backset	Front plate	Material/finish
14.159.3000.426	30	Flat front plate	304 matt brushed
14.159.3400.426	34	U-shaped front plate	304 matt brushed
14.159.3500.426	35	Flat front plate	304 matt brushed
14.159.3900.426	39	U-shaped front plate	304 matt brushed
14.159.4000.426	40	Flat front plate	304 matt brushed
14.159.4400.426	44	U-shaped front plate	304 matt brushed
14.159.4500.426	45	Flat front plate	304 matt brushed

**Further options:**

- 01) Prepared for CH-RZ
- 11) Flat front plate 22 x 3 mm
- 54) Latch 3 mm proud (only 35 backset)

**Note:**

The panic latch locks according to EN 179 and EN 1125 are planned for use in doors in fire sections that should not be locked.

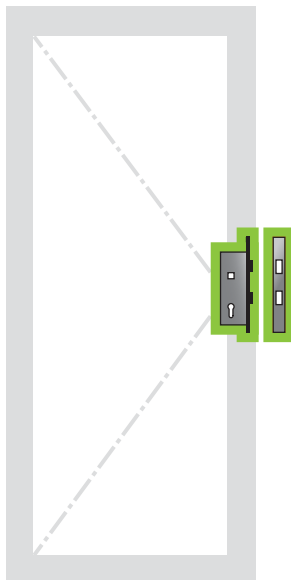
## Self-locking panic set 21

- For single-sash doors up to a max. height of 2.500 mm
- The deadbolt and latch close automatically when the door is locked



### Active sash

- Self-locking panic lock function E, B or EDS
- Frame side:
  - Striker plate - main lock
  - Latch run-out plate



### Locking function E

Part#	Backset	Front plate
14.220.3400.---	34	U-shaped front plate
14.220.3500.---	35	Flat front plate
14.220.3900.---	39	U-shaped front plate
14.220.4000.---	40	Flat front plate
14.220.4400.---	44	U-shaped front plate
14.220.4500.---	45	Flat front plate

### Locking function B

Part#	Backset	Front plate
14.221.3400.---	34	U-shaped front plate
14.221.3500.---	35	Flat front plate
14.221.3900.---	39	U-shaped front plate
14.221.4000.---	40	Flat front plate
14.221.4400.---	44	U-shaped front plate
14.221.4500.---	45	Flat front plate

### Locking function EDS

Part#	Backset	Front plate
14.222.3400.---	34	U-shaped front plate
14.222.3500.---	35	Flat front plate
14.222.3900.---	39	U-shaped front plate
14.222.4000.---	40	Flat front plate
14.222.4400.---	44	U-shaped front plate
14.222.4500.---	45	Flat front plate

### Model key

---.000	Profile-independent (for tendering)
---.001	Striker plate closed, for outward opening doors (please specify profile series)
---.002	Striker plate for electric door opener, for outward opening doors (please specify profile series) (E-opener not included in set)

### Further options:

- 01) Prepared for CH-RZ
- 59) Protected latch retainer (only function E) – not for smoke- and fire-resistant doors
- 130) Protected deadbolt retainer (only function E)
- 131) Lock monitoring

### Note:

The protected latch retainer (model 59) automatically entails a deadbolt retainer for self-locking panic locks in a switched back state.

\*For doors over 2.500 mm in height, we recommend using the self-locking panic set 22 in the design 139.

The EDS lock is available without the panic function in a special design for a sluice function (part# 14.223.-----).

## Self-locking panic set 22



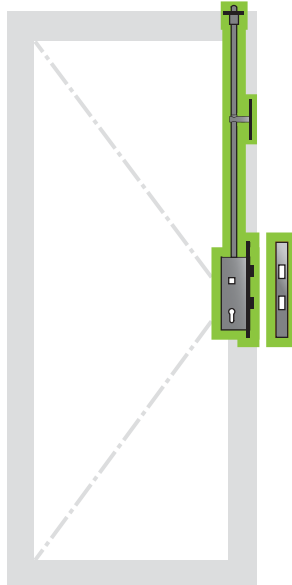
- For single-sash doors over 2.300 mm in height
- The deadbolt and latch close automatically when the door is locked
- With an upper additional interlock

## Active sash

- Self-locking panic lock function E, B or EDS with additional interlock
- Latch run-out plate
- Connecting rod for additional interlock, M5 x 1.550 mm
- Latch for additional interlock with latch guide
- Rod guide with sinkhole up to 2.500 mm door height, we recommend the model 139 for higher doors

## Frame side:

- Striker plate - main lock
- Striker plate - additional interlock



## Locking function E

Part#	Backset	Front plate
14.224.3400.---	34	U-shaped front plate
14.224.3500.---	35	Flat front plate
14.224.3900.---	39	U-shaped front plate
14.224.4000.---	40	Flat front plate
14.224.4400.---	44	U-shaped front plate
14.224.4500.---	45	Flat front plate

## Locking function B

Part#	Backset	Front plate
14.225.3400.---	34	U-shaped front plate
14.225.3500.---	35	Flat front plate
14.225.3900.---	39	U-shaped front plate
14.225.4000.---	40	Flat front plate
14.225.4400.---	44	U-shaped front plate
14.225.4500.---	45	Flat front plate

## Locking function EDS

Part#	Backset	Front plate
14.226.3400.---	34	U-shaped front plate
14.226.3500.---	35	Flat front plate
14.226.3900.---	39	U-shaped front plate
14.226.4000.---	40	Flat front plate
14.226.4400.---	44	U-shaped front plate
14.226.4500.---	45	Flat front plate

## Model key

---.000	Profile-independent (for tendering)
---.001	Striker plate closed, for outward opening doors (please specify profile series)
---.002	Striker plate for electric door opener, for outward opening doors (please specify profile series) (E-opener not included in set)

## Further options:

- 01) Prepared for CH-RZ
- 59) Protected latch retainer (only function E) – not for smoke- and fire-resistant doors
- 130) Protected deadbolt retainer (only function E)
- 131) Lock monitoring
- 139) With spring-loaded rod guide for additional top latch from 2.500 mm door height

## Note:

The protected latch retainer(model 59) automatically entails a deadbolt retainer for self-locking panic locks in a switched back state.

The EDS lock is available without the panic function in a special design for a sluice function (part# 14.227.-----).

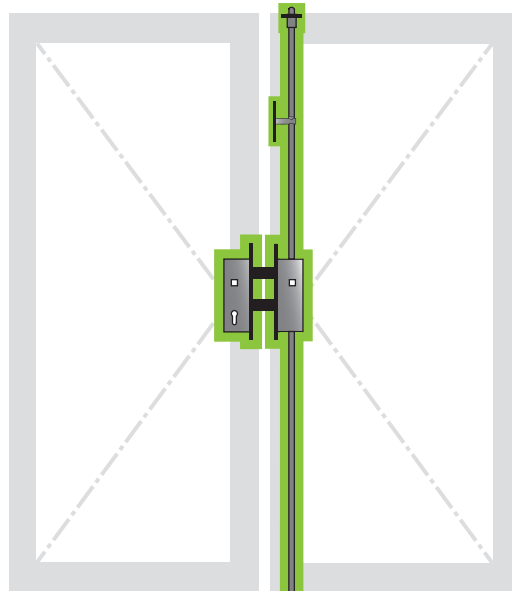
**Self-locking panic set 23**

- For double-sash doors up to a max. height of 2.500mm
- The deadbolt and latch close automatically when the door is locked



**Active sash**

- Self-locking panic lock function E, B or EDS



**Inactive sash**

- Panic striker box
  - Latch run-out plate
  - Top lock with guide
  - Striker plate - additional interlock, top
  - Connecting rod for additional interlock, M5 x 1.550mm, top
  - Rod guide with sinkhole for doors up to 2.500mm in height
  - Locking rod, bottom
  - Striker plate - floor, adjustable
- Optional:**
- Rod guide on sash, bottom

**Locking function E**

Part#	Backset	Front plate
14.228.3400.---	34	U-shaped front plate
14.228.3500.---	35	Flat front plate
14.228.3900.---	39	U-shaped front plate
14.228.4000.---	40	Flat front plate
14.228.4400.---	44	U-shaped front plate
14.228.4500.---	45	Flat front plate

**Locking function B**

Part#	Backset	Front plate
14.229.3400.---	34	U-shaped front plate
14.229.3500.---	35	Flat front plate
14.229.3900.---	39	U-shaped front plate
14.229.4000.---	40	Flat front plate
14.229.4400.---	44	U-shaped front plate
14.229.4500.---	45	Flat front plate

**Locking function EDS**

Part#	Backset	Front plate
14.230.3400.---	34	U-shaped front plate
14.230.3500.---	35	Flat front plate
14.230.3900.---	39	U-shaped front plate
14.230.4000.---	40	Flat front plate
14.230.4400.---	44	U-shaped front plate
14.230.4500.---	45	Flat front plate

**Model key**

---.000	Profile-independent (for tendering)	
---.003	Inactive sash with Z-profile (please specify profile series)	
---.004	Inactive sash with front plate profile (please specify profile series)	

**Further options:**

- 01) Prepared for CH-RZ
- 59) Protected latch retainer (only function E) – not for smoke- and fire-resistant doors
- 131) Lock monitoring
- 132) Striker box control (from 35 Backset)
- 136) Rod retainer striker box in retracted state – not for smoke- and fire-resistant doors

**Note:**

The protected latch retainer (model 59) automatically entails a deadbolt retainer for self-locking panic locks in a switched back state.

\*For doors over 2.500mm in height, we recommend using the panic set 24.



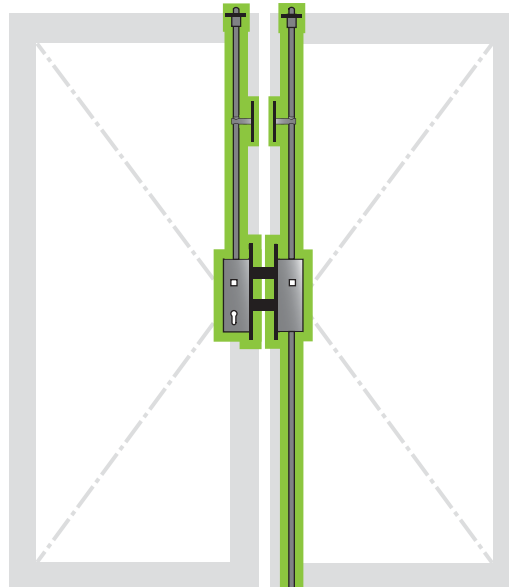
## Self-locking panic set 24



- For double-sash doors over 2.300 mm in height
- The deadbolt and latch close automatically when the door is locked
- With an upper additional interlock

### Active sash

- Self-locking panic lock function E, B or EDS with additional interlock
- Striker plate - additional interlock, top
- Connecting rod for additional interlock, M5 x 1.550 mm
- Rod guide with sinkhole up to 2.500 mm door height, we recommend the model 139 for higher doors
- Latch for additional interlock with latch guide
- Striker plate - additional interlock



### Inactive sash

- Panic striker box
  - Latch run-out plate
  - Top lock with guide
  - Striker plate - additional interlock, top
  - Connecting rod for additional interlock, M5 x 1.550 mm, top
  - Rod guide with sinkhole up to 2.500 mm door height, we recommend the model 139 for higher doors
  - Locking rod, bottom
  - Striker plate - floor, adjustable
- Optional:**
- Rod guide on sash, bottom

### Locking function E

Part#	Backset	Front plate
14.232.3400.---	34	U-shaped front plate
14.232.3500.---	35	Flat front plate
14.232.3900.---	39	U-shaped front plate
14.232.4000.---	40	Flat front plate
14.232.4400.---	44	U-shaped front plate
14.232.4500.---	45	Flat front plate

### Model key

---.000	Profile-independent (for tendering)	
---.003	Inactive sash with Z-profile (please specify profile series)	
---.004	Inactive sash with front plate profile (please specify profile series)	

### Locking function B

Part#	Backset	Front plate
14.233.3400.---	34	U-shaped front plate
14.233.3500.---	35	Flat front plate
14.233.3900.---	39	U-shaped front plate
14.233.4000.---	40	Flat front plate
14.233.4400.---	44	U-shaped front plate
14.233.4500.---	45	Flat front plate

### Further options:

- 01) Prepared for CH-RZ
- 59) Protected latch retainer (only function E) – not for smoke- and fire-resistant doors
- 131) Lock monitoring
- 132) Striker box control (from 35 Backset)
- 136) Rod retainer striker box in retracted state – not for smoke- and fire-resistant doors
- 139) With spring-loaded rod guide for additional top latch from 2.500 mm door height

### Locking function EDS

Part#	Backset	Front plate
14.234.3400.---	34	U-shaped front plate
14.234.3500.---	35	Flat front plate
14.234.3900.---	39	U-shaped front plate
14.234.4000.---	40	Flat front plate
14.234.4400.---	44	U-shaped front plate
14.234.4500.---	45	Flat front plate

### Note:

The protected latch retainer (model 59) automatically entails a deadbolt retainer for self-locking panic locks in a switched back state.

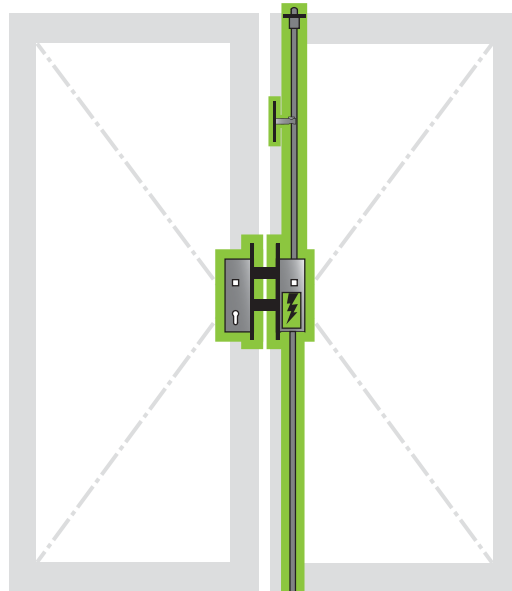
**Self-locking panic set 25**

- For double-sash doors up to a height of 2.500 mm
- The deadbolt and latch close automatically when the door is locked



**Active sash**

- Self-locking panic lock function E with protected deadbolt retainer (130)



**Inactive sash**

- Panic striker box with e-opener
  - Latch run-out plate
  - Top lock with guide
  - Striker plate - additional interlock, top
  - Connecting rod for additional interlock, M5 x 1.550 mm, top
  - Rod guide with sinkhole for doors up to 2.500 mm in height
  - Locking rod, bottom
  - Striker plate - floor, adjustable
- Optional:**
- Rod guide on sash, bottom

**Locking function E**

Part#	Backset	Front plate	Direction
14.236.3400.---	34	U-shaped front plate	DIN right
14.236.3500.---	35	Flat front plate	DIN right
14.236.3900.---	39	U-shaped front plate	DIN right
14.236.4000.---	40	Flat front plate	DIN right
14.236.4400.---	44	U-shaped front plate	DIN right
14.236.4500.---	45	Flat front plate	DIN right
14.237.3400.---	34	U-shaped front plate	DIN left
14.237.3500.---	35	Flat front plate	DIN left
14.237.3900.---	39	U-shaped front plate	DIN left
14.237.4000.---	40	Flat front plate	DIN left
14.237.4400.---	44	U-shaped front plate	DIN left
14.237.4500.---	45	Flat front plate	DIN left

**Model key**

---.000	Profile-independent (for tendering)	
---.003	Inactive sash with Z-profile (please specify profile series)	
---.004	Inactive sash with front plate profile (please specify profile series)	

**Further options:**

- 01) Prepared for CH-RZ
- 59) Protected latch retainer (only function E) – not for smoke- and fire-resistant doors
- 131) Lock monitoring
- 132) Striker box control (from 35 Backset)
- 136) Rod retainer striker box in retracted state – not for smoke- and fire-resistant doors

**Note:**

The protected latch retainer (model 59) automatically entails a deadbolt retainer for self-locking panic locks in a switched back state.

\*For doors over 2.500 mm in height, we recommend using the panic set 27 with spring-mounted rod guide (design 139).

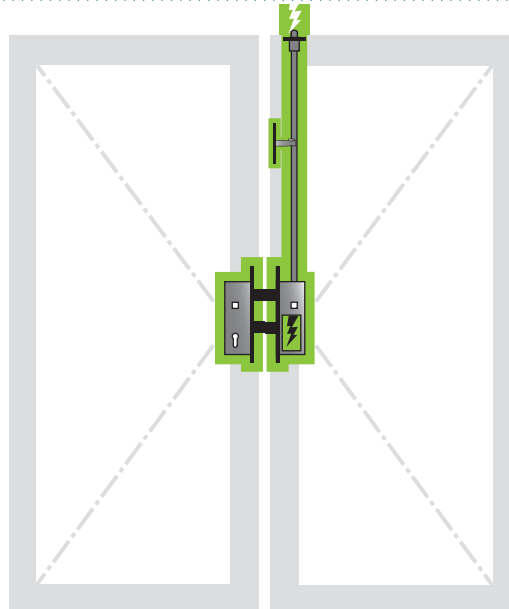
## Self-locking panic set 26

- for double-sash, automatically operated doors up to 2.500 mm in height
- The deadbolt and latch close automatically when the door is locked



### Active sash

- Self-locking panic lock function E with protected deadbolt retainer and lock monitoring (502)



### Inactive sash

- Panic striker box with e-opener
- Latch run-out plate
- Spring-mounted latch with guide
- Connecting rod for additional interlock, M5 x 1.550 mm, top
- Rod guide with sinkhole for doors up to 2.500 mm in height
- Striker plate - e-opener, top

### Locking function E

Part#	Backset	Front plate	Direction
14.240.3400.---	34	U-shaped front plate	DIN right
14.240.3500.---	35	Flat front plate	DIN right
14.240.3900.---	39	U-shaped front plate	DIN right
14.240.4000.---	40	Flat front plate	DIN right
14.240.4400.---	44	U-shaped front plate	DIN right
14.240.4500.---	45	Flat front plate	DIN right
14.241.3400.---	34	U-shaped front plate	DIN left
14.241.3500.---	35	Flat front plate	DIN left
14.241.3900.---	39	U-shaped front plate	DIN left
14.241.4000.---	40	Flat front plate	DIN left
14.241.4400.---	44	U-shaped front plate	DIN left
14.241.4500.---	45	Flat front plate	DIN left

### Model key

---.000	Profile-independent (for tendering)	
---.003	Inactive sash with Z-profile (please specify profile series)	
---.004	Inactive sash with front plate profile (please specify profile series)	

### Further options:

- 01) Prepared for CH-RZ
- 59) Protected latch retainer (only function E) – not for smoke- and fire-resistant doors
- 132) Striker box control (from 35 Backset)

### Note:

The protected latch retainer (model 59) automatically entails a deadbolt retainer for self-locking panic locks in a switched back state.

\*For doors over 2.500 mm in height, we recommend using the panic set 28 with spring-mounted rod guide (design 139).

E-opener for upper additional interlock not included in the set.

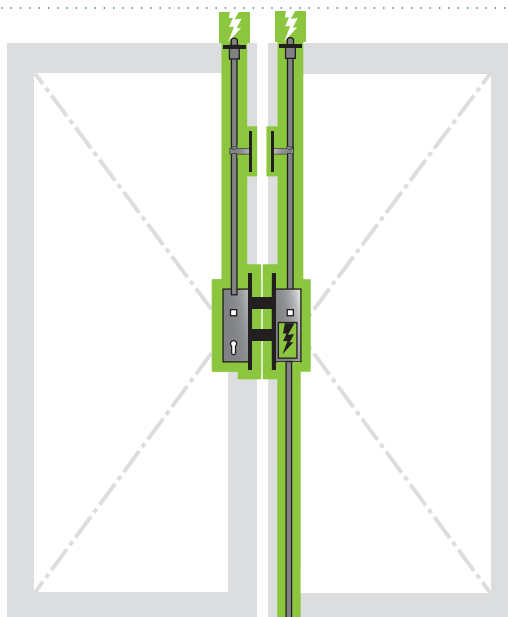
### Self-locking panic set 27

- For double-sash doors over 2.300 mm in height
- The deadbolt and latch close automatically when the door is locked
- With an upper additional interlock



#### Active sash

- Self-locking panic lock function E with protected deadbolt retainer (model 130)
- Striker plate - e-opener, top
- Connecting rod for additional interlock, M5 x 1.550 mm, top
- Rod guide with sinkhole up to 2.500 mm door height, we recommend the model 139 for higher doors
- Latch for additional interlock with latch guide



#### Inactive sash

- Panic striker box with e-opener
  - Latch run-out plate
  - Top lock with guide
  - Striker plate - top lock
  - Striker plate - additional interlock, top
  - Connecting rod for additional interlock, M5 x 1.550 mm, top
  - Rod guide with sinkhole up to 2.500 mm door height, we recommend the model 139 for higher doors
  - Locking rod, bottom
  - Striker plate - floor, adjustable
- Optional:**
- Rod guide on sash, bottom

#### Locking function E

Part#	Backset	Front plate	Direction
14.238.3400.---	34	U-shaped front plate	DIN right
14.238.3500.---	35	Flat front plate	DIN right
14.238.3900.---	39	U-shaped front plate	DIN right
14.238.4000.---	40	Flat front plate	DIN right
14.238.4400.---	44	U-shaped front plate	DIN right
14.238.4500.---	45	Flat front plate	DIN right
14.239.3400.---	34	U-shaped front plate	DIN left
14.239.3500.---	35	Flat front plate	DIN left
14.239.3900.---	39	U-shaped front plate	DIN left
14.239.4000.---	40	Flat front plate	DIN left
14.239.4400.---	44	U-shaped front plate	DIN left
14.239.4500.---	45	Flat front plate	DIN left

#### Model key

---.000	Profile-independent (for tendering)	
---.003	Inactive sash with Z-profile (please specify profile series)	
---.004	Inactive sash with front plate profile (please specify profile series)	

#### Further options:

- 01) Prepared for CH-RZ
- 59) Protected latch retainer (only function E) – not for smoke- and fire-resistant doors
- 131) Lock monitoring
- 132) Striker box control (from 35 Backset)
- 136) Rod retainer striker box in retracted state – not for smoke- and fire-resistant doors
- 139) With spring-loaded rod guide for additional top latch from 2.500 mm door height

#### Note:

The protected latch retainer (model 59) automatically entails a deadbolt retainer for self-locking panic locks in a switched back state.

E-openers for upper additional interlock are not included in the set.

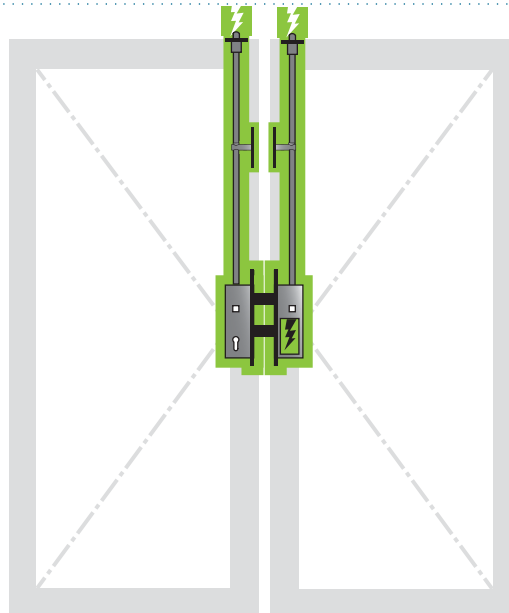
## Self-locking panic set 28

- For double-sash, automatically operated doors over 2.300mm in height
- The deadbolt and latch close automatically when the door is locked
- With an upper additional interlock



## Active sash

- Self-locking panic lock function E with protected deadbolt retainer and lock monitoring (model 502) and additional interlock
- Striker plate - e-opener, top
- Connecting rod for additional interlock, M5 x 1.550 mm, top
- Rod guide with sinkhole up to 2.500 mm door height, we recommend the model 139 for higher doors
- Latch for additional interlock with latch guide



## Inactive sash

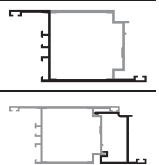
- Panic striker box with e-opener
- Latch run-out plate
- Spring-mounted latch with guide
- Striker plate - e-opener, top
- Connecting rod for additional interlock, M5 x 1.550 mm, top
- Rod guide with sinkhole up to 2.500 mm door height, we recommend the model 139 for higher doors

## Locking function E

Part#	Backset	Front plate	Direction
14.242.3400.---	34	U-shaped front plate	DIN right
14.242.3500.---	35	Flat front plate	DIN right
14.242.3900.---	39	U-shaped front plate	DIN right
14.242.4000.---	40	Flat front plate	DIN right
14.242.4400.---	44	U-shaped front plate	DIN right
14.242.4500.---	45	Flat front plate	DIN right
14.243.3400.---	34	U-shaped front plate	DIN left
14.243.3500.---	35	Flat front plate	DIN left
14.243.3900.---	39	U-shaped front plate	DIN left
14.243.4000.---	40	Flat front plate	DIN left
14.243.4400.---	44	U-shaped front plate	DIN left
14.243.4500.---	45	Flat front plate	DIN left

## Model key

---.000	Profile-independent (for tendering)
---.003	Inactive sash with Z-profile (please specify profile series)
---.004	Inactive sash with front plate profile (please specify profile series)



## Further options:

- 01) Prepared for CH-RZ
- 59) Protected latch retainer (only function E) – not for smoke- and fire-resistant doors
- 132) Striker box control (from 35 Backset)
- 136) Rod retainer striker box in retracted state – not for smoke- and fire-resistant doors
- 139) With spring-loaded rod guide for additional top latch from 2.500mm door height

## Note:

The protected latch retainer (model 59) automatically entails a deadbolt retainer for self-locking panic locks in a switched back state.

E-openers for upper additional interlock are not included in the set.

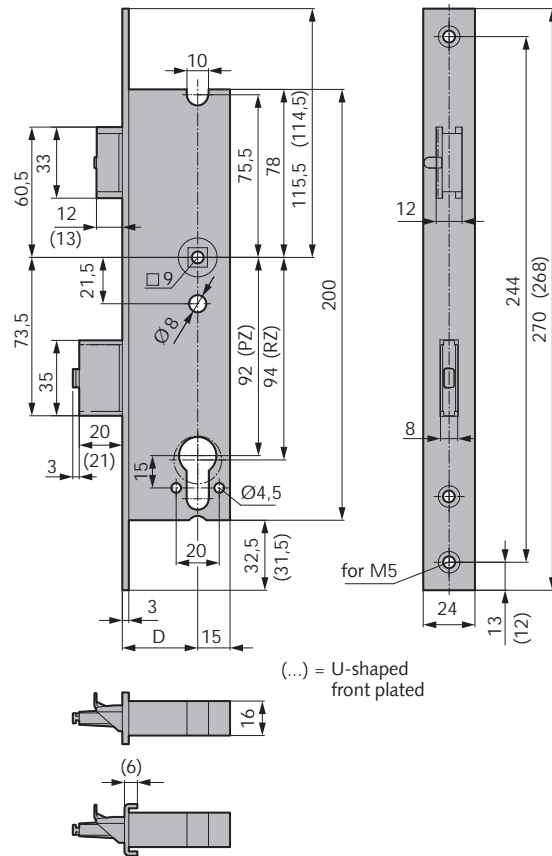


Illustration shows lock with split follower, double-sash

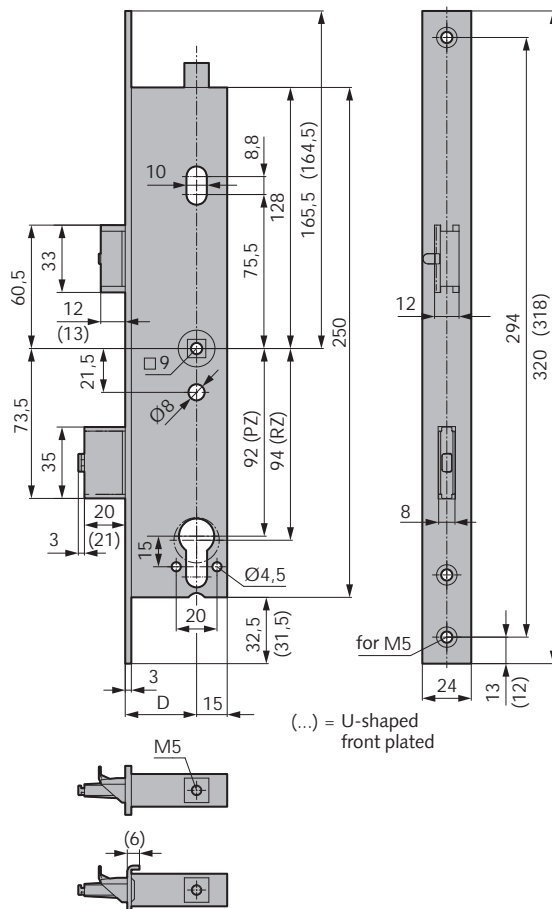


Illustration shows lock with upper additional interlock and split follower, double-sash

## Series 200 self-locking panic locks

- The latch and deadbolt close automatically when the door is locked
- 20mm deadbolt projection
- Prepared for profile cylinder
- 92 mm distance
- Flip over latch with integrated triggering (delivered in DIN right)
- Egress direction can be changed
- 9mm square
- Flat or U-shaped front plate, stainless steel V2A, matt brushed
- Latch and deadbolt flush (flat front plate) or 1 mm proud (U-shaped front plate)



## Locking function E

Backset	Front plate	Part# single-sash	Part# single-sash with additional interlock	Part# double-sash	Part# double-sash with additional interlock
34	U-shaped front plate	14.250.3400.426	14.252.3400.426	14.254.3400.426	14.256.3400.426
35	Flat front plate	14.250.3500.426	14.252.3500.426	14.254.3500.426	14.256.3500.426
39	U-shaped front plate	14.250.3900.426	14.252.3900.426	14.254.3900.426	14.256.3900.426
40	Flat front plate	14.250.4000.426	14.252.4000.426	14.254.4000.426	14.256.4000.426
44	U-shaped front plate	14.250.4400.426	14.252.4400.426	14.254.4400.426	14.256.4400.426
45	Flat front plate	14.250.4500.426	14.252.4500.426	14.254.4500.426	14.256.4500.426

## Locking function B

Backset	Front plate	Part# single-sash	Part# single-sash with additional interlock	Part# double-sash	Part# double-sash with additional interlock
34	U-shaped front plate	14.260.3400.426	14.262.3400.426	14.264.3400.426	14.266.3400.426
35	Flat front plate	14.260.3500.426	14.262.3500.426	14.264.3500.426	14.266.3500.426
39	U-shaped front plate	14.260.3900.426	14.262.3900.426	14.264.3900.426	14.266.3900.426
40	Flat front plate	14.260.4000.426	14.262.4000.426	14.264.4000.426	14.266.4000.426
44	U-shaped front plate	14.260.4400.426	14.262.4400.426	14.264.4400.426	14.266.4400.426
45	Flat front plate	14.260.4500.426	14.262.4500.426	14.264.4500.426	14.266.4500.426

## Locking function EDS \*

Backset	Front plate	Part# single-sash	Part# single-sash with additional interlock	Part# double-sash	Part# double-sash with additional interlock
34	U-shaped front plate	14.270.3400.426	14.272.3400.426	14.274.3400.426	14.276.3400.426
35	Flat front plate	14.270.3500.426	14.272.3500.426	14.274.3500.426	14.276.3500.426
39	U-shaped front plate	14.270.3900.426	14.272.3900.426	14.274.3900.426	14.276.3900.426
40	Flat front plate	14.270.4000.426	14.272.4000.426	14.274.4000.426	14.276.4000.426
44	U-shaped front plate	14.270.4400.426	14.272.4400.426	14.274.4400.426	14.276.4400.426
45	Flat front plate	14.270.4500.426	14.272.4500.426	14.274.4500.426	14.276.4500.426

## Further options:

- 01) Prepared for CH-RZ
- 54) Latch 3mm proud (only 35 backset)
- 59) Protected latch retainer (only function E) – not for fire- and smoke-resistant doors
- 130) Protected deadbolt retainer(only function E)
- 131) Lock monitoring

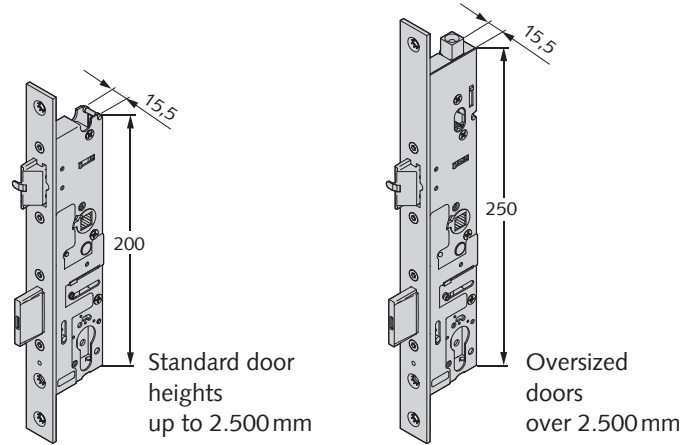
## Note:

\* Overview of additional electronic components for EDS locks ..... from Page 59

The EDS locks (single-sash) are also available without panic function in a special design for a sluice function (part# 14.190.- ---.--- and 14.192.----.---).

# Self-locking panic lock with electronic handle control (EDS)

The EDS locks from Series 200 combine complex mechatronics with electronic enquiry sensors and intelligent control software. They are used in doors that should grant specific access to selected persons by means of access control or a time-controlled access (e.g. doctor's surgeries, office buildings, staff or security areas ...).

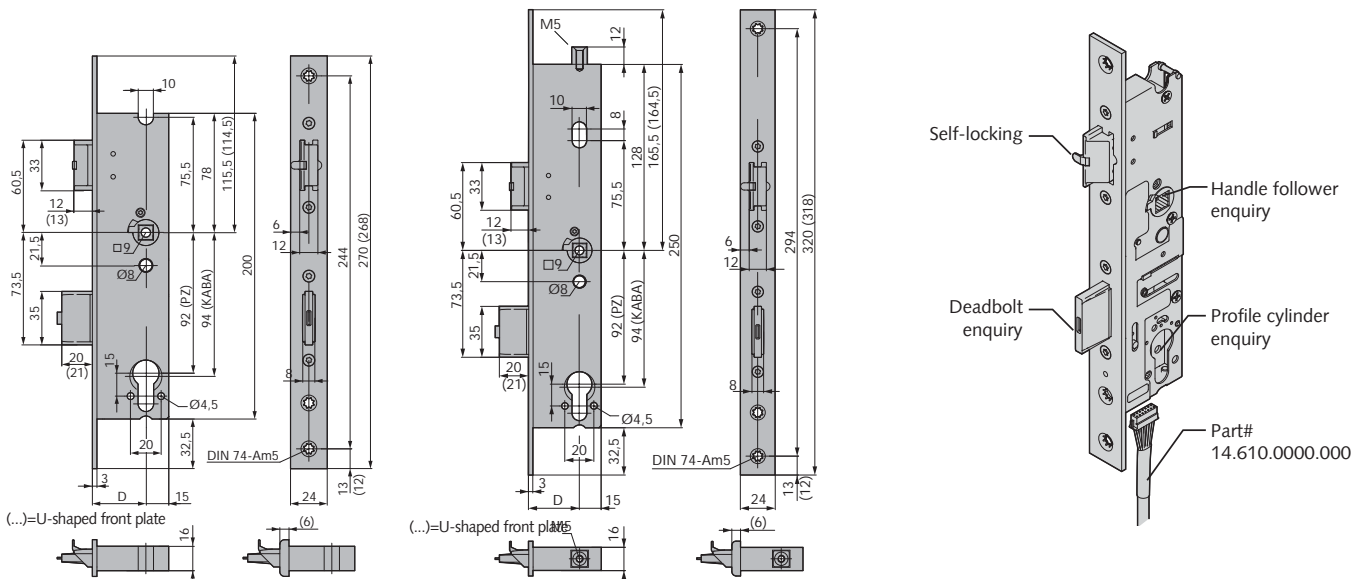


## Possible uses for access control and management

Keyless access control	Programmed access control	Activation	Recording
<p>Opened by means of a transponder (access control). Transponder as key fob or ISO card.</p>	<p>Maximum building security through biometric components (face recognition/finger scan)</p>	<p>Simple programming and central administration of the access authorisations on a PC.</p>	<p>Possibility of permanent opening for public traffic through "always open" function.</p>
		<p>Possibility of controlling external devices such as rolling gates and barriers in car parks with a single transponder.</p>	<p>Timekeeping through the use of RFID technologies.</p>



# Advantages of EDS



## Electronic handle control (EDS)

- All advantages of the Series 200
- Available as a single or double-sash solution with additional interlock at top
- The familiar Series 200 box size has been retained (200x15,5 w/o additional interlock/ 250x15,5 mm with additional interlock)
- Integrated enquiry for handle follower on inside and outside, deadbolt and locking nose of the profile cylinder
- Mechanical self-locking and optional enablement and

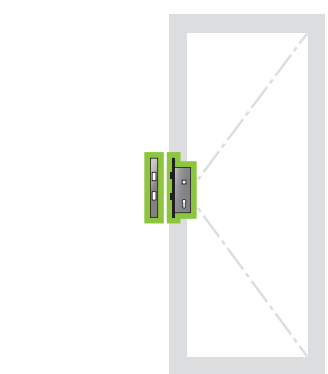
disabling in a power failure (in connection with a UPS)

- Can be combined with Series 200 accessories
- Option for open and closed-circuit principle
- Coupling time ~ 0,3 seconds
- Power requirement < 1 W / max. voltage 300 mA
- The door can be operated with a key or handle in the event of a power failure



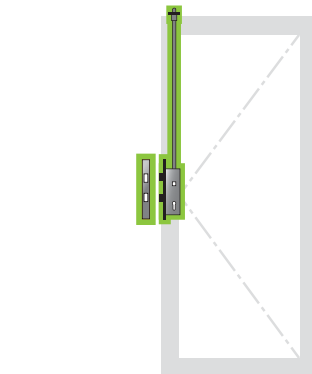
# Set versions for EDS

## Self-locking panic set 21



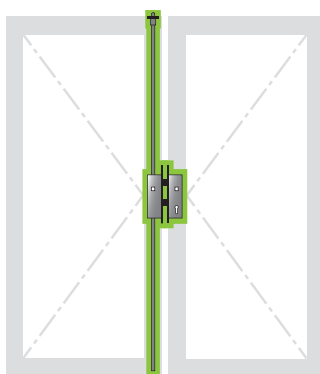
- Single leaf
- Max. 1.600 x 2.500 mm
- Max. 400 kg

## Self-locking panic set 22



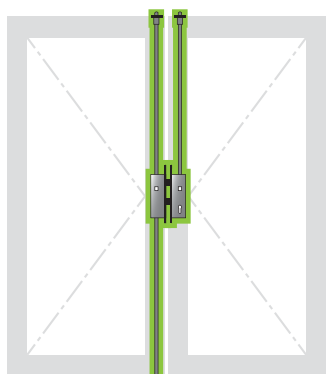
- Single-leaf with additional interlock for active leaf
- Max. 1.600 x 3.500 mm
- Max. 400 kg

## Self-locking panic set 23



- Double-leaf with additional interlock for fixed leaf
- Max. 1.600 x 2.500 mm
- Max. 400 kg (each leaf)

## Self-locking panic set 24



- Double-leaf with additional interlock for active and fixed leaf
- Max. 1.600 x 3.500 mm
- Max. 400 kg (each leaf)

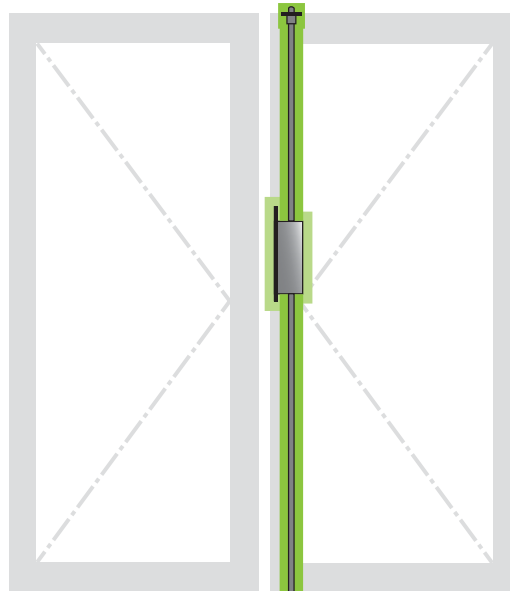
### Note:

Please read our information brochure on "Mechatronic applications - EDS locks", in which specific application cases and the available system solutions are described in more detail.

Pay attention to the specifications of the system supplier (see page 9).

**Inactive sash set 1 with VARIO LINE flush bolt**

- Manual locking
- For the inactive sashes in double-sash doors up to 3,000mm in height
- Can be used on the left and right



**Inactive sash**

- VARIO LINE flush bolt with stainless steel front plate
- Striker plate, top
- Rod guide, top
- Floor bush

**VARIO LINE flush bolt**

Part#	Backset	Front plate
14.020.3500.426	35	Flat front plate
14.020.4000.426	40	Flat front plate
14.020.4500.426	44	U-shaped front plate
14.020.5000.426	55	Flat front plate
14.020.5500.426	60	Flat front plate

**Note:**

Can also be used with the panic sets 11 and 12 as well as the self-locking panic sets 21 and 22.

The reinforcing rod, part# 07.210.----.---, should be ordered separately depending on the door height.

The bottom rod guide has to be ordered separately.

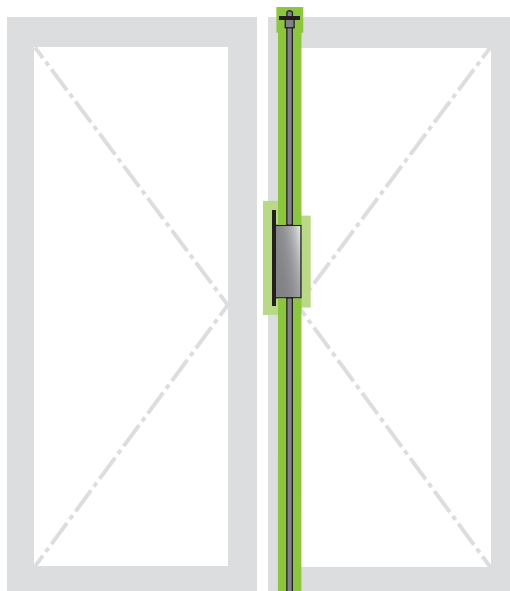
We recommend the use of system-related rod guides for the bottom rod guides, depending on whether the sash has been butted or mitred.

**Accessories:**

Reinforcing rod for the flush bolt set .....Page 57  
 Bottom rod guide .....Page 54

## Inactive sash set 2 with rebate locking bolt

- Automatic locking
- For the inactive sashes in double-sash doors
- Can be used on the left and right



### Inactive sash

- rebate locking bolt with stainless steel front plate
- Locking cavity
- Top lock
- Sliding plug for top lock
- Floor bush

### Rebate locking bolt

Part#	Backset	Front plate
14.108.3500.426	35	Flat front plate
14.108.4000.426	40	Flat front plate
14.108.4500.426	45	Flat front plate

### Note:

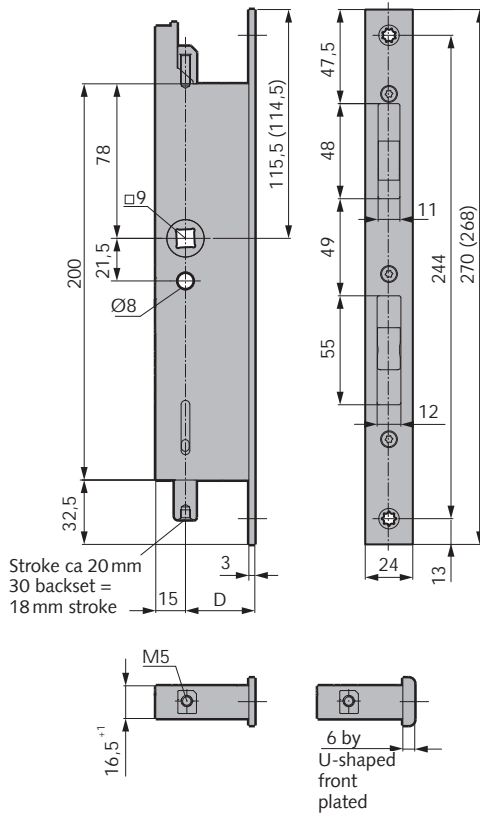
Can also be used with the panic sets 11 and 12 as well as the self-locking panic sets 21 and 22.

The top reinforcing rod part# 01.826.----.--- and bottom reinforcing rod part# 01.827.----.--- should each be ordered separately depending on the door height.

We recommend the use of system-related rod guides for the bottom rod guides, depending on whether the sash has been butted or mitred.

### Accessories:

Reinforcing rod for the rebate locking bolt set.....Page 57  
 Bottom rod guide .....Page 54



Panic striker box



- Self-locking for use with the top lock 14.288.-----
- Angle of rotation 45°
- 9 mm square
- M5 connecting thread
- Can be used on the left and right

Part#	Backset	Front plate	Material/finish
14.280.3000.426	30	U-shaped front plate	304 matt brushed
14.280.3400.426	34	U-shaped front plate	304 matt brushed
14.280.3500.426	35	Flat front plate	304 matt brushed
14.280.3900.426	39	U-shaped front plate	304 matt brushed
14.280.4000.426	40	Flat front plate	304 matt brushed
14.280.4400.426	44	U-shaped front plate	304 matt brushed
14.280.4500.426	45	Flat front plate	304 matt brushed
14.280.5500.426	55	Flat front plate	304 matt brushed
14.280.6500.426	65	Flat front plate	304 matt brushed
14.280.8000.426	80	Flat front plate	304 matt brushed

Further options:

- 132) Striker box control (from 35 Backset)
- 136) Rod retainer striker box in retracted state – not for smoke- and fire-resistant doors

Accessories:

- Rod guide, spring-mounted or rod guide with sinkhole .....Page 54
- Striker plate for doors with threshold .....Page 49
- Striker plate for additional interlocke.....Page 52
- Top lock.....Page 56
- Connecting rod for additional interlocke.....Page 53
- Locking rod, bottom.....Page 53

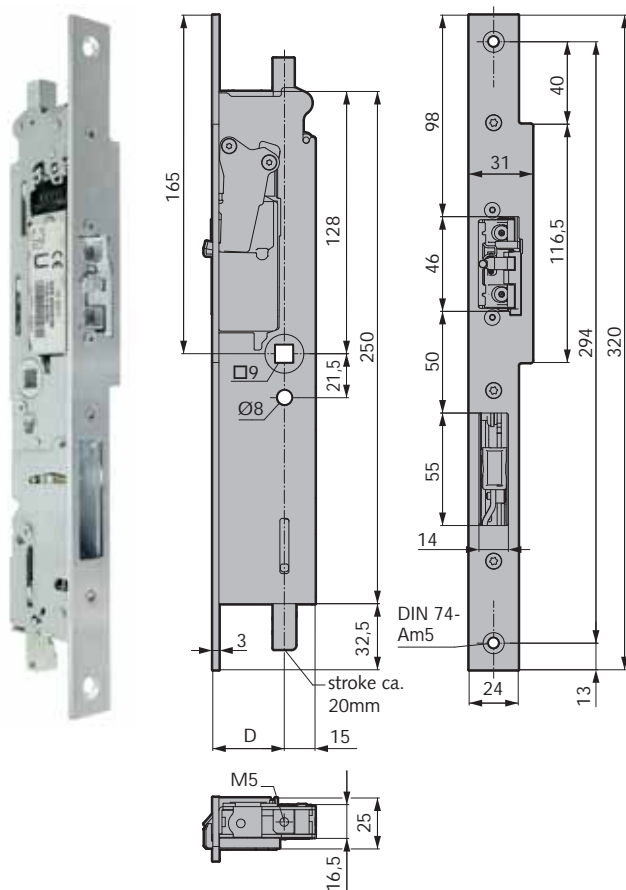


Illustration active sash DIN left

### Panic striker box with e-opener



- Self-locking for use with the top lock  
14.288 ----- or spring-mounted latch  
14.294.-----
- Angle of rotation 45°
- 9 mm square
- M5 connecting thread

#### Technical data for e-opener:

- 12 and 24 volt AC/DC
- Electrical unlocking (eE 100% ED)

### Active sash DIN right

Part#	Backset	Front plate	Material/finish
14.284.3500.426	35	Flat front plate	304 matt brushed
14.284.4000.426	40	Flat front plate	304 matt brushed
14.284.4500.426	45	Flat front plate	304 matt brushed
14.284.5500.426	55	Flat front plate	304 matt brushed
14.284.6500.426	65	Flat front plate	304 matt brushed
14.284.8000.426	80	Flat front plate	304 matt brushed

### Active sash DIN left

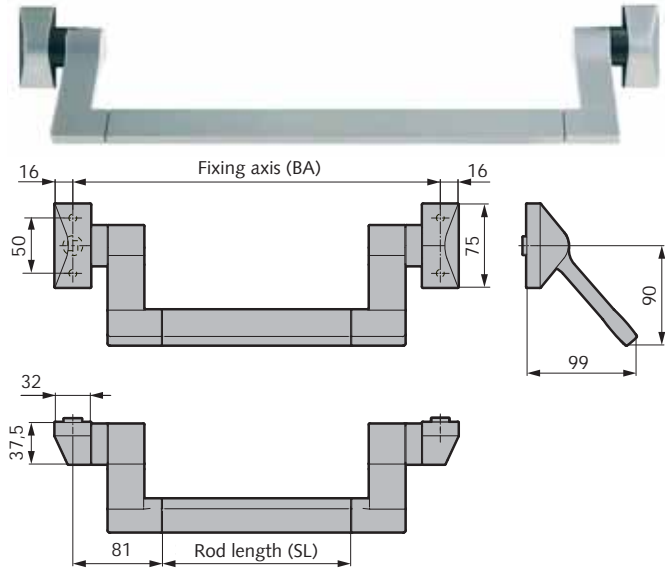
Part#	Backset	Front plate	Material/finish
14.285.3500.426	35	Flat front plate	304 matt brushed
14.285.4000.426	40	Flat front plate	304 matt brushed
14.285.4500.426	45	Flat front plate	304 matt brushed
14.285.5500.426	55	Flat front plate	304 matt brushed
14.285.6500.426	65	Flat front plate	304 matt brushed
14.285.8000.426	80	Flat front plate	304 matt brushed

#### Further options:

- 32) With feedback signal (RR)
- 132) Striker box control (from 35 Backset)
- 136) Rod retainer striker box in retracted state – not for smoke- and fire-resistant doors

#### Accessories:

- Rod guide, spring-mounted or
- rod guide with sinkhole .....Page 54
- Striker plate for doors with threshold .....Page 49
- Striker plate for additional interlock .....Page 52
- Top lock.....Page 56
- Connecting rod for additional interlock.....Page 53
- Locking rod, bottom.....Page 53



**Design-Line panic push bar**



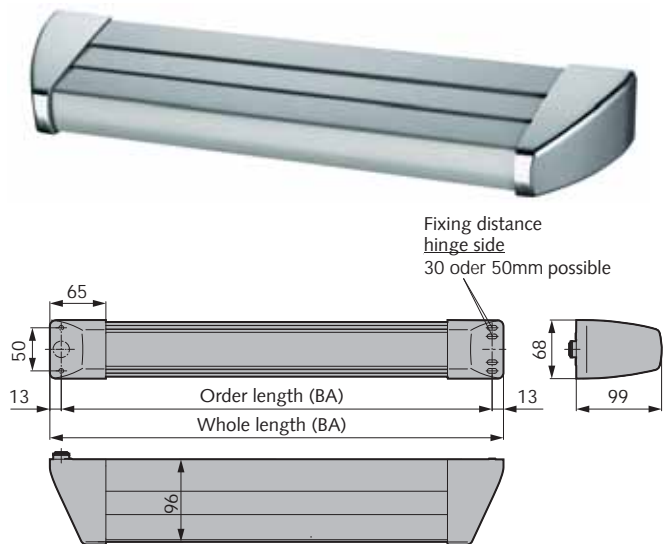
- 9 mm square
- Angle of rotation 22°-45°
- Can be used on the left and right
- Rod length cuttable
- With black KS spacer rings

**Angle of rotation 27° pre-assembled for active sash**

Part#	Rod length	Material/finish
14.400.0000.112	1.200	Al E4/C-0 silver anod.
14.400.0000.137	1.200	Alu E4/C-31 anodisé inox

**Angle of rotation 45° pre-assembled for inactive sash**

Part#	Rod length	Material/finish
14.440.0000.112	1.200	Al E4/C-0 silver anod.
14.440.0000.137	1.200	Alu E4/C-31 anodisé inox



**PD 99 panic push bar**



- 9 mm square
- Angle of rotation 27°-48°
- Can be used on the left and right
- Cuttable
- Cushioned unlocking

**Angle of rotation 27° pre-assembled for active sash**

Part#	FA	Material/finish
14.484.0000.112	501-650	Al E4/C-0 silver anod.
14.484.0000.137	501-650	Alu E4/C-31 anodisé inox
14.484.1000.112	651-800	Al E4/C-0 silver anod.
14.484.1000.137	651-800	Alu E4/C-31 anodisé inox
14.484.2000.112	801-950	Al E4/C-0 silver anod.
14.484.2000.137	801-950	Alu E4/C-31 anodisé inox
14.484.3000.112	951-1.100	Al E4/C-0 silver anod.
14.484.3000.137	951-1.100	Alu E4/C-31 anodisé inox
14.484.4000.112	1.101-1.250	Al E4/C-0 silver anod.
14.484.4000.137	1.101-1.250	Alu E4/C-31 anodisé inox
14.484.5000.112	Special length*	Al E4/C-0 silver anod.
14.484.5000.137	Special length*	Alu E4/C-31 anodisé inox

**Angle of rotation 45° pre-assembled for inactive sash**

Part#	FA	Material/finish
14.492.0000.112	501-650	Al E4/C-0 silver anod.
14.492.0000.137	501-650	Alu E4/C-31 anodisé inox
14.492.1000.112	651-800	Al E4/C-0 silver anod.
14.492.1000.137	651-800	Alu E4/C-31 anodisé inox
14.492.2000.112	801-950	Al E4/C-0 silver anod.
14.492.2000.137	801-950	Alu E4/C-31 anodisé inox
14.492.3000.112	951-1.100	Al E4/C-0 silver anod.
14.492.3000.137	951-1.100	Alu E4/C-31 anodisé inox
14.492.4000.112	1.101-1.250	Al E4/C-0 silver anod.
14.492.4000.137	1.101-1.250	Alu E4/C-31 anodisé inox
14.492.5000.112	Special length*	Al E4/C-0 silver anod.
14.492.5000.137	Special length*	Alu E4/C-31 anodisé inox

**Note:**  
Special lengths possible up to max. 1.530mm.

## Certified hardwares

The following handles are allowed as handles according to EN 179 as well as exterior hardwares when using pressure or push bars according to EN 1125:

Manufacturer	Name
BKS	DO 20.10
ECO Schulte	DO 20.1
FSB	DO 20.3
HEWI	DO 20.13 / VE 30-26
Grundmann	DO 20.26
Dorma	DO 20.4
Hoppe	DO 20.X
Hafi	DO 20.32
Normbau	DO 20.18
Vieler	DO 20.12
SALTO Systems S.L.	DO 20.52
MEGA Gossau AG	Part# 33.604 / 33.603
Häfele	DO 20.12
Glutz	ift Nr. 235-601439-1-1
SimonsVoss AG	DO 20.55
Kaba GmbH	DO 20.31

Ask about the latest list



### Square spindles

- 8 mm square

Part#	Length	Material/finish
02.820.1060.010	60	St galvanized
02.820.1120.010	120	St galvanized

Note:

Further options on request.



### Square spindles

- 9 mm square

Part#	Length	Material/finish
02.822.2060.010	60	St galvanized
02.822.2120.010	120	St galvanized

Note:

Further options on request.



### Panic square pin, split in the middle

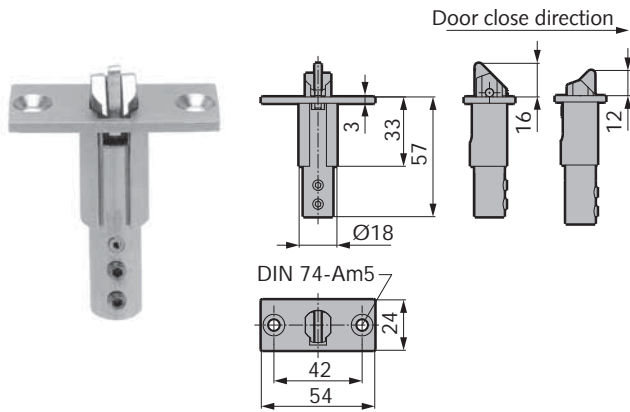
- 9 mm square



Part#	Li	La	Door thickness	Material/finish
02.852.2105.010	52	53,5	45-58	St galvanized
02.852.2120.010	59	60,5	59-72	St galvanized
02.852.2135.010	66	60,5	73-86	St galvanized

Note:

Further options on request.



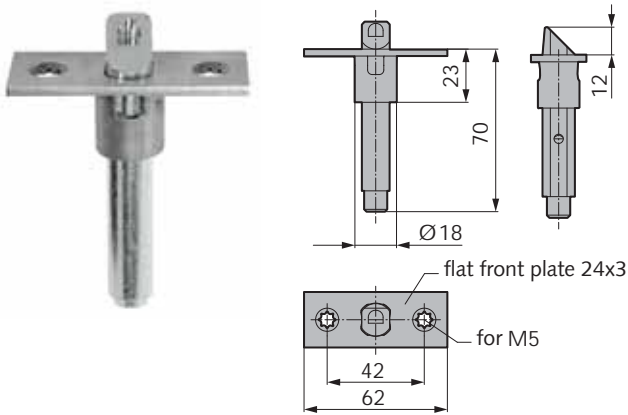
**Latch 12/16 mm for additional interlock with latch guide**

- 12 mm stroke, 16mm projection incl. guide
- As upper additional interlock in place of 01.831.0000.010
- Clamped in place

Part#	Backset	Material/finish
14.290.0000.426	from 30	304 matt brushed

**Note:**

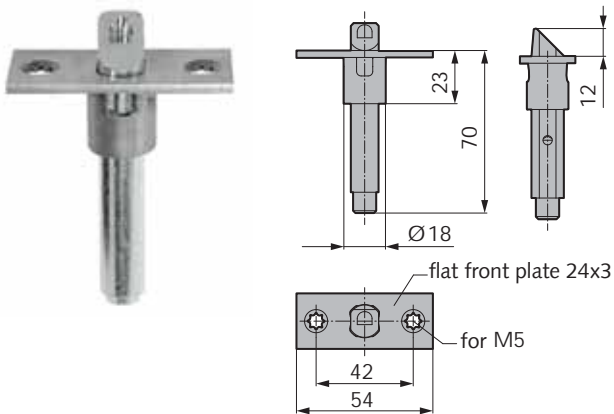
For use with Striker plate part# 14.610.2400.426 (page 50).  
For use with single-sash doors only!



**Latch 12 mm for additional interlock with latch guide**

- Hardened
- For knocking on

Part#	Backset	Material/finish
14.321.1000.405	from 35	304 mill finish

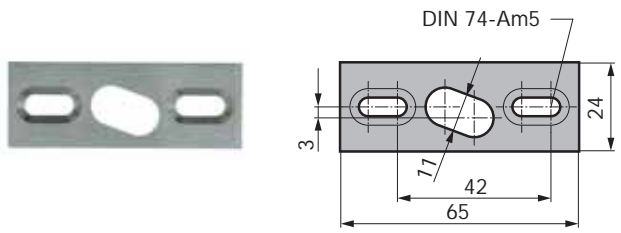


**Latch 12 mm for additional interlock with latch guide**

- Hardened
- For knocking on

Part#	Backset	Material/finish
14.322.1000.405	30/34	304 mill finish

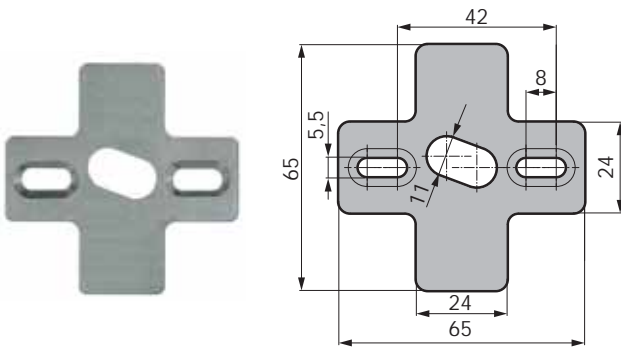




### Striker plate for doors with threshold

- +/- 3mm adjustable

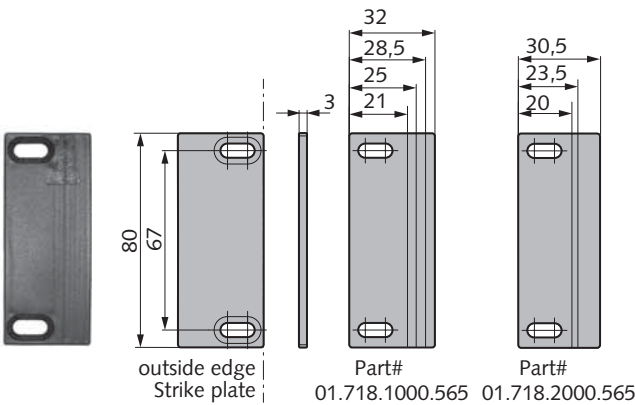
Part#	Size	Material/finish
14.300.2400.428	65 x 24 x 3	316 matt brushed



### Striker plate for doors without threshold

- +/- 3mm adjustable

Part#	Size	Material/finish
14.300.6500.428	65 x 65 x 3	316 matt brushed



### Latch run-out plate

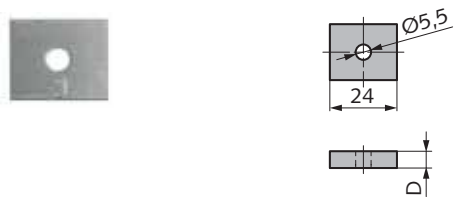
- For open or closed striker plates
- For e-opener model ProFix2
- Can be used on the left and right

Part#	Size	Material/finish
01.718.1000.565	32 x 80 x 3	Plastic black
01.718.2000.565	30,5 x 80 x 3	Plastic black

**Note:**

The width of the latch run-out plates can be varied thanks to predetermined breaking points on their rear. Breaking off the latch run-out plates allows different widths for use in various profile systems.

The version with a slot allows variable fastening to avoid any longitudinal ribs in the profile.



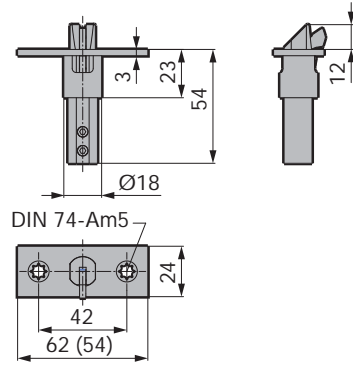
### Bushing

- For shimming Striker plates or front plates
- Can be used on the left and right

Part#	Size	D	Material/finish
01.719.1500.405	24 x 24	1,5	304 mill finish
01.719.3000.105	24 x 20	3,0	Al mill finish
01.719.4000.105	24 x 20	4,0	Al mill finish
01.719.6000.105	24 x 20	6,0	Al mill finish

**Note:**

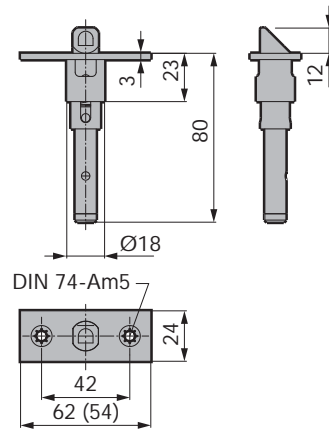
Packed in boxes of 10.



### Top lock with guide

- To lock the inactive sash, top
- Clamped in place
- Can be used on the left and right

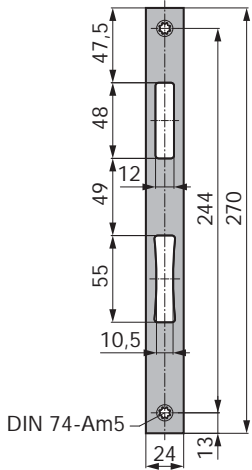
Part#	Size	Length	Material/finish
14.288.0000.405	30/34	54	304 mill finish
14.288.1000.405	from 35	62	304 mill finish



### Spring-mounted latch with guide

- To lock the inactive sash at the top, for doors with drives
- For knocking on
- Hole spacing 42 mm (35 mm)
- Can be used on the left and right

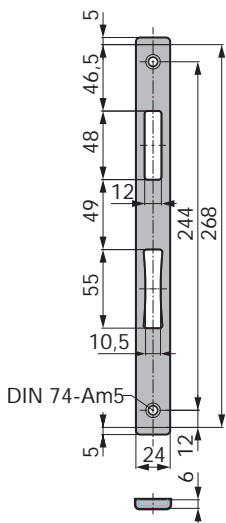
Part#	Size	Length	Material/finish
14.294.2454.405	30/34	54	304 mill finish
14.294.2462.405	from 35	62	304 mill finish



Closed striker plate, flat shape

- Can be used on the left and right

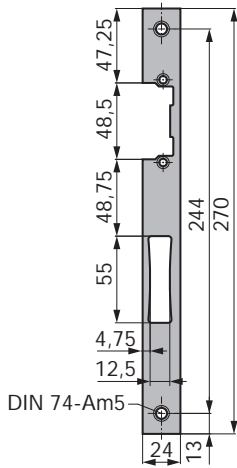
Table with 3 columns: Part#, Size, Material/finish. Row 1: 14.340.2400.426, 270 x 24 x 3, 304 matt brushed



Closed striker plate, U-shaped

- Can be used on the left and right

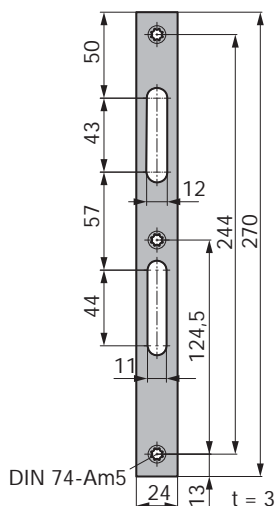
Table with 3 columns: Part#, Size, Material/finish. Row 1: 14.342.2400.426, 268 x 24 x 6, 304 matt brushed



Open striker plate, flat shape for e-opener

- Prepared for e-opener/insert
- Can be used on the left and right

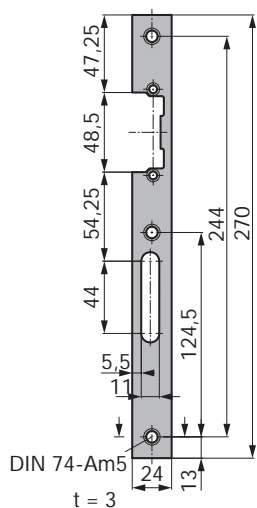
Table with 3 columns: Part#, Size, Material/finish. Row 1: 01.711.2400.426, 270 x 24 x 3, 304 matt brushed



### Striker plate with 3 screw holes, closed

- For single-sash normal doors with higher RC requirements

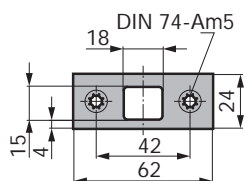
Part#	Material/finish
14.341.2400.426	304 matt brushed



### Striker plate with 3 screw holes, open

- For single-sash normal doors
- Can be used on the left and right

Part#	Material/finish
14.341.2401.426	304 matt brushed



### Striker plate for additional interlock and top lock

- For top lock with guide and latch for additional interlock

Part#	Material/finish
14.302.2400.426	304 matt brushed

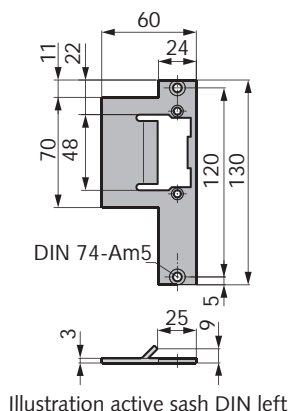


Illustration active sash DIN left

### Striker plate for top e-opener

- Cuttable
- For top additional interlock

Part#	Size	Direction	Material/finish
14.306.6000.426	130 x 24 x 3	DIN rechts	304 matt brushed
14.307.6000.426	130 x 24 x 3	DIN links	304 matt brushed

**Note:**  
The DIN direction relates to the active sash.

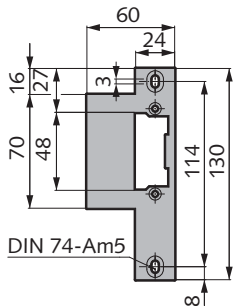


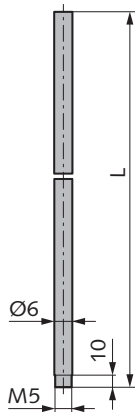
Illustration active sash DIN left

**Striker plate for Profix 2 e-opener**

- Cuttable
- For top additional interlock

Part#	Size	Direction	Material/finish
14.308.0000.426	130 x 60 x 3	DIN rechts	304 matt brushed
14.308.1000.426	130 x 60 x 3	DIN links	304 matt brushed

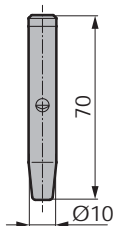
**Note:**  
The DIN direction relates to the active sash.



**Connecting rod for additional interlock**

- Cuttable

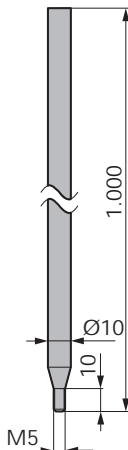
Part#	Length	Material/finish
01.825.1500.010	M5 x 1.550	St galvanized
14.323.2000.010	M5 x 2.000	St galvanized
14.323.2500.010	M5 x 2.500	St galvanized



**Locking bolt, bottom**

- For knocking on

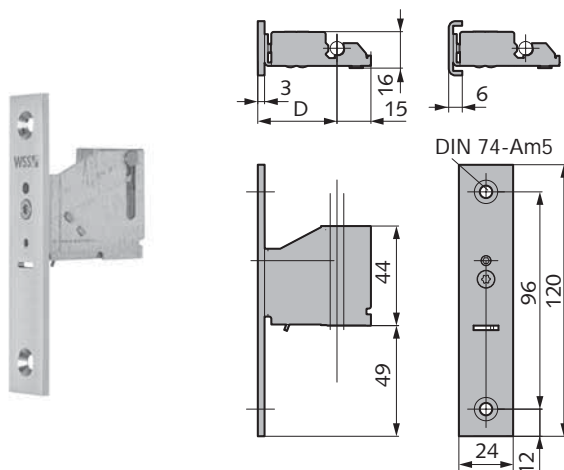
Part#	Material/finish
14.324.0000.010	St galvanized



**Locking rod, bottom**

- 10mm round rod

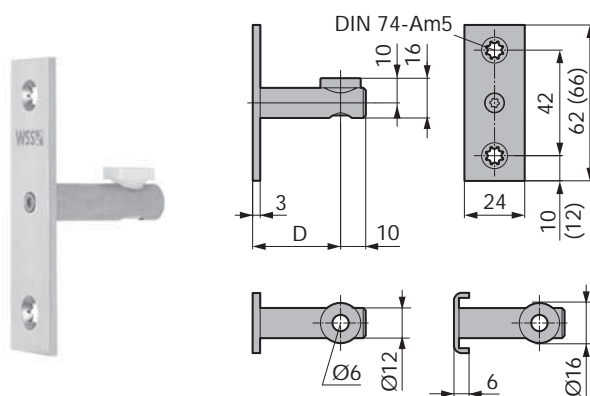
Part#	Length	Material/finish
14.324.1000.010	M5 x 1.000	St galvanized



### Rod guide Series 200, spring-mounted

- Spring force with 3 settings
- For use on sashes over 2.500mm in height
- For 6mm round rod

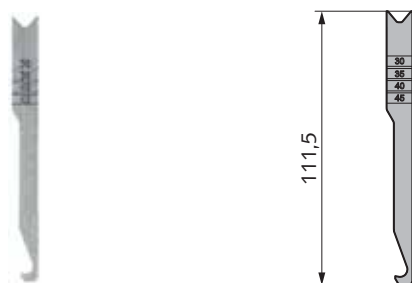
Part#	Backset	Front plate	Material/finish
14.292.2900.426	29	U-shaped front plate	304 matt brushed
14.292.3000.426	30	Flat front plate	304 matt brushed
14.292.3400.426	34	U-shaped front plate	304 matt brushed
14.292.3500.426	35	Flat front plate	304 matt brushed
14.292.3900.426	39	U-shaped front plate	304 matt brushed
14.292.4000.426	40	Flat front plate	304 matt brushed
14.292.4400.426	44	U-shaped front plate	304 matt brushed
14.292.4500.426	45	Flat front plate	304 matt brushed
14.292.5500.426	55	Flat front plate	304 matt brushed
14.292.6500.426	65	Flat front plate	304 matt brushed
14.292.8000.426	80	Flat front plate	304 matt brushed



### Rod guide with sinkhole

- For 6mm round rod

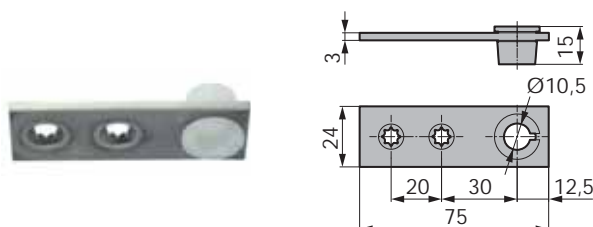
Part#	Backset	Front plate	Material/finish
14.370.2900.426	29	U-shaped front plate	304 matt brushed
14.370.3000.426	30	Flat front plate	304 matt brushed
14.370.3400.426	34	U-shaped front plate	304 matt brushed
14.370.3500.426	35	Flat front plate	304 matt brushed
14.370.3900.426	39	U-shaped front plate	304 matt brushed
14.370.4000.426	40	Flat front plate	304 matt brushed
14.370.4400.426	44	U-shaped front plate	304 matt brushed
14.370.4500.426	45	Flat front plate	304 matt brushed
14.370.5500.426	55	Flat front plate	304 matt brushed
14.370.6500.426	65	Flat front plate	304 matt brushed
14.370.8000.426	80	Flat front plate	304 matt brushed



### Installation and adjustment hooks

- For spring-mounted rod guide

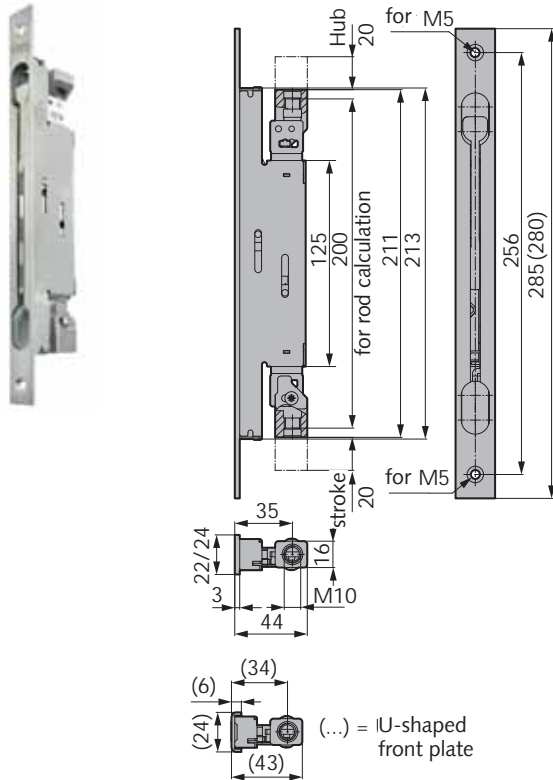
Part#	Backset	Material/finish
14.293.3045.011	30-45	St mechanical zinc plated
14.293.6580.011	55-80	St mechanical zinc plated



### Rod guide, bottom, with plastic bush

- For 10mm round rod

Part#	Material/finish
14.326.0000.405	304 mill finish



### VARIO LINE flush bolt

- Variable backset
- Affects the top and bottom
- With folding lever
- Rod projection M10
- Stroke 20 mm

#### Rectangular flat front plate

Part#	Backset	Front plate	Material/finish
07.330.1000.426	26, 30, 35*, 39	22 x 3	304 matt brushed
07.330.2000.426	44*, 48	22 x 3	304 matt brushed
07.330.3000.426	54*, 58	22 x 3	304 matt brushed
07.330.4000.426	60*, 64	22 x 3	304 matt brushed
07.330.5000.426	72*, 76	22 x 3	304 matt brushed
07.330.1001.426	26, 30, 35*, 39	24 x 3	304 matt brushed
07.330.2001.426	44*, 48	24 x 3	304 matt brushed
07.330.3001.426	54*, 58	24 x 3	304 matt brushed
07.330.4001.426	60*, 64	24 x 3	304 matt brushed
07.330.5001.426	72*, 76	24 x 3	304 matt brushed

#### Rectangular u-shaped front plate

Part#	Backset	Front plate	Material/finish
07.332.1000.426	25, 29, 34*, 38	24 x 6	304 matt brushed
07.332.2000.426	43*, 47	24 x 6	304 matt brushed
07.332.3000.426	53*, 57	24 x 6	304 matt brushed
07.332.4000.426	59*, 63	24 x 6	304 matt brushed
07.332.5000.426	71*, 75	24 x 6	304 matt brushed

**Note:**

\*Preassembled backrest

### Rebate locking bolt, front plate according to DIN 18250

- For inactive sash
- Connections with M8 female thread
- Self-locking, for use with top lock part# 01.326.----- and part# 01.141.-----

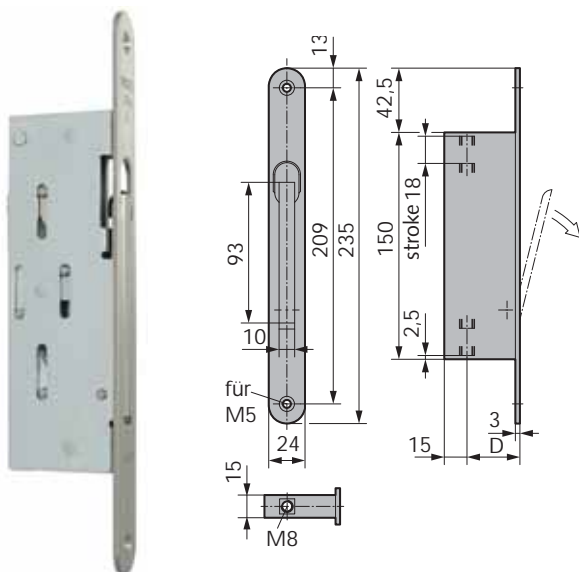
Part#	Backset	Material/finish
01.325.2500.426	25	304 matt brushed
01.325.3000.426	30	304 matt brushed
01.325.3500.426	35	304 matt brushed
01.325.4000.426	40	304 matt brushed

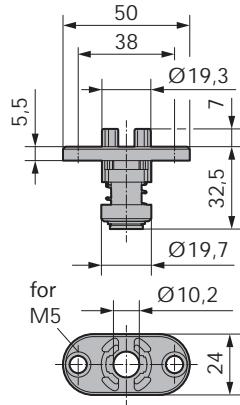
**Further options:**

29) With rectangular front plate

**Accessories:**

Reinforcing rod part# 01.826.----- Page 57

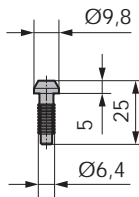




### Top lock for rebate locking bolt

- To lock the inactive sash, top
- Can be used on the left and right

Part#	Backset	Material/finish
01.141.0000.010	variable	St galvanized



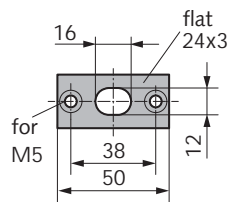
### Sliding plugs for top lock

- 8 mm head diameter

Part#	Material/finish
01.142.0000.550	Plastic white

**Note:**

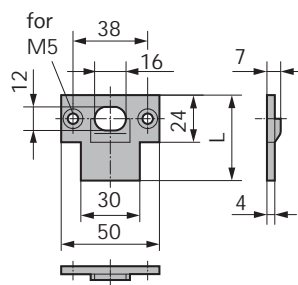
For use in the reinforcing rod part# 01.826.-----  
 Required for top lock part# 01.326.-----



### Striker plate for top lock, rebate locking bolt

- Flat material

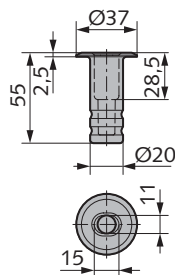
Part#	Size	Material/finish
01.726.2400.010	24 x 3	St galvanized
01.726.2400.426	24 x 3	304 matt brushed



### Lug Striker plate for top lock, rebate locking bolt

- Flat material
- Chamber size 14-16 mm

Part#	Lug length	Material/finish
01.727.4300.426	43,5	304 matt brushed
01.727.4800.426	48,5	304 matt brushed
01.727.5400.426	54,5	304 matt brushed

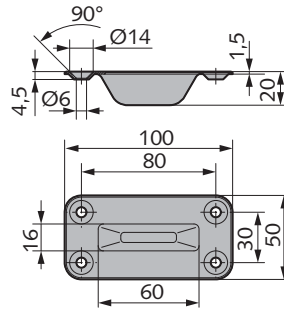


### Floor bush for additional interlock, bottom

- For inactive sash set 1 and 2
- For 10mm round rod

Part#	Material/finish
07.230.0000.310	Brass galvanized

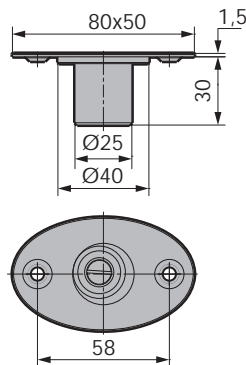




### Floor locking striker for additional interlock, bottom

- For inactive sash set 1 and 2
- For 10 mm round rod

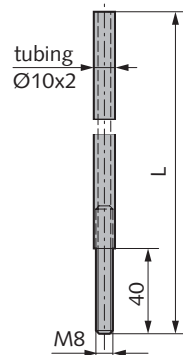
Part#	Material/finish
07.234.0000.426	304 matt brushed



### Floor locking striker for additional interlock, bottom, adjustable

- For inactive sash set 1 and 2
- For 10 mm round rod
- Adjustable, +/-2 mm infinitely in an X- and Y-direction
- Stainless steel cover plate, matt brushed

Part#	Material/finish
07.234.1000.426	304 matt brushed



### Reinforcing rod for rebate locking bolt set

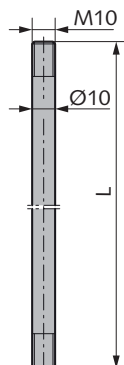
- 10 mm round rod
- M8 thread

#### For top, tubular material

Part#	Length	Material/finish
01.826.1000.010	M8 x 1.000	St galvanized
01.826.1500.010	M8 x 1.500	St galvanized
01.826.2000.010	M8 x 2.000	St galvanized

#### For bottom, solid material

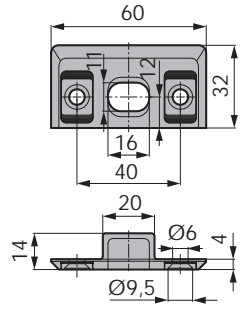
Part#	Length	Material/finish
01.827.1000.010	M8 x 1.000	St galvanized
01.827.1500.010	M8 x 1.500	St galvanized
01.827.2000.010	M8 x 2.000	St galvanized



### Reinforcing rod for flush bolt set

- 10 mm round rod
- M10 thread on both sides
- For Inactive sash set 1
- For flush bolt

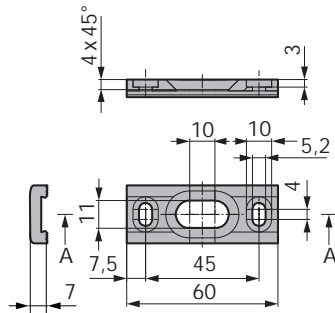
Part#	Length	Material/finish
07.210.2000.010	M10 x 2.000	St galvanized
07.210.2500.010	M10 x 2.500	St galvanized



Adjusting range +/- 3mm

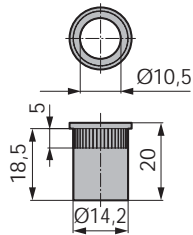
**Locking cavity with stop plates**

Part#	Material/finish
01.830.1000.426	304 matt brushed



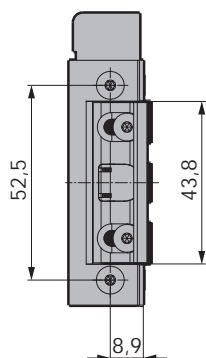
**Locking plate for 10 mm round rod**

Part#	Material/finish
07.240.0000.112	Al E4/C-0 silver anod.



**Brass guide bush for 10 mm round rod**

Part#	Material/finish
10.761.0000.375	Brass nickel plated



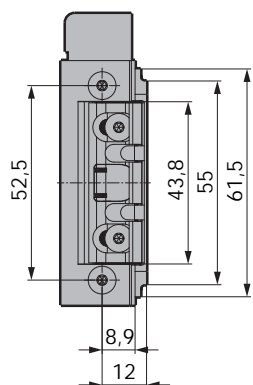
### Electric door opener 143 with radius latch

- For fire protection doors
- Working current (12-24V) without mechanical unlocking
- With catch diode
- Adjustable latch (FaFix), 3 mm (in 1 mm steps)
- Not for self-locking locks

Part#	Direction
50010665	DIN rechts
50012111	DIN links

#### Note:

Further options on request.



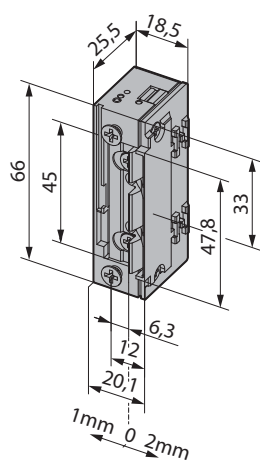
### Electric door opener 143 ProFix 2 with radius latch

- For fire protection doors
- Working current (12-24V) without mechanical unlocking
- With catch diode
- Adjustable latch (FaFix), 3 mm (in 1 mm steps)

Part#	Direction
50022267	DIN rechts
50022268	DIN links

#### Note:

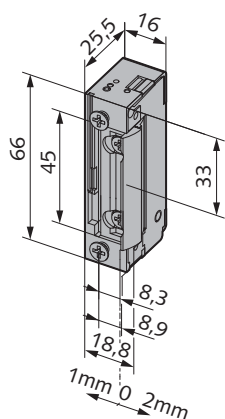
Further options on request.



### Electric door opener 118.13 ProFix 2 with radius latch

- Working current (12-24V) without mechanical unlocking
- Can be used on right, left and horizontally
- Adjustable latch (FaFix), 3 mm (in 1 mm steps)
- With electrical unlocking (eE/100%ED up to 13 V)
- With fitted ProFix 2 latch guide

Part#	Function
01.859.1000.000	–
50014907	with feedback
01.859.1033.000	with diode



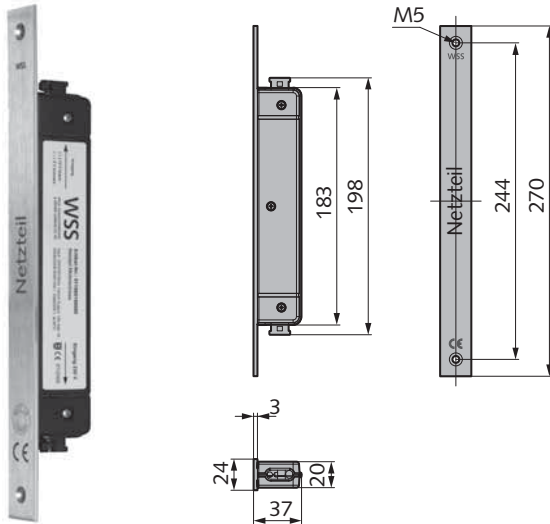
### Electric door opener 118 with radius latch

- Working current (12-24V) without mechanical unlocking
- Can be used on right, left and horizontally
- Adjustable latch (FaFix), 3 mm (in 1 mm steps)
- With electrical unlocking (eE/100%ED up to 13 V)
- Not for self-locking locks

Part#	Function
01.859.7000.000	–
50012477	with feedback
50012400	with diode

#### Note:

For horizontal installation for locks with a top additional interlock and latch for the additional interlock in the inactive sash.

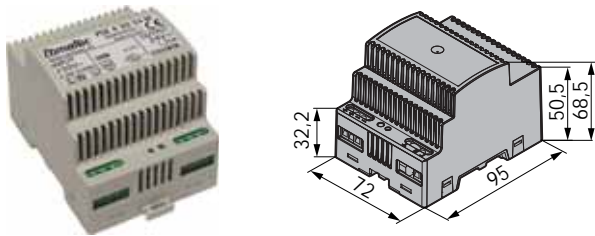


### Power supply unit

- For installation in the frame (door rebate) or near the door frame
- To supply power to the electrical components
- Input voltage 230 V AC / 50 Hz
- Output voltage 12 V DC
- Max. output current 1 A
- Type of protection IP 20
- 5 m cable



Part#	Front plate
01.198.0100.000	Flat front plate

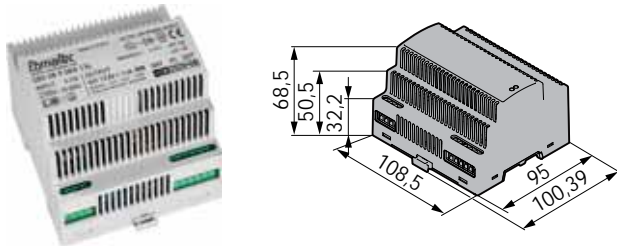


### Top-hat rail power supply unit

- 4 RU
- 24 V



Part#	Amperes	Watt	Modules
01.198.0500.000	1,25	30	3
01.198.0600.000	2	40	4



### Top-hat rail power supply unit with UPS

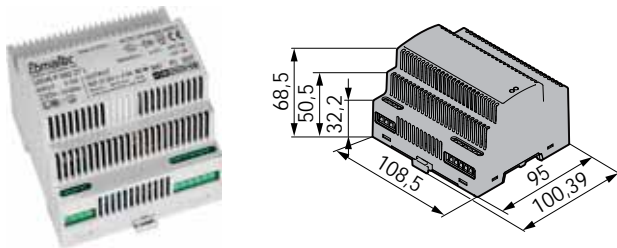
- 6 RU
- 12 V



Part#	Amperes	Watt
01.198.0700.000	5	69
01.198.0800.000	3	69

**Note:**

Extra batteries (part# 18.315.0002.599) are needed.

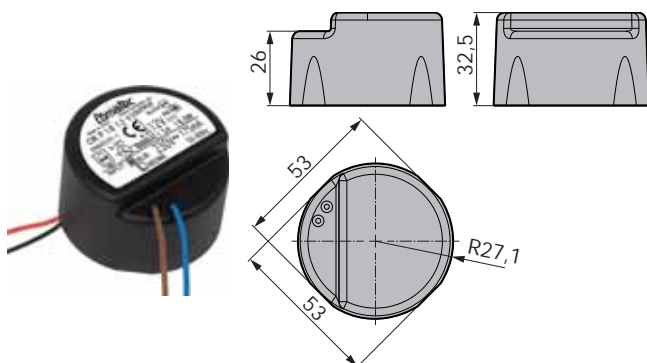


### Top-hat rail power supply unit with UPS

- 6 RU
- 12 V
- Incl. power supply unit/batteries



Part#	Amperes	Watt
01.198.0900.000	3	82
01.198.1000.000	5	82



### Concealed power supply unit

- In the RU housing
- 12 V



Part#	Amperes	Watt
01.198.1100.000	0,5	6



### Lock connecting cable

- 14-pin control line, one end with plug
- 10m long
- 6mm diameter

Part#

14.610.0000.000

**Note:**

For use with locks that have lock monitoring (model 131) / EDS.



### Lock connecting cable

- 3-pin control line, one end with plug
- 10m long
- 3,4 mm diameter

Part#

14.617.0000.000

**Note:**

For use with locks that have a microswitch to monitor the dead-bolt (model 16).



### Striker box connecting cable

- 5-pin control line, one end with plug
- 10m long
- 3 mm diameter

Part#

14.615.0000.000

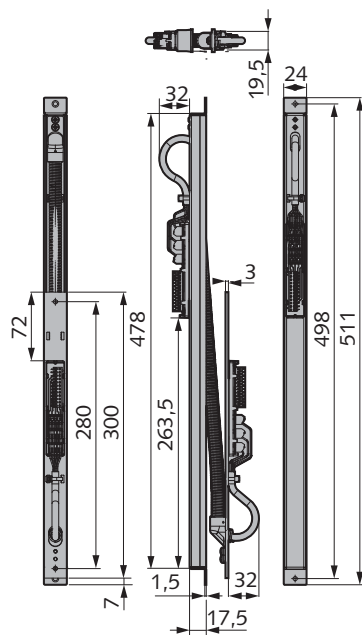


### Striker box connecting cable with e-opener

- 6-pin control line, one end with plug
- 10m long
- 4,1 mm diameter

Part#

14.616.0000.000



### Cable crossover, detachable

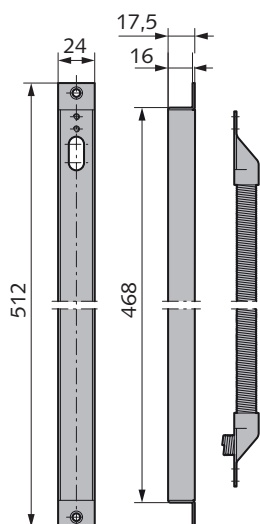
- 12-pin detachable screw-plug connector with holding plate and two PCBs
- Line: 12 x 0,25 mm<sup>2</sup>
- Electrical values: 1,5 A / 48 V DC
- Opening angle 180°
- Stainless steel installation box

Part#

14.600.0000.000

Note:

For use with panic locks that have monitoring and for EDS locks.



### Cable crossover 480

- Up to 180° opening width with max. 36 mm pivot
- Concealed with installation box
- Inner diameter 10 mm / to max. 9 mm
- Cable diameter
- Spiral 370 mm long
- Not detachable (door cannot be taken off its hinges)

Part#

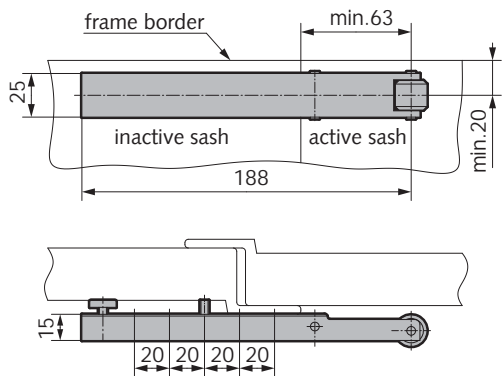
05.802.0000.026

Material/finish

St polished chrome plated

Note:

For use with monitoring contacts in locks and striker boxes.



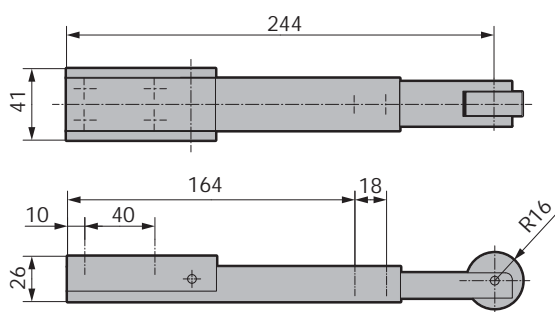
### Pushing flap MK 396

- For double sash fire- and smoke-protection doors
- Can be screwed onto the inactive sash
- Mounted on side opposite hinge

Part#	Material/finish
05.670.0000.010	St galvanized

**Note:**

If a double-sash door is opened via the inactive sash, the pushing flap mounted on the inactive sash moves the active sash until a correct door closing sequence is guaranteed.



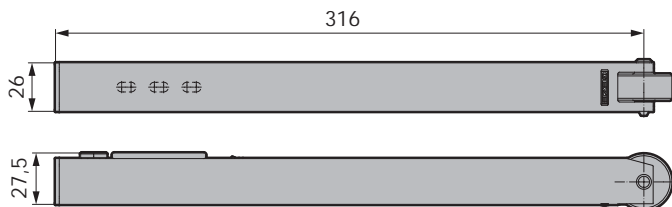
### Pushing flap MK 397

- For double sash fire- and smoke-protection doors
- Can be screwed onto the inactive sash

Part#	Material/finish
05.671.0000.010	St galvanized

**Note:**

If a double-sash door is opened via the inactive sash, the pushing flap mounted on the inactive sash moves the active sash until a correct door closing sequence is guaranteed.



### Pushing flap CB-Flex

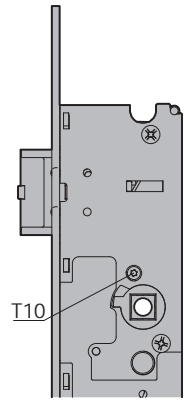
- Pushing flap to ensure the correct closing sequence of double-sash fire-protection doors

Part#	Material/finish
05.672.0000.235	Al silver lacquered
05.672.0000.299	Al special colour powder coat

## Instructions for changing the egress direction

### Function B and D in panic locks as well as function B and EDS in self-locking panic locks

The panic function is pre-set as an outward function. To change the direction of egress, remove the mandrel (T10) as shown in the illustration and replace in the same position on the other side of the lock. Please pay attention to the following information!



## Notes on panic doors that open inwards

Emergency doors should always open outwards, in other words in the egress direction. Exceptions are possible on account of structural conditions.

An emergency door function that opens inwards is only allowed for single-sash doors following a check in accordance with EN 179. This always requires the approval of the building authorities!

## Notes for oversized panic doors

The standards EN 179 and EN 1125 relate to the defined function of the lock under defined force specifications. They describe the door dimensions as follows:



Door height = max. 2.520 mm  
Door width = max. 1.320 mm

Different door sizes may be proven in special tests.

Please take the wind loads and weights into account when planning and executing larger elements. The user group may be restricted on account of the greater force needed to open the door.

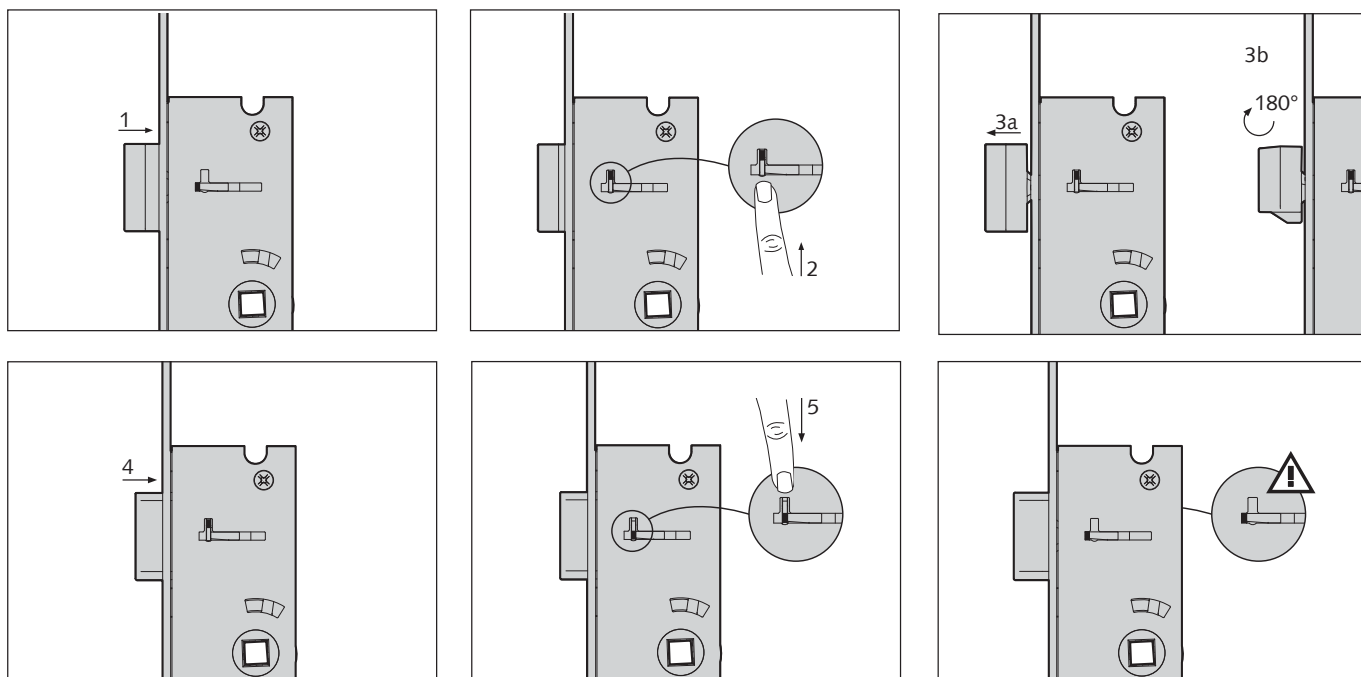
Please consult the pertinent authorities in the case of children or persons with physical disabilities.

The door sash dimensions and weights specified in this catalogue were determined on system-neutral elements and may therefore differ from the certified maximum values of the system suppliers.

You must comply with the specifications of the system suppliers!

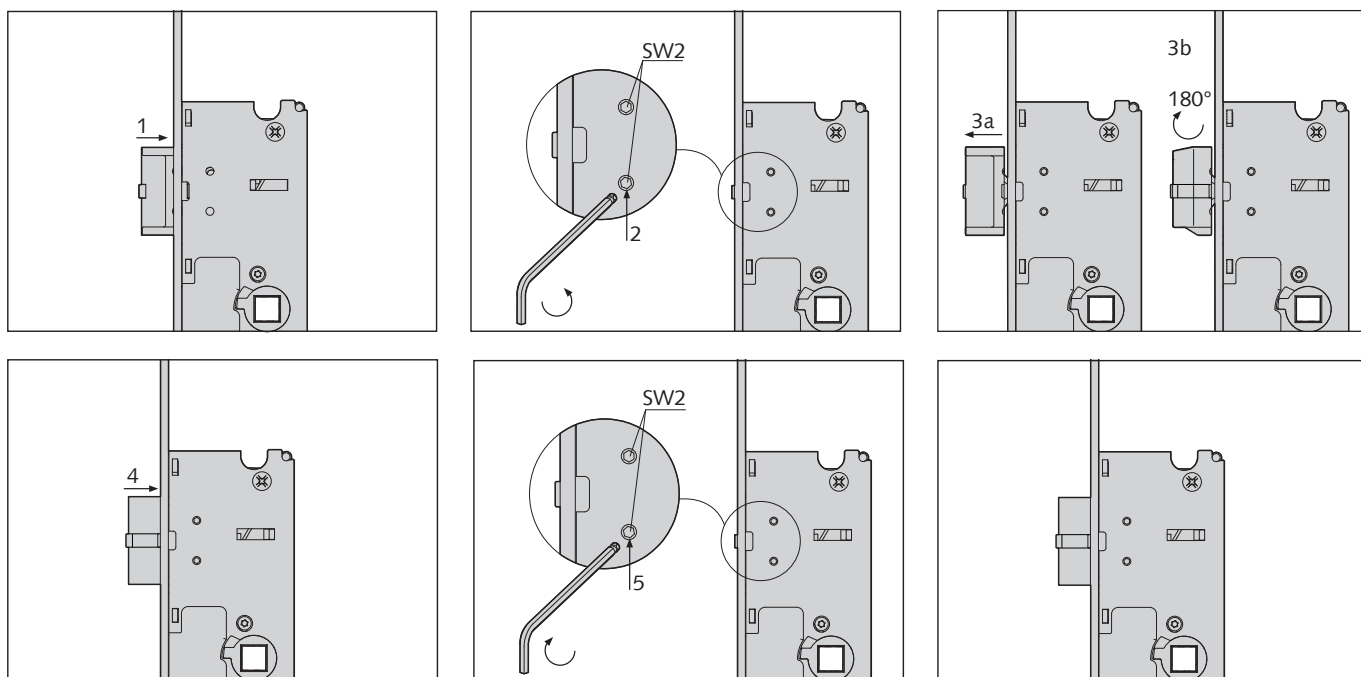


## Instructions for changing the DIN direction of panic locks



Press the latch into the lock case (1) until the slider can be pushed up (2). Pull the latch head out of the case (3a) and rotate by 180° (3b). Then press the latch head back into the case (4) and push the slider down to lock it (5).

## Instructions for changing the DIN direction of self-locking panic locks



Press the latch into the lock case (1) loosen the fixing screw (2) with the Allen key (size 2). Pull the latch head out of the case (3a) and rotate by 180° (3b). Then press the latch head back into the case (4) and tighten the fixing screw (5).

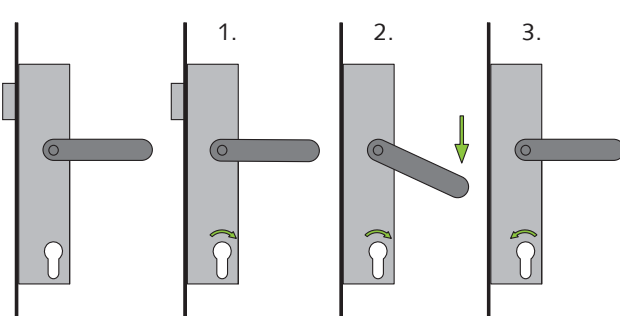
# Instructions for protected latch retainer function E in panic locks

- Latch retainer for daytime opening (always open)\*

**Activation:**

1. Turn the key fully in the direction of the hinge and hold in place.
2. Operate the door handle.
3. Turn the key back (towards the front plate), remove and release the door handle.

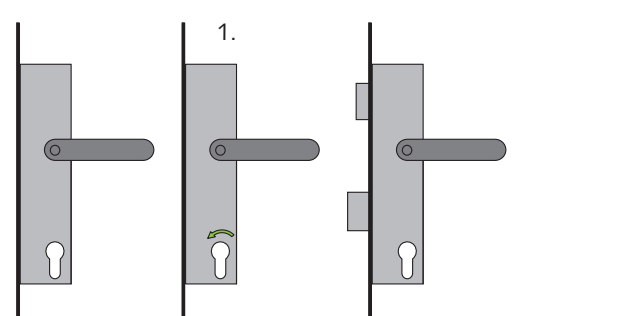
The latch is locked.



**Deactivation:**

1. Turn the key in the direction of the front plate and thus unlock the deadbolt.

The latch is now active again.



\* not allowed for smoke- and fire-resistant doors

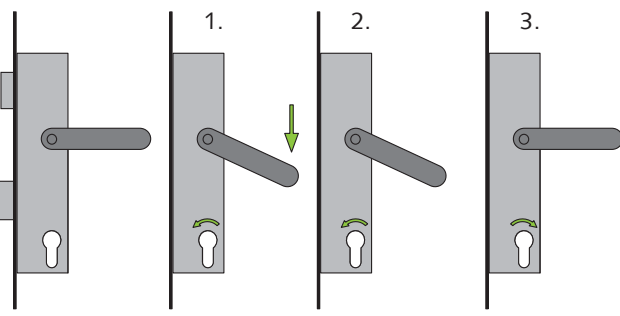
# Instructions for protected latch and deadbolt retainers and protected deadbolt retainer function E in self-locking panic locks

- Latch and deadbolt retainer for daytime opening (always open)\*
- Deadbolt retainer for use with e-openers

**Activation:**

1. Turn the key fully in the direction of the front plate and hold in place.
2. Operate the door handle.
3. Turn the key back (towards the hinge), remove and release the door handle.

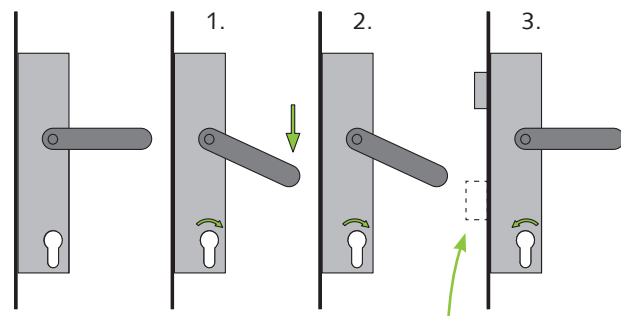
The latch and deadbolt or only the deadbolt are locked.



**Deactivation:**

1. Turn the key fully in the direction of the hinge and hold in place.
2. Operate the door handle.
3. Turn the key back (towards the front plate), remove and release the door handle.

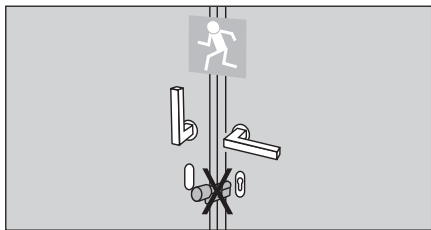
The latch and deadbolt or only the deadbolt are locked.



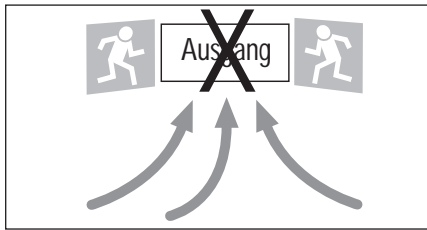
\* not allowed for smoke- and fire-resistant doors

## Instructions for use

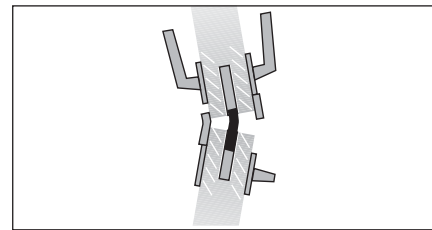
Pay attention to the following when using locks. (The Quality Association has recommended that manufacturers of locks and door hardware use these pictograms).



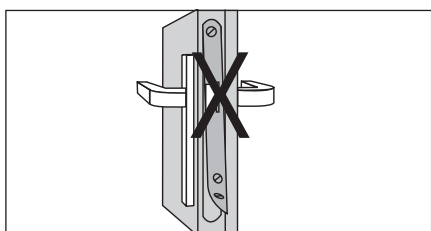
No locking cylinders may be installed in panic locks with a knob or turning knob.



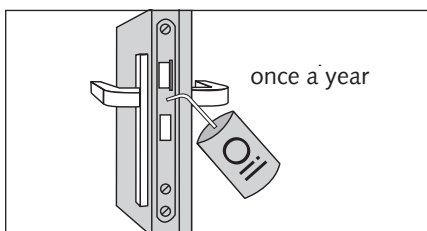
The panic handle may only be actuated in an emergency (not in permanent operation).



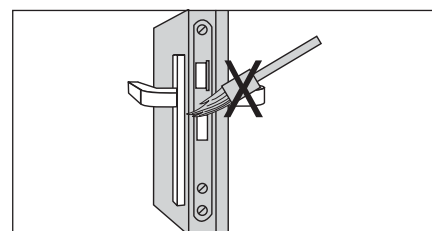
Double-sash doors may not be forced open by via the inactive sash.



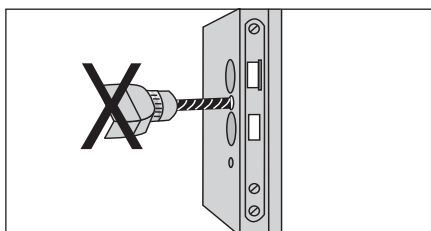
The lock has to be replaced as soon as it shows signs of having been forced.



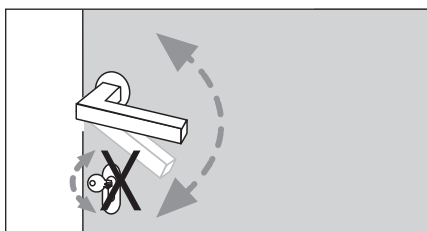
Lubricate locks at least once a year (do not use resinous oils or spray lubricants).



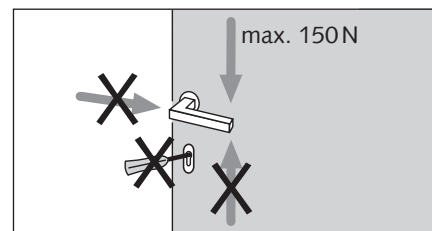
Do not paint over the deadbolt and latch.



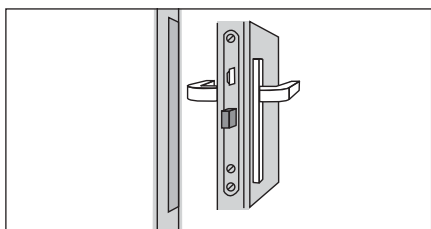
Do not drill through the door sash in the area of the lock when the lock is installed.



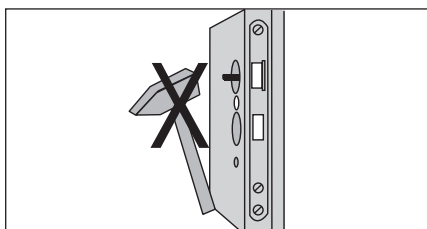
The handle and key may not be operated at the same time.



The handle may only be pushed in the normal direction of rotation. A maximum force of 150N may be applied to the handle in the direction of actuation.



The deadbolt may not be extended when the door is open.



The square spindle may not be forcibly knocked through the follower.



Part#	Page	Part#	Page	Part#	Page	Part#	Page	Part#	Page
14.284.3500.426	45	14.370.8000.426	54	14.504.4500.---	10	14.525.3400.---	19	14.536.3900.---	22
14.284.4000.426	45	14.400.0000.112	46	14.505.3000.---	10	14.525.3500.---	19	14.536.4000.---	22
14.284.4500.426	45	14.400.0001.137	46	14.505.3400.---	10	14.525.3900.---	19	14.536.4400.---	22
14.284.5500.426	45	14.440.0000.112	46	14.505.3500.---	10	14.525.4000.---	19	14.536.4500.---	22
14.284.6500.426	45	14.440.0001.137	46	14.505.3900.---	10	14.525.4400.---	19	14.537.3000.---	22
14.284.8000.426	45	14.484.0000.112	46	14.505.4000.---	10	14.525.4500.---	19	14.537.3400.---	22
14.285.3500.426	45	14.484.0000.198	46	14.505.4400.---	10	14.526.3000.---	19	14.537.3500.---	22
14.285.4000.426	45	14.484.1000.112	46	14.505.4500.---	10	14.526.3400.---	19	14.537.3900.---	22
14.285.4500.426	45	14.484.1000.198	46	14.510.3000.---	11	14.526.3500.---	19	14.537.4000.---	22
14.285.5500.426	45	14.484.2000.112	46	14.510.3400.---	11	14.526.3900.---	19	14.537.4400.---	22
14.285.6500.426	45	14.484.2000.198	46	14.510.3500.---	11	14.526.4000.---	19	14.537.4500.---	22
14.285.8000.426	45	14.484.3000.112	46	14.510.3900.---	11	14.526.4400.---	19	14.538.3000.---	22
14.288.0000.405	50	14.484.3000.198	46	14.510.4000.---	11	14.526.4500.---	19	14.538.3400.---	22
14.288.1000.405	50	14.484.4000.112	46	14.510.4400.---	11	14.528.3000.---	20	14.538.3500.---	22
14.290.0000.426	48	14.484.4000.198	46	14.510.4500.---	11	14.528.3400.---	20	14.538.3900.---	22
14.292.2900.426	54	14.484.5000.112	46	14.511.3000.---	11	14.528.3500.---	20	14.538.4000.---	22
14.292.3000.426	54	14.484.5000.198	46	14.511.3400.---	11	14.528.3900.---	20	14.538.4400.---	22
14.292.3400.426	54	14.492.0000.112	46	14.511.3500.---	11	14.528.4000.---	20	14.538.4500.---	22
14.292.3500.426	54	14.492.0000.198	46	14.511.3900.---	11	14.528.4400.---	20	14.539.3000.---	22
14.292.3900.426	54	14.492.1000.112	46	14.511.4000.---	11	14.528.4500.---	20	14.539.3400.---	22
14.292.4000.426	54	14.492.1000.198	46	14.511.4400.---	11	14.529.3000.---	20	14.539.3500.---	22
14.292.4400.426	54	14.492.2000.112	46	14.511.4500.---	11	14.529.3400.---	20	14.539.3900.---	22
14.292.4500.426	54	14.492.2000.198	46	14.512.3000.---	11	14.529.3500.---	20	14.539.4000.---	22
14.292.5500.426	54	14.492.3000.112	46	14.512.3400.---	11	14.529.3900.---	20	14.539.4400.---	22
14.292.6500.426	54	14.492.3000.198	46	14.512.3500.---	11	14.529.4000.---	20	14.539.4500.---	22
14.292.8000.426	54	14.492.4000.112	46	14.512.3900.---	11	14.529.4400.---	20	14.540.3000.---	23
14.293.3045.011	54	14.492.4000.198	46	14.512.4000.---	11	14.529.4500.---	20	14.540.3400.---	23
14.293.6580.011	54	14.492.5000.112	46	14.512.4400.---	11	14.530.3000.---	20	14.540.3500.---	23
14.294.2454.405	50	14.492.5000.198	46	14.512.4500.---	11	14.530.3400.---	20	14.540.3900.---	23
14.294.2462.405	50	14.500.2400.---	10	14.520.3000.---	18	14.530.3500.---	20	14.540.4000.---	23
14.300.2400.428	49	14.500.3000.---	10	14.520.3400.---	18	14.530.3900.---	20	14.540.4400.---	23
14.300.6500.428	49	14.500.3400.---	10	14.520.3500.---	18	14.530.4000.---	20	14.540.4500.---	23
14.302.2400.426	52	14.500.3500.---	10	14.520.3900.---	18	14.530.4400.---	20	14.541.3000.---	23
14.306.6000.426	52	14.500.3900.---	10	14.520.4000.---	18	14.530.4500.---	20	14.541.3400.---	23
14.307.6000.426	52	14.500.4000.---	10	14.520.4400.---	18	14.532.3000.---	21	14.541.3500.---	23
14.308.0000.426	53	14.500.4400.---	10	14.520.4500.---	18	14.532.3400.---	21	14.541.3900.---	23
14.308.1000.426	53	14.500.4500.---	10	14.521.3000.---	18	14.532.3500.---	21	14.541.4000.---	23
14.321.1000.405	48	14.501.3000.---	10	14.521.3400.---	18	14.532.3900.---	21	14.541.4400.---	23
14.322.1000.405	48	14.501.3400.---	10	14.521.3500.---	18	14.532.4000.---	21	14.541.4500.---	23
14.323.2000.010	53	14.501.3500.---	10	14.521.3900.---	18	14.532.4400.---	21	14.542.3000.---	23
14.323.2500.010	53	14.501.3900.---	10	14.521.4000.---	18	14.532.4500.---	21	14.542.3400.---	23
14.324.0000.010	53	14.501.4000.---	10	14.521.4400.---	18	14.533.3000.---	21	14.542.3500.---	23
14.324.1000.010	53	14.501.4400.---	10	14.521.4500.---	18	14.533.3400.---	21	14.542.3900.---	23
14.326.0000.405	54	14.501.4500.---	10	14.522.3000.---	18	14.533.3500.---	21	14.542.4000.---	23
14.340.2400.426	51	14.502.2400.---	10	14.522.3400.---	18	14.533.3900.---	21	14.542.4400.---	23
14.341.2400.426	52	14.502.3000.---	10	14.522.3500.---	18	14.533.4000.---	21	14.542.4500.---	23
14.341.2401.426	52	14.502.3400.---	10	14.522.3900.---	18	14.533.4400.---	21	14.543.3000.---	23
14.342.2400.426	51	14.502.3500.---	10	14.522.4000.---	18	14.533.4500.---	21	14.543.3400.---	23
14.370.2900.426	54	14.502.3900.---	10	14.522.4400.---	18	14.534.3000.---	21	14.543.3500.---	23
14.370.3000.426	54	14.502.4000.---	10	14.522.4500.---	18	14.534.3400.---	21	14.543.3900.---	23
14.370.3400.426	54	14.502.4400.---	10	14.524.3000.---	19	14.534.3500.---	21	14.543.4000.---	23
14.370.3500.426	54	14.502.4500.---	10	14.524.3400.---	19	14.534.3900.---	21	14.543.4400.---	23
14.370.3900.426	54	14.504.3000.---	10	14.524.3500.---	19	14.534.4000.---	21	14.543.4500.---	23
14.370.4000.426	54	14.504.3400.---	10	14.524.3900.---	19	14.534.4400.---	21	14.544.3000.---	24
14.370.4400.426	54	14.504.3500.---	10	14.524.4000.---	19	14.534.4500.---	21	14.544.3400.---	24
14.370.4500.426	54	14.504.3900.---	10	14.524.4400.---	19	14.536.3000.---	22	14.544.3500.---	24
14.370.5500.426	54	14.504.4000.---	10	14.524.4500.---	19	14.536.3400.---	22	14.544.3900.---	24
14.370.6500.426	54	14.504.4400.---	10	14.525.3000.---	19	14.536.3500.---	22	14.544.4000.---	24

Part#	Page	Part#	Page	Part#	Page	Part#	Page	Part#	Page
14.544.4400.---	24	14.546.4400.---	24	14.548.4400.---	25	14.550.4400.---	25	14.124.2400.426	15
14.544.4500.---	24	14.546.4500.---	24	14.548.4500.---	25	14.550.4500.---	25	50010665	59
14.545.3000.---	24	14.547.3000.---	24	14.549.3000.---	25	14.551.3000.---	25	50012111	59
14.545.3400.---	24	14.547.3400.---	24	14.549.3400.---	25	14.551.3400.---	25	50012400	59
14.545.3500.---	24	14.547.3500.---	24	14.549.3500.---	25	14.551.3500.---	25	50012477	59
14.545.3900.---	24	14.547.3900.---	24	14.549.3900.---	25	14.551.3900.---	25	50014907	59
14.545.4000.---	24	14.547.4000.---	24	14.549.4000.---	25	14.551.4000.---	25	50022267	59
14.545.4400.---	24	14.547.4400.---	24	14.549.4400.---	25	14.551.4400.---	25	50022268	59
14.545.4500.---	24	14.547.4500.---	24	14.549.4500.---	25	14.551.4500.---	25		
14.546.3000.---	24	14.548.3000.---	25	14.550.3000.---	25	14.600.0000.000	62		
14.546.3400.---	24	14.548.3400.---	25	14.550.3400.---	25	14.610.0000.000	61		
14.546.3500.---	24	14.548.3500.---	25	14.550.3500.---	25	14.615.0000.000	61		
14.546.3900.---	24	14.548.3900.---	25	14.550.3900.---	25	14.616.0000.000	61		
14.546.4000.---	24	14.548.4000.---	25	14.550.4000.---	25	14.617.0000.000	61		

## Subject index

	Page		Page		Page
Striker box connecting cable	61	Top-hat rail power supply unit with UPS	60	Striker plate for additional interlock and top lock	52
Striker box connecting cable with e-opener	61	Cable crossover 480	62	Closed striker plate, flat shape	51
Lock connecting cable	61	Cable crossover, detachable	62	Closed striker plate, U-shaped	51
Floor bush for additional interlock, bottom	56	VARIO LINE flush bolt	55	Striker plate with 3 screw holes, closed	52
Floor locking striker for additional interlock, bottom	57	Lug Striker plate for top lock, rebate locking bolt	56	Striker plate with 3 screw holes, open	52
Floor locking striker for additional interlock, bottom, adjustable	57	Pushing flap CB-Flex	63	Open striker plate, flat shape for e-opener	51
Square spindles	47	Pushing flap MK 396	63	Locking cavity with stop plates	58
Mortise lock	12	Pushing flap MK 397	63	Locking plate for 10mm round rod	58
Mortise lock	15	Installation and adjustment hooks	54	Standard set 1	10
Mortise lock with additional interlock	13	Power supply unit	60	Standard set 2	11
Electric door opener 118 with radius latch	59	PD 99 panic push bar	46	Inactive sash set 1 with VARIO LINE flush bolt	42
Electric door opener 118.13 ProFix 2 with radius latch	59	Panic latch lock	28	Inactive sash set 2 with rebate locking bolt	43
Electric door opener 143 ProFix 2 with radius latch	59	Panic latch lock with additional interlock	29	Rod guide with sinkhole	54
Electric door opener 143 with radius latch	59	Panic striker box	44	Rod guide Series 200, spring-mounted	54
Latch 12 mm for additional interlock with latch guide	48	Panic striker box with e-opener	45	Rod guide, bottom, with plastic bush	54
Latch 12/16 mm for additional interlock with latch guide	48	Panic set 11	18	Self-locking panic set 21	30
Spring-mounted latch with guide	50	Panic set 12	19	Self-locking panic set 22	31
Latch run-out plate	49	Panic set 13	20	Self-locking panic set 23	32
Latch lock	14	Panic set 14	21	Self-locking panic set 24	33
Latch lock with additional interlock	15	Panic set 15	22	Self-locking panic set 25	34
Rebate locking bolt, front plate according to DIN 18250	55	Panic set 16	23	Self-locking panic set 26	35
Bushing	49	Panic set 17	24	Self-locking panic set 27	36
Brass guide bush for 10 mm round rod	58	Panic set 18	25	Self-locking panic set 28	37
Sliding plugs for top lock	56	Design-Line panic push bar	46	Reinforcing rod for rebate locking bolt set	57
Top-hat rail power supply unit	60	Panic square pin, split in the middle	47	Reinforcing rod for flush bolt set	57
		Top lock for rebate locking bolt	56	Concealed power supply unit	60
		Top lock with guide	50	Connecting rod for additional interlock	53
		Striker plate for top lock, rebate locking bolt	56	Locking rod, bottom	53
		Striker plate for Profix 2 e-opener	53	Locking bolt, bottom	53
		Striker plate for top e-opener	52		
		Striker plate for doors with threshold	49		
		Striker plate for doors without threshold	49		



**Wilh. Schlehtendahl & Söhne**  
GmbH & Co. KG

Hauptstraße 18–32  
42579 Heiligenhaus  
Germany

Tel: +49 (0) 20 56/17-0  
Fax: +49 (0) 20 56/51 42

wss@wss.de  
www.wss.de

Legal Venue 42579 Heiligenhaus,  
District Court Wuppertal, HRA 20804

Managing Directors: Guido Lücker, Robin Fasel

VAT ID No.: DE 121546484  
Tax no.: 13957280071

All images, product, dimensions and design details are related to the date of publishing. We reserve the right to changes in the interests of technical progress and further developments. No liability for printing errors or other technical mistakes. No legal claims of whatever kind can be derived from the use of our documents. Reprints of this document, even in part, require our written approval.

Express reference is made to our general terms and conditions of business, available at [www.wss.de](http://www.wss.de).