

Handles

WSS New Line

WSS Classic Line

FSB

OGRO

Hoppe

Smartline Secure

WSS Basic Line

Accessories for rim gates

Shell grips

WSS customized hardware



Content

General information	Page 3
FAQ:	Page 3
Door handles from the DORMA OGRO series	Page 3
Requirements in compliance with DIN EN 179 for hardware	Page 3
WSS New Line	Page 4
WSS Classic Line	Page 9
FSB	Page 21
OGRO	Page 29
HOPPE	Page 37
Smartline Secure	Page 39
WSS Basic Line	Page 43
Accessories for rim gates	Page 47
Shell grips	Page 53
WSS customized hardware	Page 58
Appendix	Page 61
Index	Page 61

FAQ

What is a split spindle used for?

A split spindle connects the outer and inner parts of the door handle hole on locks with a split bolt. It comprises two square spindles with a cross-section of 9 mm. They are secured together so that they can rotate.

Which lever handles are best for profile frame doors?

Offset or cranked door handles and door knobs are recommended for profile frame doors. Their shape helps to prevent hands from being injured in the door frame.



What do you need to consider when installing door handles on fixed leaf doors?

No door handles with a returning mechanism should be used on angles of rotation over 45°. Where possible, the handle should not be installed horizontally on fixed leaves; instead it should be affixed vertically so that users can easily differentiate between active and fixed leaves.



What specifics apply to fire door hardware?

Fire door hardware must fulfil the criteria of specific norms and must have proven their suitability in tests and durability tests. The requirements are set out in the currently applicable norm DIN 18273.



Which requirements do door handles for emergency locks have to fulfil in line with DIN EN 179?



In accordance with DIN EN 179, only door handles which do not have any protruding corners or edges that could lead to injury may be used.

The end of the door handle must face the door. The technical characteristics are listed below.

What does fixed backplate mean in the context of door handles?

Fixed backplate door handles or door knobs are affixed onto the plate or escutcheon in such a way that they can move.

What are threaded cams? What are they for?

Threaded cams are located on the inside of the outer plate. They feature an internal thread and serve to support the fixing screws, which are screwed in through the inner plate and the door leaf.

What does cylinder protection do?

The cylinder protection is a pivoted cylinder cover made of hardened metal in the escutcheon or the plate. This cover serves to protect the cylinder core from being pulled out too strongly.



What type of square spindles are used for smoke protection and fire doors?

A square spindle must bear the 18273 hallmark to be used on smoke protection and fire doors.

Door handles from the DORMA OGRO series

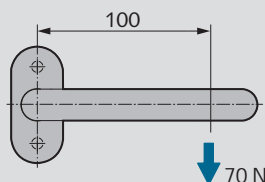
Note:

Approved in compliance with EN 1906 with usage class 4 for use in highly frequented properties.

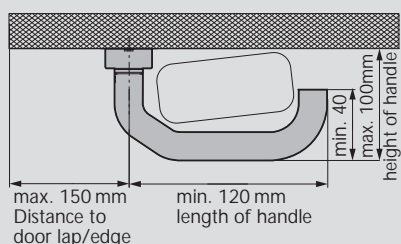
MPA-certified durability test with 1.000.000 operations. Certified in accordance with DIN EN 1634-1.

Requirements in compliance with DIN EN 179 for hardware

An emergency exit lock must allow a door to be opened by hand from the inside within one second. The force required to open the door must not exceed 70 N.



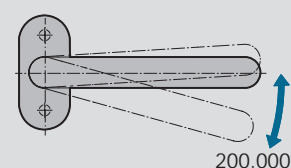
The shape of the door handle must be chosen so that there are no protruding corners or edges that could lead to injury; the edge radius must be at least 0,5 mm. The free end of the door handle must be designed so that it can be seen against the surface of the door to avoid the risk of injury.



To test resistance against misuse, the fitting must be able to withstand a force of 1.000 N vertical to the leaf, and a force of 500 N parallel to the door leaf.

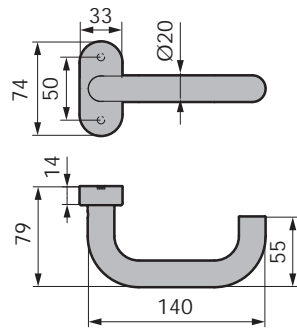


Durability is tested over 200.000 test cycles.





Model 202

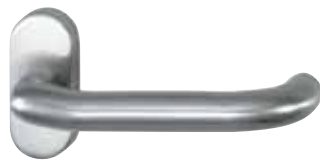


WSS door handle U-shape

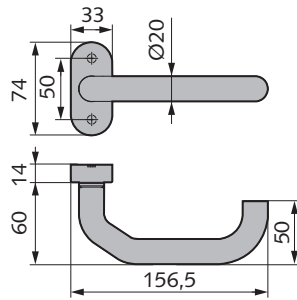


- with 8 or 9 mm square hole
- fixed backplate
- on oval escutcheon

Part#	Square	Return- ing m.	Classifi- cation	Material/finish
50012491	8	√	—	304 matt brushed
50016006	9	√	179/FS	304 matt brushed
50021183	9	—	179/FS	304 matt brushed



Model 255



U-shape door handle, offset

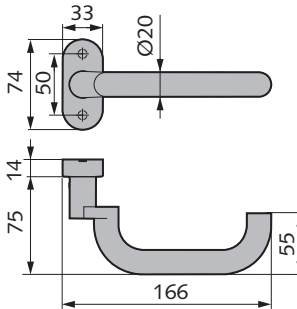


- with 8 or 9 mm square hole
- fixed backplate
- on oval escutcheon

Part#	Square	Return- ing m.	Classifi- cation	Material/finish
50012073	8	√	—	304 matt brushed
50012105	9	√	179/FS	304 matt brushed
50013923	9	—	179/FS	304 matt brushed



Model 302



WSS door handle, offset



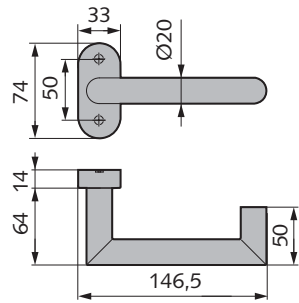
- with 8 or 9 mm square hole
- fixed backplate
- on oval escutcheon

Part#	Square	Return- ing m.	Classifi- cation	Material/finish
50010755	8	√	—	304 matt brushed
50012072	9	√	179/FS	304 matt brushed
50013924	9	—	179/FS	304 matt brushed

Handles



Model 224



WSS door handle U-shape, cranked

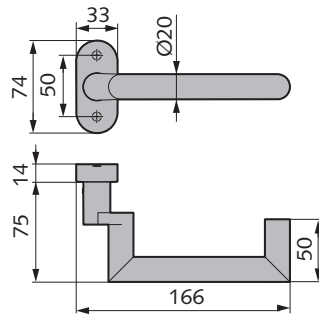
- with 8 or 9 mm square hole
- fixed backplate
- on oval escutcheon



Part#	Square	Return- ing m.	Classifi- cation	Material/finish
50015481	8	√	—	304 matt brushed
50013287	9	√	179/FS	304 matt brushed
50018185	9	—	179/FS	304 matt brushed



Model 324



WSS door handle U-shape, mitred, cranked

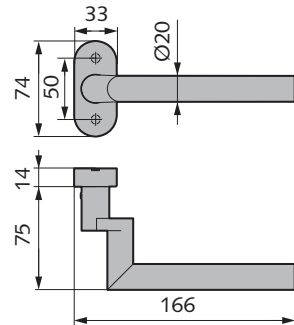
- with 8 or 9 mm square hole
- fixed backplate
- on oval escutcheon



Part#	Square	Return- ing m.	Classifi- cation	Material/finish
50012577	9	√	179/FS	304 matt brushed
50014366	9	—	179/FS	304 matt brushed
50016129	8	√	—	304 matt brushed



Model 303



WSS door handle, L-shape, cranked

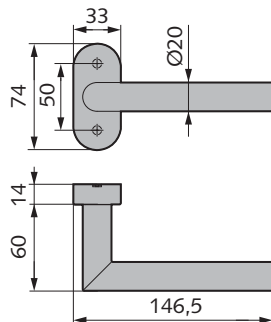
- with 8 or 9 mm square hole
- fixed backplate
- on oval escutcheon



Part#	Square	Return- ing m.	Classifi- cation	Material/finish
50010795	9	—	FS	304 matt brushed
50012683	8	√	—	304 matt brushed
50013833	9	√	FS	304 matt brushed



Model 203



WSS door handle L-shape, mitred

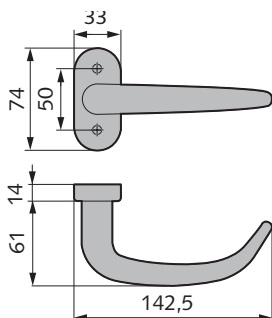
- with 8 or 9 mm square hole
- fixed backplate
- on oval escutcheon



Part#	Square	Return- ing m.	Classifi- cation	Material/finish
50012341	8	√	—	304 matt brushed
50011056	9	√	FS	304 matt brushed
50019268	9	—	FS	304 matt brushed



Model 299



WSS door handle sabre shape

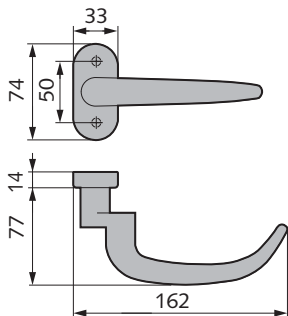
- with 8 or 9 mm square hole
- fixed backplate
- on oval escutcheon



Part#	Square	Return- ing m.	Classifi- cation	Material/finish
50021151	8	√	—	304 matt brushed
50013926	9	√	179/FS	304 matt brushed
50015524	9	—	179/FS	304 matt brushed



Model 399



WSS door handle sabre shape, cranked

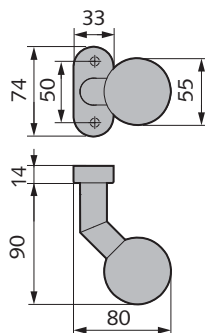
- with 8 or 9 mm square hole
- fixed backplate
- on oval escutcheon



Part#	Square	Return- ing m.	Classifi- cation	Material/finish
50014005	8	√	—	304 matt brushed
50012416	9	√	179/FS	304 matt brushed
50018115	9	—	179/FS	304 matt brushed



Model 826



WSS ball shape door knob, offset

- M6 thread with fixed mounted knobs
- with 8 or 9 mm square hole
- on oval escutcheon



fixed mounted

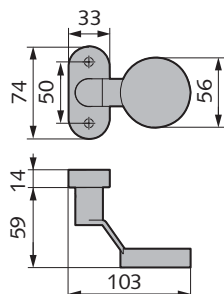
Part#	Square	Returning m.	Material/finish
50010596	—	—	304 matt brushed

fixed backplate

Part#	Square	Returning m.	Material/finish
50014360	8	—	304 matt brushed
50023660	9	—	304 matt brushed



Model 828



WSS flat door knob, offset

- M6 thread with fixed mounted knobs
- with 8 or 9 mm square hole
- on oval escutcheon



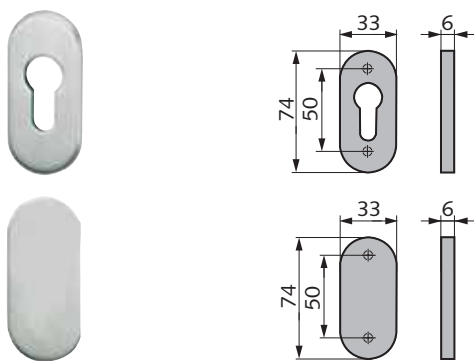
fixed mounted

Part#	Square	Returning m.	Material/finish
50012074	—	—	304 matt brushed

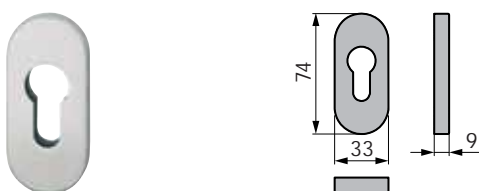
fixed backplate

Part#	Square	Returning m.	Material/finish
50014494	8	—	304 matt brushed
50030603	9	—	304 matt brushed

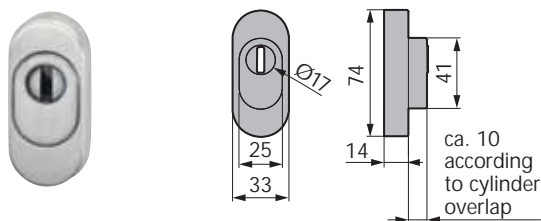
Handles



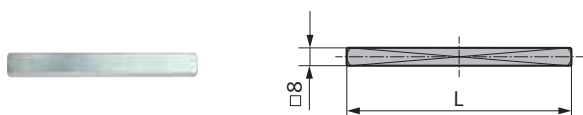
Model 282



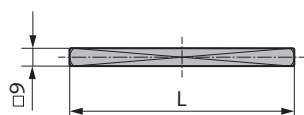
Model 284



Model 480



Model 857



WSS clip escutcheon

- with plastic substructure

PC perforations

Part#	Material/finish
50010754	304 matt brushed

blank

Part#	Material/finish
50015290	304 matt brushed

WSS safety escutcheon

- with steel substructure

Part#	Height	Material/finish
50010780	9	304 matt brushed
50012619	6	304 matt brushed

WSS protective escutcheon

- protective escutcheon with cylinder cover (CC)
- with cylinder protection, for cylinder protrusion of 14-18 mm

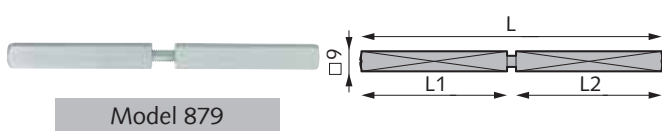
Part#	Material/finish
50012682	304 matt brushed

WSS square spindle

Part#	Square	Length	Material/finish
02.820.1060.010	8	60	St galvanized
02.820.1070.010	8	70	St galvanized
02.820.1130.010	8	130	St galvanized
02.820.1140.010	8	140	St galvanized
02.820.1150.010	8	150	St galvanized
02.820.1160.010	8	160	St galvanized

WSS square spindle

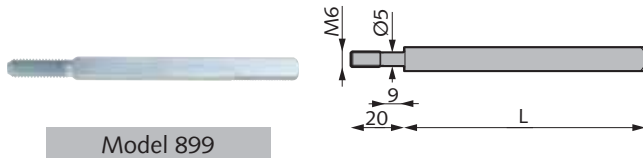
Part#	Square	Length	Material/finish
50016951	9	55	St galvanized
50016959	9	65	St galvanized
50016953	9	130	St galvanized
50016955	9	150	St galvanized
50016952	9	165	St galvanized



Model 879

WSS panic square pin, split

Part#	Square	Dim. L1	Dim. L2	Material/finish
50016954	9	65	65	St galvanized
50016960	9	75	55	St galvanized
50019008	9	90	55	St galvanized
50014986	9	55	55	St galvanized



Model 899

WSS stable spindle

- with M6 thread

Part#	Square	Length	Material/finish
50020511	8	110	St galvanized
50015464	9	90	St galvanized
50020110	9	110	St galvanized

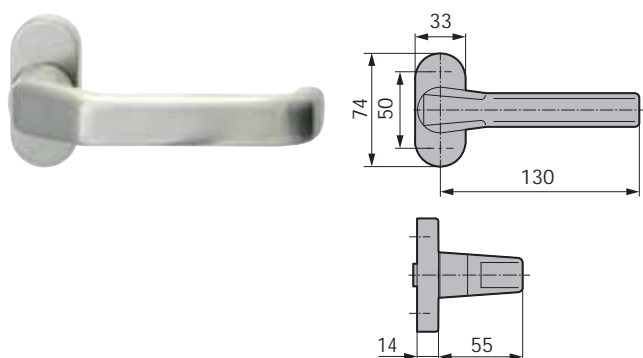


WSS alignment sleeve

- for door handle square pins

Part#	Dim. L1	Dim. L2	Material/finish
02.870.0089.010	8	9	St galvanized

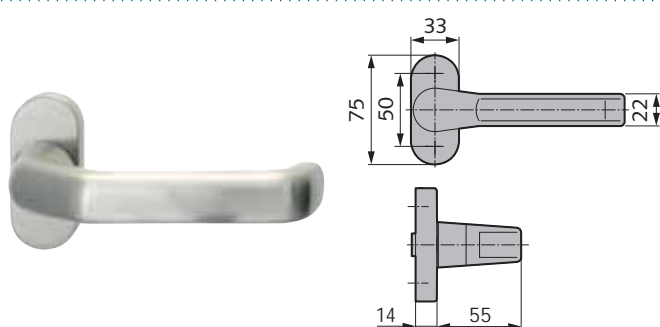
Handles



U-shape door handle, offset

- handle collar with bevel
- with 8 mm square hole
- fixed backplate
- with returning mechanism

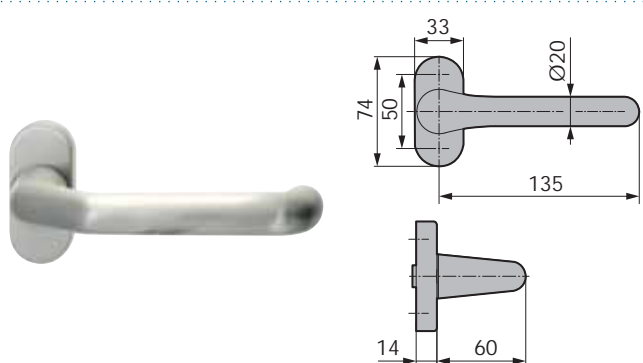
Part#	Square	Material/finish
02.100.1100.112	8	Al E4/C-0 silver anod.
02.100.1100.255	8	Al RAL 9016 powder coat
02.100.1100.426	8	304 matt brushed



U-shape door handle, offset

- with 8 mm square hole
- fixed backplate
- with returning mechanism

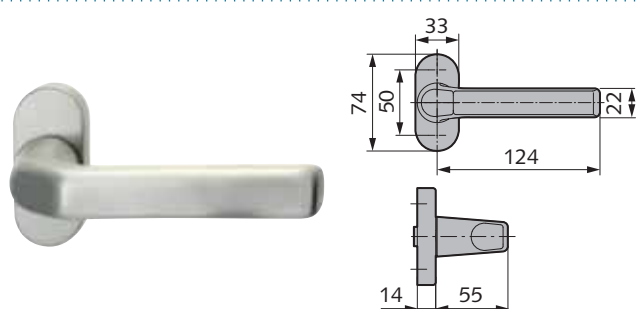
Part#	Square	Material/finish
02.114.1100.112	8	Al E4/C-0 silver anod.
02.114.1100.255	8	Al RAL 9016 powder coat
02.114.1100.426	8	304 matt brushed



U-shape door handle, offset

- with 8 mm square hole
- fixed backplate
- with returning mechanism

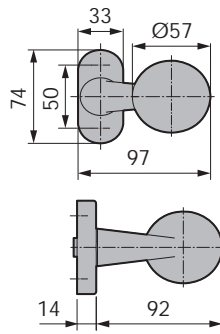
Part#	Square	Material/finish
02.102.1100.112	8	Al E4/C-0 silver anod.
02.102.1100.255	8	Al RAL 9016 powder coat
02.102.1100.426	8	304 matt brushed



WSS door handle, L-shape, offset

- with 8 mm square hole
- fixed backplate
- with returning mechanism

Part#	Square	Material/finish
02.106.1100.112	8	Al E4/C-0 silver anod.
02.106.1100.255	8	Al RAL 9016 powder coat
02.106.1100.426	8	304 matt brushed



WSS ball shape door knob, offset

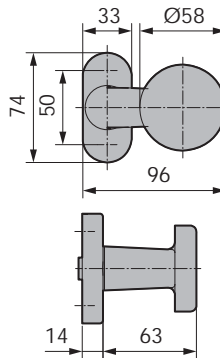
- M6 thread with fixed mounted knobs
- with 8 mm square hole

fixed mounted

Part#	Square	Returning m.	Material/finish
02.250.0100.112	—	—	Al E4/C-0 silver anod.
02.250.0100.255	—	—	Al RAL 9016 powder coat
02.250.0100.426	—	—	304 matt brushed

fixed backplate

Part#	Square	Returning m.	Material/finish
02.250.0101.112	8	√	Al E4/C-0 silver anod.
02.250.0101.255	8	√	Al RAL 9016 powder coat
02.250.0101.426	8	√	304 matt brushed



WSS flat door knob, offset

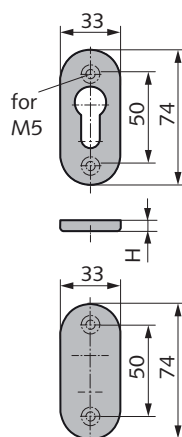
- M6 thread with fixed mounted knobs
- with 8 mm square hole

fixed mounted

Part#	Square	Returning m.	Material/finish
02.252.0100.112	—	—	Al E4/C-0 silver anod.
02.252.0100.255	—	—	Al RAL 9016 powder coat
02.252.0100.426	—	—	304 matt brushed

fixed backplate

Part#	Square	Returning m.	Material/finish
02.252.0101.112	8	√	Al E4/C-0 silver anod.
02.252.0101.255	8	√	Al RAL 9016 powder coat
02.252.0101.426	8	√	304 matt brushed



WSS clip escutcheon

PC escutcheon

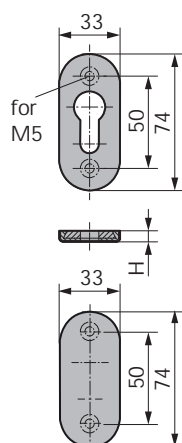
Part#	Height	Material/finish
02.310.0161.112	6	Al E4/C-0 silver anod.
02.310.0161.255	6	Al RAL 9016 powder coat
02.310.0161.426	6	304 matt brushed
02.310.0171.112	7	Al E4/C-0 silver anod.
02.310.0171.255	7	Al RAL 9016 powder coat
02.310.0171.426	7	304 matt brushed
02.310.0191.112	9	Al E4/C-0 silver anod.
02.310.0191.255	9	Al RAL 9016 powder coat
02.310.0191.426	9	304 matt brushed

blank escutcheon

Part#	Height	Material/finish
02.310.0162.112	6	Al E4/C-0 silver anod.
02.310.0162.255	6	Al RAL 9016 powder coat
02.310.0162.426	6	304 matt brushed
02.310.0172.112	7	Al E4/C-0 silver anod.
02.310.0172.255	7	Al RAL 9016 powder coat
02.310.0172.426	7	304 matt brushed
02.310.0192.112	9	Al E4/C-0 silver anod.
02.310.0192.255	9	Al RAL 9016 powder coat
02.310.0192.426	9	304 matt brushed

KABA

Part#	Height	Material/finish
02.310.0163.112	6	Al E4/C-0 silver anod.
02.310.0163.255	6	Al RAL 9016 powder coat
02.310.0163.426	6	304 matt brushed
02.310.0173.112	7	Al E4/C-0 silver anod.
02.310.0173.255	7	Al RAL 9016 powder coat
02.310.0173.426	7	304 matt brushed
02.310.0193.112	9	Al E4/C-0 silver anod.
02.310.0193.255	9	Al RAL 9016 powder coat
02.310.0193.426	9	304 matt brushed



WSS safety escutcheon

PC escutcheon

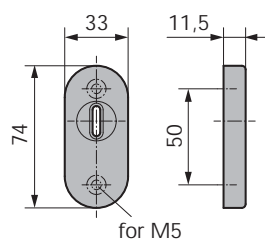
Part#	Height	Material/finish
02.318.0161.112	6	Al E4/C-0 silver anod.
02.318.0161.255	6	Al RAL 9016 powder coat
02.318.0161.426	6	304 matt brushed
02.318.0171.112	7	Al E4/C-0 silver anod.
02.318.0171.255	7	Al RAL 9016 powder coat
02.318.0171.426	7	304 matt brushed
02.318.0191.112	9	Al E4/C-0 silver anod.
02.318.0191.255	9	Al RAL 9016 powder coat
02.318.0191.426	9	304 matt brushed
02.318.0141.112	14	Al E4/C-0 silver anod.
02.318.0141.255	14	Al RAL 9016 powder coat
02.318.0141.426	14	304 matt brushed

blank escutcheon

Part#	Height	Material/finish
02.318.0162.112	6	Al E4/C-0 silver anod.
02.318.0162.255	6	Al RAL 9016 powder coat
02.318.0162.426	6	304 matt brushed
02.318.0172.112	7	Al E4/C-0 silver anod.
02.318.0172.255	7	Al RAL 9016 powder coat
02.318.0172.426	7	304 matt brushed
02.318.0192.112	9	Al E4/C-0 silver anod.
02.318.0192.255	9	Al RAL 9016 powder coat
02.318.0192.426	9	304 matt brushed
02.318.0142.112	14	Al E4/C-0 silver anod.
02.318.0142.255	14	Al RAL 9016 powder coat
02.318.0142.426	14	304 matt brushed

KABA

Part#	Height	Material/finish
02.318.0163.112	6	Al E4/C-0 silver anod.
02.318.0163.255	6	Al RAL 9016 powder coat
02.318.0163.426	6	304 matt brushed
02.318.0173.112	7	Al E4/C-0 silver anod.
02.318.0173.255	7	Al RAL 9016 powder coat
02.318.0173.426	7	304 matt brushed
02.318.0193.112	9	Al E4/C-0 silver anod.
02.318.0193.255	9	Al RAL 9016 powder coat
02.318.0193.426	9	304 matt brushed
02.318.0143.112	14	Al E4/C-0 silver anod.
02.318.0143.255	14	Al RAL 9016 powder coat
02.318.0143.426	14	304 matt brushed



WSS protective escutcheon

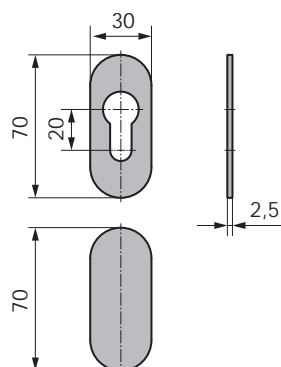
- for cylinder protrusion 7,5 and 10 mm
- also with stainless steel cylinder protection

for cylinder protrusion up to 7,5 mm

Part#	Height	Material/finish
02.324.0111.112	11,5	Al E4/C-0 silver anod.
02.324.0111.255	11,5	Al RAL 9016 powder coat
02.324.0111.426	11,5	304 matt brushed

for cylinder protrusion up to 10 mm

Part#	Height	Material/finish
02.326.0114.112	14,5	Al E4/C-0 silver anod.
02.326.0114.255	14,5	Al RAL 9016 powder coat
02.326.0114.426	14,5	304 matt brushed



WSS adhesive escutcheon

- with adhesive foil
- without screw holes (rear)

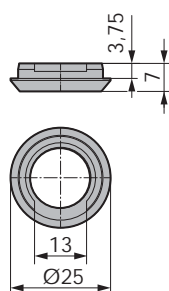
PC escutcheon

Part#	Height	Material/finish
02.370.0121.114	2,5	Al E6/C-0 silver anod.
02.370.0121.255	2,5	Al RAL 9016 powder coat
02.370.0121.426	2,5	304 matt brushed
02.370.0181.114	8,5	Al E6/C-0 silver anod.
02.370.0181.255	8,5	Al RAL 9016 powder coat
02.370.0181.426	8,5	304 matt brushed



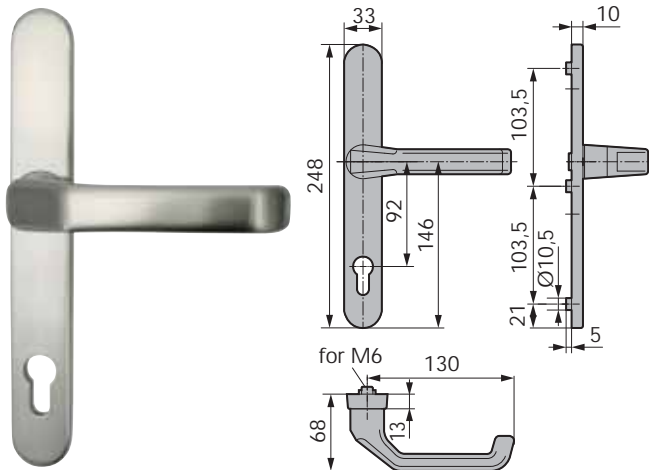
blank escutcheon

Part#	Height	Material/finish
02.370.0182.112	2,5	Al E4/C-0 silver anod.
02.370.0182.255	2,5	Al RAL 9016 powder coat
02.370.0182.426	2,5	304 matt brushed



WSS decorative ring

Part#	Height	Material/finish
02.411.0000.426	7,0	304 matt brushed



PC protrusion in mm

Alu	V2A
min. 12	min. 12
max. 15	max. 17

U-shape door handle, offset

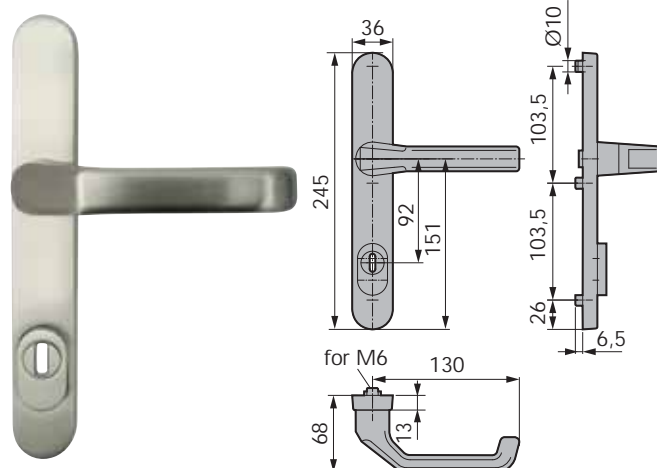
- with 8 mm square hole
- on oval backplate
- angular handle
- screw hole distance 103,5/103,5 mm
- with clearance hole for indoor
- with threaded cams for outdoors
- with returning mechanism

for indoors

Part#	Square	Material/finish
02.100.1301.112	8	Al E4/C-0 silver anod.
02.100.1301.255	8	Al RAL 9016 powder coat
02.100.1301.426	8	304 matt brushed

for outdoors

Part#	Square	Material/finish
02.100.1302.112	8	Al E4/C-0 silver anod.
02.100.1302.255	8	Al RAL 9016 powder coat
02.100.1302.426	8	304 matt brushed



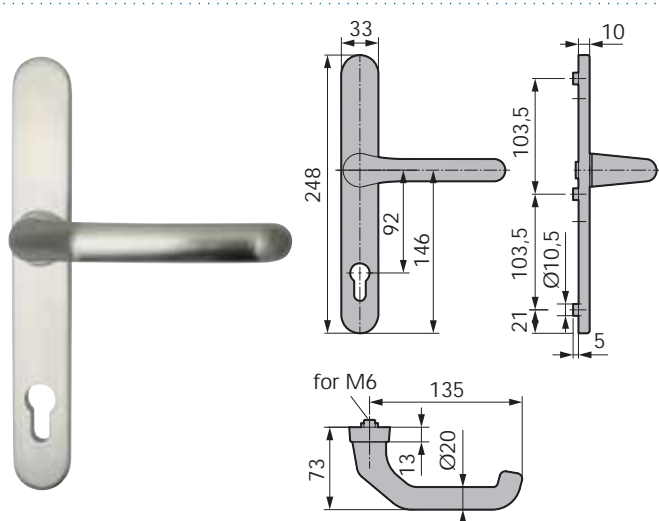
PC protrusion in mm

Alu	V2A
min. 12	min. 12
max. 15	max. 17

WSS U-shape door handle, offset with cylinder protection

- with 8 mm square hole
- on oval backplate
- angular handle
- screw hole distance 103,5/103,5 mm
- fixed backplate
- with returning mechanism

Part#	Square	Material/finish
02.650.1302.112	8	Al E4/C-0 silver anod.
02.650.1302.255	8	Al RAL 9016 powder coat
02.650.1302.426	8	304 matt brushed



PC protrusion in mm

Alu	V2A
min. 12	min. 12
max. 15	max. 17

U-shape door handle, offset

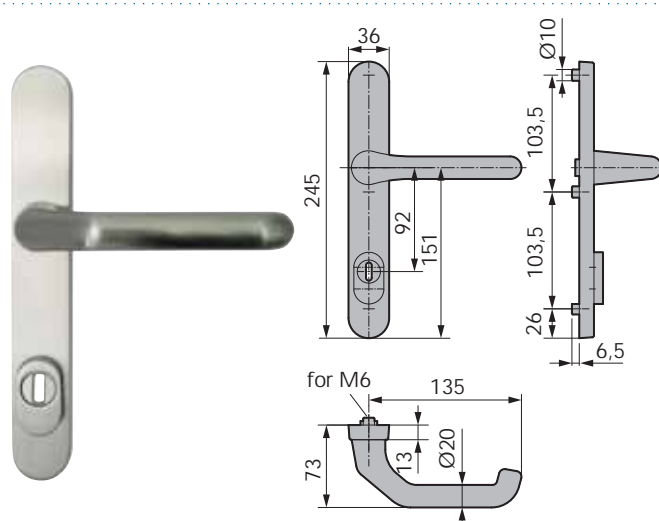
- with 8 mm square hole
- on oval backplate
- round handle
- screw hole distance 103,5/103,5 mm
- with clearance hole for indoor
- with threaded cams for outdoors
- with returning mechanism

for indoors

Part#	Square	Material/finish
02.102.1301.112	8	Al E4/C-0 silver anod.
02.102.1301.255	8	Al RAL 9016 powder coat
02.102.1301.426	8	304 matt brushed

for outdoors

Part#	Square	Material/finish
02.102.1302.112	8	Al E4/C-0 silver anod.
02.102.1302.255	8	Al RAL 9016 powder coat
02.102.1302.426	8	304 matt brushed



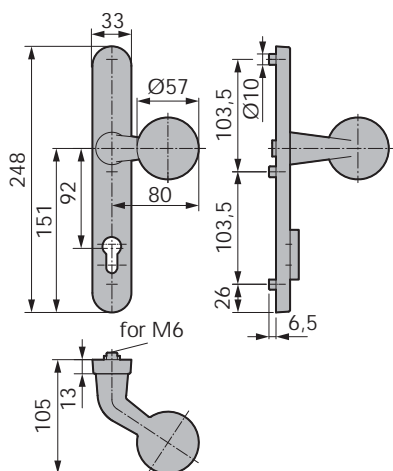
PC protrusion in mm

Alu	V2A
min. 12	min. 12
max. 15	max. 17

WSS U-shape door handle, offset with cylinder protection

- with 8 mm square hole
- on oval backplate
- round handle
- fixed backplate
- screw hole distance 103,5/103,5 mm
- with threaded cams for outdoors
- with returning mechanism

Part#	Square	Material/finish
02.651.1302.112	8	Al E4/C-0 silver anod.
02.651.1302.255	8	Al RAL 9016 powder coat
02.651.1302.426	8	304 matt brushed



PC protrusion in mm

Alu	V2A
min. 12	min. 12
max. 15	max. 17

WSS ball shape door knob, offset

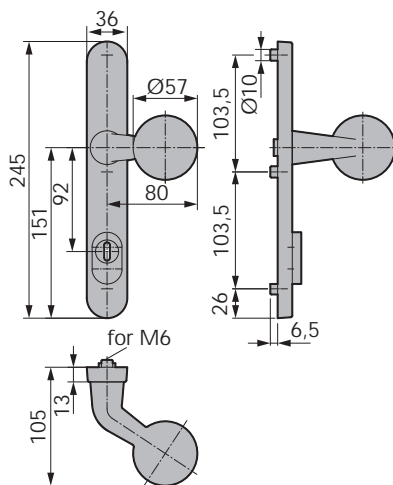
- with 8 mm square hole
- on oval backplate
- screw hole distance 103,5/103,5 mm
- with threaded cams for outdoors
- no thread on fixed mounted knobs

fixed mounted

Part#	Square	Returning m.	Material/finish
02.250.0302.112	—	—	Al E4/C-0 silver anod.
02.250.0302.255	—	—	Al RAL 9016 powder coat
02.250.0302.426	—	—	304 matt brushed

fixed backplate

Part#	Square	Returning m.	Material/finish
02.250.0303.112	8	√	Al E4/C-0 silver anod.
02.250.0303.255	8	√	Al RAL 9016 powder coat
02.250.0303.426	8	√	304 matt brushed



PC protrusion in mm

Alu	V2A
min. 12	min. 12
max. 15	max. 17

WSS ball shape door knob, offset with cylinder protection

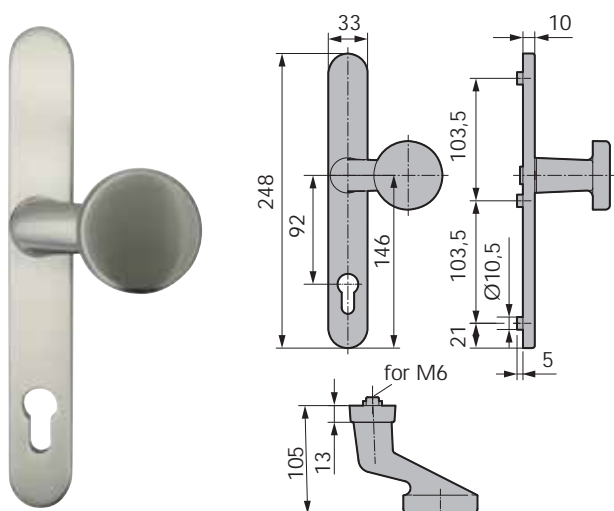
- with 8 mm square hole
- on oval backplate
- screw hole distance 103,5/103,5 mm
- with threaded cams for outdoors
- no thread on fixed mounted knobs

fixed mounted

Part#	Square	Returning m.	Material/finish
02.654.0302.112	—	—	Al E4/C-0 silver anod.
02.654.0302.255	—	—	Al RAL 9016 powder coat
02.654.0302.426	—	—	304 matt brushed

fixed backplate

Part#	Square	Returning m.	Material/finish
02.654.0303.112	8	√	Al E4/C-0 silver anod.
02.654.0303.255	8	√	Al RAL 9016 powder coat
02.654.0303.426	8	√	304 matt brushed



PC protrusion in mm

Alu	V2A
min. 12	min. 12
max. 15	max. 17

WSS flat door knob, offset

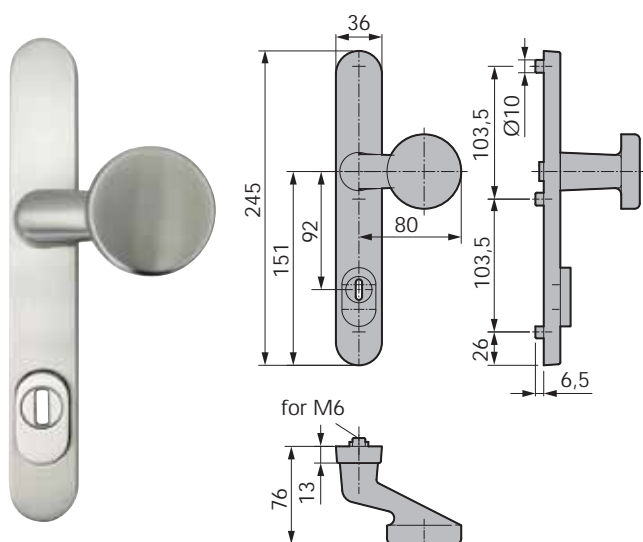
- with 8 mm square hole
- screw hole distance 103,5/103,5 mm
- with threaded cams for outdoors
- no thread on fixed mounted knobs

fixed mounted

Part#	Square	Returning m.	Material/finish
02.252.0302.112	—	—	Al E4/C-0 silver anod.
02.252.0302.255	—	—	Al RAL 9016 powder coat
02.252.0302.426	—	—	304 matt brushed

fixed backplate

Part#	Square	Returning m.	Material/finish
02.252.0303.112	8	√	Al E4/C-0 silver anod.
02.252.0303.255	8	√	Al RAL 9016 powder coat
02.252.0303.426	8	√	304 matt brushed



PC protrusion in mm

Alu	V2A
min. 12	min. 12
max. 15	max. 17

WSS flat door knob, offset with cylinder protection

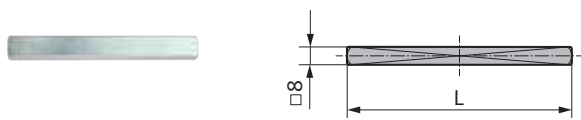
- with 8 mm square hole
- screw hole distance 103,5/103,5 mm
- with threaded cams for outdoors
- no thread on fixed mounted knobs

fixed mounted

Part#	Square	Returning m.	Material/finish
02.655.0302.112	—	—	Al E4/C-0 silver anod.
02.655.0302.255	—	—	Al RAL 9016 powder coat
02.655.0302.426	—	—	304 matt brushed

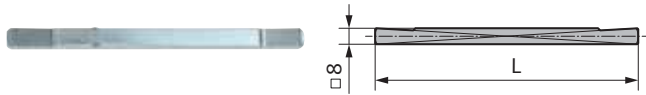
fixed backplate

Part#	Square	Returning m.	Material/finish
02.655.0303.112	8	√	Al E4/C-0 silver anod.
02.655.0303.255	8	√	Al RAL 9016 powder coat
02.655.0303.426	8	√	304 matt brushed



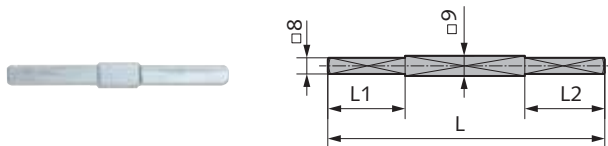
WSS square spindle

Part#	Square	Length	Material/finish
02.820.1060.010	8	60	St galvanized
02.820.1070.010	8	70	St galvanized
02.820.1140.010	8	140	St galvanized
02.820.1150.010	8	150	St galvanized
02.820.1160.010	8	160	St galvanized
02.822.2060.010	9	60	St galvanized
02.822.2080.010	9	80	St galvanized
02.822.2100.010	9	100	St galvanized
02.822.2110.010	9	110	St galvanized
02.822.2120.010	9	120	St galvanized
02.822.2130.010	9	130	St galvanized
02.822.2150.010	9	150	St galvanized
02.822.2160.010	9	160	St galvanized
02.822.2170.010	9	170	St galvanized
02.822.2180.010	9	180	St galvanized



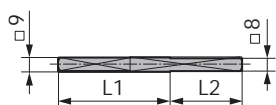
WSS square spindle, with tooth system

Part#	Square	Length	Material/finish
02.826.1110.010	8	110	St galvanized
02.826.1120.010	8	120	St galvanized
02.826.1130.010	8	130	St galvanized
02.826.1140.010	8	140	St galvanized
02.830.2130.010	9	130	St galvanized
02.830.2110.010	9	110	St galvanized
02.830.2120.010	9	120	St galvanized
02.830.2140.010	9	140	St galvanized



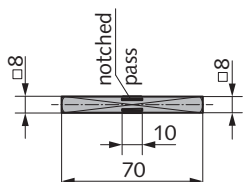
WSS square spindle, offset on both sides

Part#	Square	Length	Dim. L1	Dim. L2	Material/finish
02.840.2100.010	8/9/8	100	30	30	St galvanized
02.840.2130.010	8/9/8	130	40	40	St galvanized
02.840.2135.010	8/9/8	135	40	40	St galvanized
02.840.2140.010	8/9/8	140	40	40	St galvanized
02.840.2150.010	8/9/8	150	40	40	St galvanized
02.840.2165.010	8/9/8	165	40	40	St galvanized
02.840.4100.010	8/10/8	100	30	30	St galvanized
02.840.4130.010	8/10/8	130	40	40	St galvanized
02.840.4150.010	8/10/8	150	40	40	St galvanized
02.840.4160.010	8/10/8	160	40	40	St galvanized
02.840.6130.010	9/10/9	130	40	40	St galvanized
50017313	9/10/9	140	40	40	St galvanized



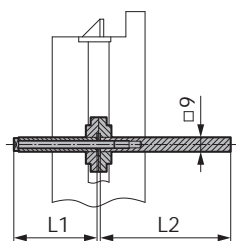
WSS square spindle, offset on one side

Part#	Square	Dim. L1	Dim. L2	Material/finish
02.836.2090.010	9/8	60	30	St galvanized
02.836.2160.010	9/8	115	40	St galvanized
02.836.4090.010	10/8	60	30	St galvanized
02.836.4160.010	10/8	115	40	St galvanized



WSS square spindle, notched

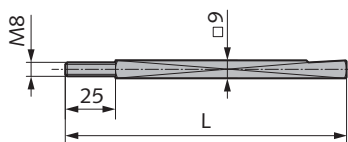
Part#	Square	Material/finish
02.824.1070.010	8	St galvanized



WSS panic square pin, split



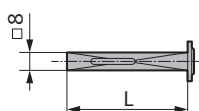
Part#	Square	Dim. L1	Dim. L2	Classification	Material/finish
02.853.4545.010	9	45	45	—	St galvanized
02.853.5555.010	9	55	55	—	St galvanized
02.853.6565.010	9	65	65	—	St galvanized
02.854.2135.010	9	52	81,5	FS	St galvanized
02.854.2155.010	9	52	98	FS	St galvanized
K0057609	9	81,5	37	—	St galvanized



WSS exchangeable spindle with M8 thread

- single-sided for use in a door knob

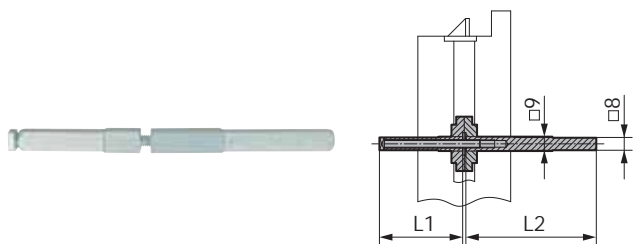
Part#	Square	Length	Material/finish
02.842.1090.010	8	90	St galvanized
02.842.1110.010	8	110	St galvanized
02.842.1120.010	8	120	St galvanized
02.842.1130.010	8	130	St galvanized
02.842.1140.010	8	140	St galvanized
02.842.2110.010	9	110	St galvanized
02.842.2120.010	9	120	St galvanized
02.842.2130.010	9	130	St galvanized
02.842.2140.010	9	140	St galvanized



WSS split spindle with head panel

- for doors drilled on both sides

Part#	Square	Length	Material/finish
02.846.1060.010	8	60	St galvanized
02.846.1074.010	8	74	St galvanized
02.846.1080.010	8	80	St galvanized
02.846.1100.010	8	100	St galvanized
02.846.2060.010	9	60	St galvanized



WSS panic square pin, split, offset

- offset from 9 to 8 mm on both sides
- for doors with an asymmetrical lock insert

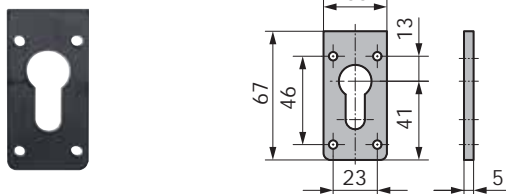
Part#	Square	Dim. L1	Dim. L2	Material/finish
02.856.2135.010	9	50	75	St galvanized



WSS alignment sleeve

- for door handle square pins

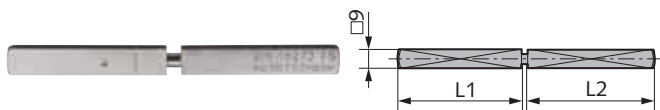
Part#	Dim. L1	Dim. L2	Material/finish
02.870.0089.010	8	9	St galvanized
02.870.0810.010	8	10	St galvanized
02.870.0910.010	9	10	St galvanized



WSS base plate for rain protection escutcheon

- to match WSS rain protection escutcheon 02.384.0270.---

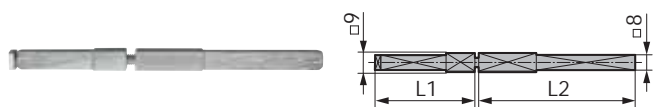
Part#	Height	Material/finish
02.386.0220.565	2	Plastic black
02.386.0220.570	2	Plastic grey
02.386.0250.565	5	Plastic black
02.386.0250.570	5	Plastic grey



WSS panic square pin, central split

- 9 mm square

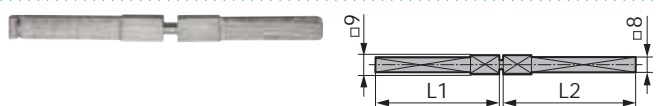
Part#	Door thickness	Dim. L1	Dim. L2	Material/finish
02.852.2105.010	45-58	52	53,5	St galvanized
02.852.2120.010	59-72	59	60,5	St galvanized
02.852.2135.010	73-86	66	67,5	St galvanized



WSS panic square pin, split, offset

- offset from 8 to 9 mm

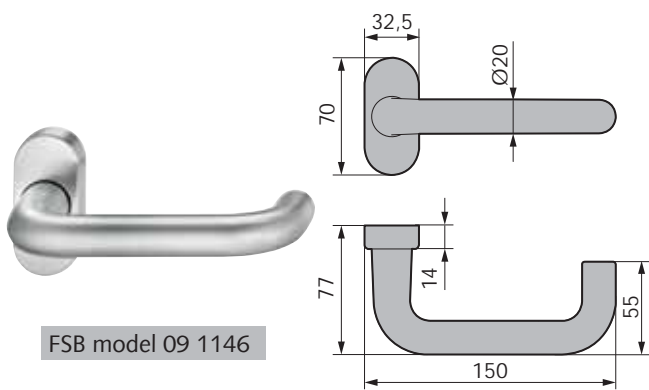
Part#	Dim. L1	Dim. L2	Material/finish
K0048527	49 ⁺¹	81,5 ⁺¹	St galvanized



WSS panic square pin, central split, offset

- offset from 8 to 9 mm

Part#	Dim. L1	Dim. L2	Material/finish
K0100362	50	50	St galvanized

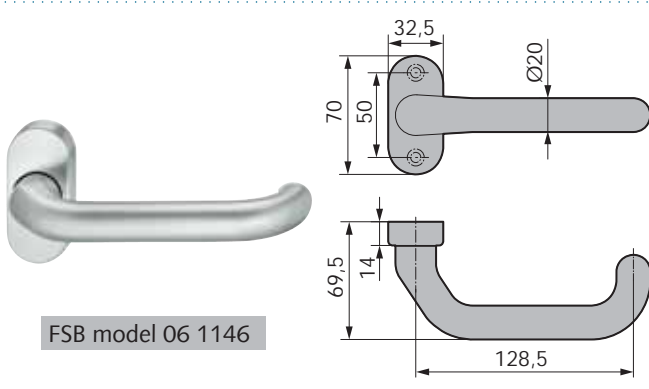


FSB door handle U-shape

- with 8 or 9 mm square hole
- fixed backplate



Part#	Square	Return- ing m.	Classifi- cation	Material/finish
02.204.1100.113	8	✓	—	Al E5/C-0 silver anod.
02.204.1100.426	8	✓	—	304 matt brushed
02.204.2100.113	9	✓	179/FS	Al E5/C-0 silver anod.
02.204.2100.426	9	✓	179/FS	304 matt brushed
02.204.2101.113	9	—	179/FS	Al E5/C-0 silver anod.
02.204.2101.426	9	—	179/FS	304 matt brushed

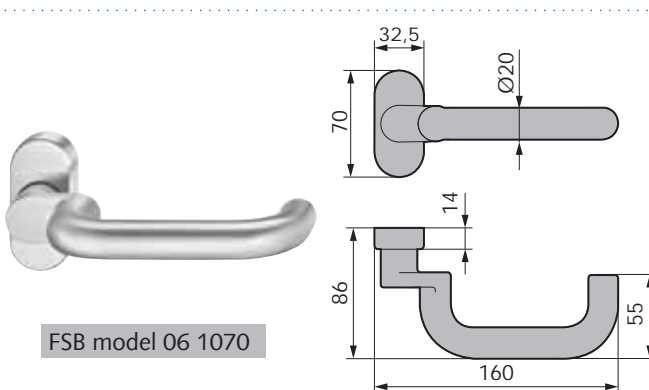


FSB door handle U-shape, offset

- with 8 or 9 mm square hole
- fixed backplate



Part#	Square	Return- ing m.	Classifi- cation	Material/finish
02.180.1100.113	8	✓	—	Al E5/C-0 silver anod.
02.180.1100.426	8	✓	—	304 matt brushed
02.180.2100.113	9	✓	179/FS	Al E5/C-0 silver anod.
02.180.2100.426	9	✓	179/FS	304 matt brushed
02.180.2101.113	9	—	179/FS	Al E5/C-0 silver anod.
02.180.2101.426	9	—	179/FS	304 matt brushed



FSB door handle, offset

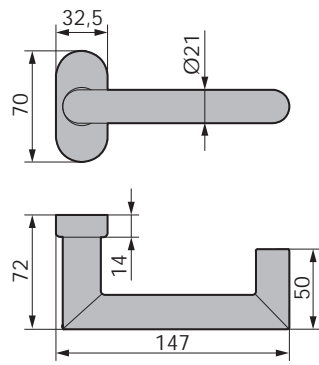
- with 8 or 9 mm square hole
- fixed backplate



Part#	Square	Return- ing m.	Classifi- cation	Material/finish
02.188.1100.113	8	✓	—	Al E5/C-0 silver anod.
02.188.1100.426	8	✓	—	304 matt brushed
02.188.2100.113	9	✓	179/FS	Al E5/C-0 silver anod.
02.188.2100.426	9	✓	179/FS	304 matt brushed
02.188.2101.113	9	—	179/FS	Al E5/C-0 silver anod.
02.188.2101.426	9	—	179/FS	304 matt brushed



FSB model 09 1016



FSB door handle U-shape, cranked

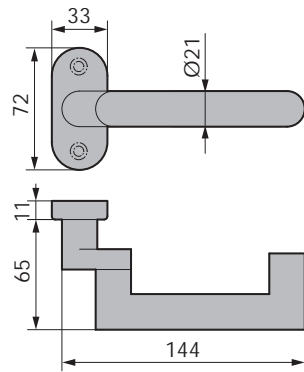
- with 8 or 9 mm square hole
- fixed backplate



Part#	Square	Return- ing m.	Classifi- cation	Material/finish
02.167.1100.113	8	√	—	Al E5/C-0 silver anod.
02.167.1100.426	8	√	—	304 matt brushed
02.167.2100.113	9	√	179/FS	Al E5/C-0 silver anod.
02.167.2100.426	9	√	179/FS	304 matt brushed
02.167.2101.113	9	—	179/FS	Al E5/C-0 silver anod.
02.167.2101.426	9	—	179/FS	304 matt brushed



FSB model 06 1016



FSB door handle U-shape, mitred, cranked

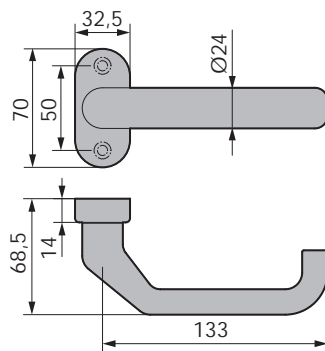
- with 8 or 9 mm square hole
- fixed backplate



Part#	Square	Return- ing m.	Classifi- cation	Material/finish
02.174.1100.113	8	√	—	Al E5/C-0 silver anod.
02.174.1100.426	8	√	—	304 matt brushed
02.174.2100.113	9	√	179/FS	Al E5/C-0 silver anod.
02.174.2100.426	9	√	179/FS	304 matt brushed
02.174.2101.113	9	—	179/FS	Al E5/C-0 silver anod.
02.174.2101.426	9	—	179/FS	304 matt brushed



FSB model 06 0662

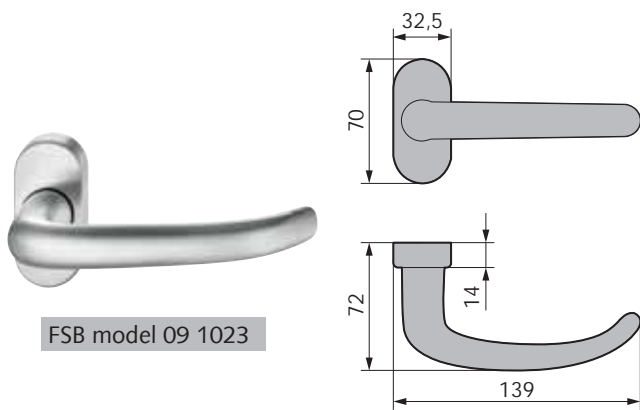


FSB door handle U-shape, mitred, offset

- with 8 or 9 mm square hole
- fixed backplate



Part#	Square	Return- ing m.	Classifi- cation	Material/finish
02.186.1100.113	8	√	—	Al E5/C-0 silver anod.
02.186.1100.426	8	√	—	304 matt brushed
02.186.2100.113	9	√	179/FS	Al E5/C-0 silver anod.
02.186.2100.426	9	√	179/FS	304 matt brushed
02.186.2101.113	9	—	179/FS	Al E5/C-0 silver anod.
02.186.2101.426	9	—	179/FS	304 matt brushed



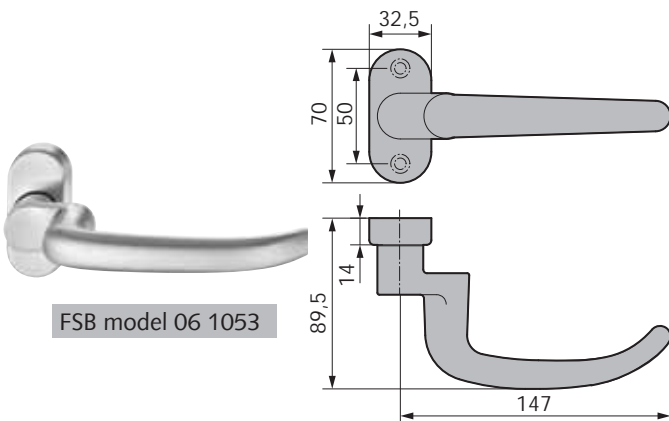
FSB model 09 1023

FSB door handle sabre shape

- with 8 or 9 mm square hole
- fixed backplate



Part#	Square	Return- ing m.	Classifi- cation	Material/finish
02.169.1100.113	8	√	—	Al E5/C-0 silver anod.
02.169.1100.426	8	√	—	304 matt brushed
02.169.2100.113	9	√	179/FS	Al E5/C-0 silver anod.
02.169.2100.426	9	√	179/FS	304 matt brushed
02.169.2101.113	9	—	179/FS	Al E5/C-0 silver anod.
02.169.2101.426	9	—	179/FS	304 matt brushed



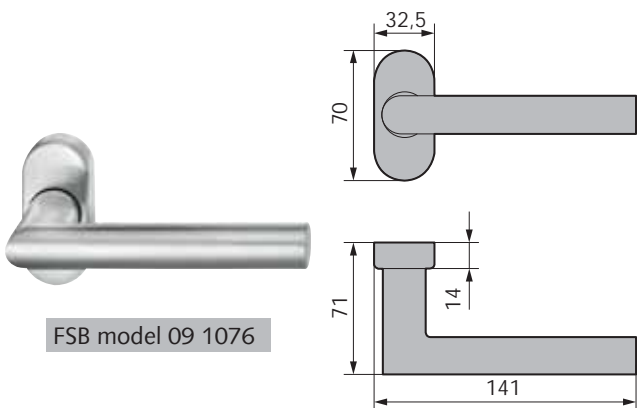
FSB model 06 1053

FSB door handle sabre shape, cranked

- with 8 or 9 mm square hole
- fixed backplate



Part#	Square	Return- ing m.	Classifi- cation	Material/finish
02.182.1100.113	8	√	—	Al E5/C-0 silver anod.
02.182.1100.426	8	√	—	304 matt brushed
02.182.2100.113	9	√	179/FS	Al E5/C-0 silver anod.
02.182.2100.426	9	√	179/FS	304 matt brushed
02.182.2101.113	9	—	179/FS	Al E5/C-0 silver anod.
02.182.2101.426	9	—	179/FS	304 matt brushed



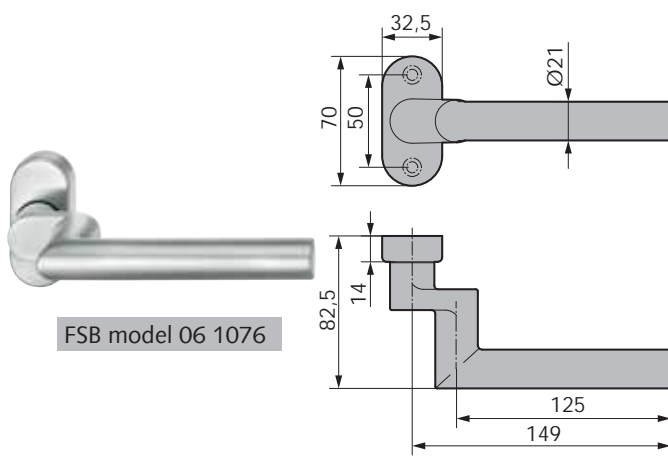
FSB model 09 1076

FSB door handle L-shape, mitred

- with 8 or 9 mm square hole
- fixed backplate



Part#	Square	Return- ing m.	Classifi- cation	Material/finish
02.212.1100.113	8	√	—	Al E5/C-0 silver anod.
02.212.1100.426	8	√	—	304 matt brushed
02.212.2100.113	9	√	FS	Al E5/C-0 silver anod.
02.212.2100.426	9	√	FS	304 matt brushed
02.212.2101.113	9	—	FS	Al E5/C-0 silver anod.
02.212.2101.426	9	—	FS	304 matt brushed



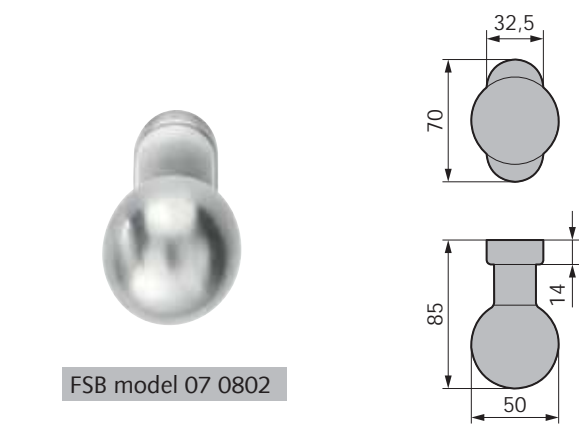
FSB model 06 1076

FSB door handle, L-shape, cranked

- with 8 or 9 mm square hole
- fixed backplate



Part#	Square	Return- ing m.	Classifi- cation	Material/finish
02.184.1100.113	8	√	—	Al E5/C-0 silver anod.
02.184.1100.426	8	√	—	304 matt brushed
02.184.2100.113	9	√	FS	Al E5/C-0 silver anod.
02.184.2100.426	9	√	FS	304 matt brushed
02.184.2101.113	9	—	FS	Al E5/C-0 silver anod.
02.184.2101.426	9	—	FS	304 matt brushed



FSB model 07 0802

FSB ball shape door knob

- M12 thread with fixed mounted knobs
- with 8 or 9 mm square hole

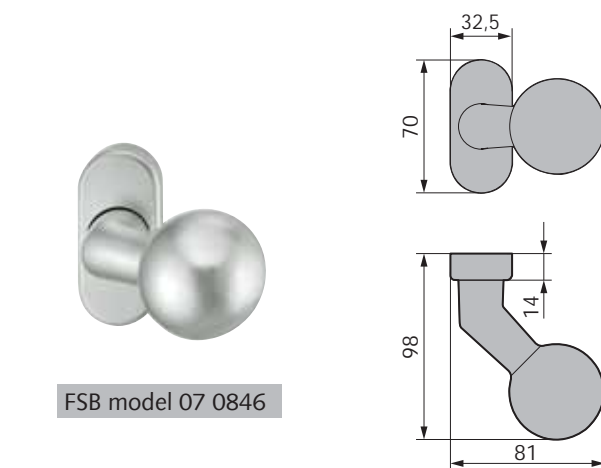


fixed mounted

Part#	Square	Classification	Material/finish
02.280.0100.113	—	—	Al E5/C-0 silver anod.
02.280.0101.113	—	FS	Al E5/C-0 silver anod.
02.280.0101.426	—	FS	304 matt brushed

fixed backplate

Part#	Square	Classification	Material/finish
02.280.1100.113	8	—	Al E5/C-0 silver anod.
02.280.1100.426	8	—	304 matt brushed
02.280.2100.113	9	FS	Al E5/C-0 silver anod.
02.280.2100.426	9	FS	304 matt brushed



FSB model 07 0846

FSB ball shape door knob, offset

- M12 thread with fixed mounted knobs
- with 8 or 9 mm square hole



fixed mounted

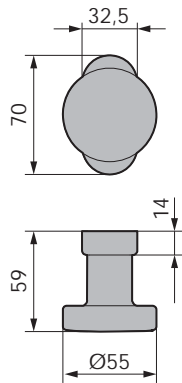
Part#	Square	Classification	Material/finish
02.282.0102.113	—	—	Al E5/C-0 silver anod.
02.282.0103.113	—	FS	Al E5/C-0 silver anod.
02.282.0103.426	—	FS	304 matt brushed

fixed backplate

Part#	Square	Classification	Material/finish
02.282.1101.113	8	—	Al E5/C-0 silver anod.
02.282.1101.426	8	—	304 matt brushed
02.282.2101.113	9	FS	Al E5/C-0 silver anod.
02.282.2101.426	9	FS	304 matt brushed



FSB model 07 0829



FSB flat door knob

- M12 thread with fixed mounted knobs
- with 8 or 9 mm square hole



fixed mounted

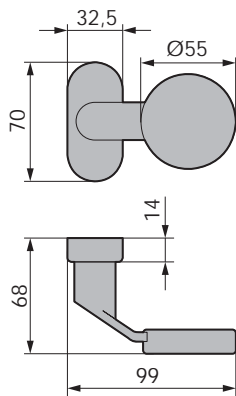
Part#	Square	Classification	Material/finish
02.284.0100.113	—	—	Al E5/C-0 silver anod.
02.284.0101.113	—	FS	Al E5/C-0 silver anod.
02.284.0101.426	—	FS	304 matt brushed

fixed backplate

Part#	Square	Classification	Material/finish
02.284.1100.113	8	—	Al E5/C-0 silver anod.
02.284.1100.426	8	—	304 matt brushed
02.284.2100.113	9	FS	Al E5/C-0 silver anod.
02.284.2100.426	9	FS	304 matt brushed



FSB model 07 0854



FSB flat door knob, offset

- M12 thread with fixed mounted knobs
- with 8 or 9 mm square hole
- flat collar

fixed mounted

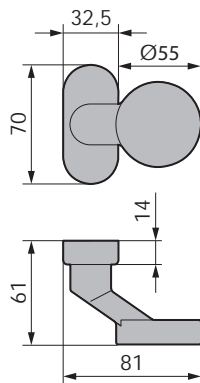
Part#	Square	Material/finish
02.286.0102.426	—	304 matt brushed

fixed backplate

Part#	Square	Material/finish
02.286.1101.426	8	304 matt brushed



FSB model 07 0809



FSB flat door knob, offset

- M12 thread with fixed mounted knobs
- with 8 or 9 mm square hole
- round collar



fixed mounted

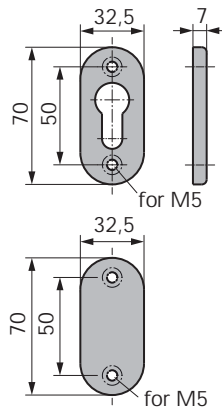
Part#	Square	Classification	Material/finish
02.287.0101.113	—	FS	Al E5/C-0 silver anod.
02.287.1101.113	8	—	Al E5/C-0 silver anod.

fixed backplate

Part#	Square	Classification	Material/finish
02.287.0102.113	—	—	Al E5/C-0 silver anod.
02.287.2100.113	9	FS	Al E5/C-0 silver anod.
02.287.2100.426	9	FS	304 matt brushed



FSB model 17 1757



FSB escutcheon

PC escutcheon

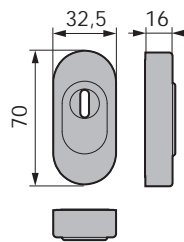
Part#	Height	Material/finish
02.350.0170.113	7	Al E5/C-0 silver anod.
02.350.0170.426	7	304 matt brushed

blank escutcheon

Part#	Height	Material/finish
02.350.0171.113	7	Al E5/C-0 silver anod.
02.350.0171.426	7	304 matt brushed



FSB model 73 3249



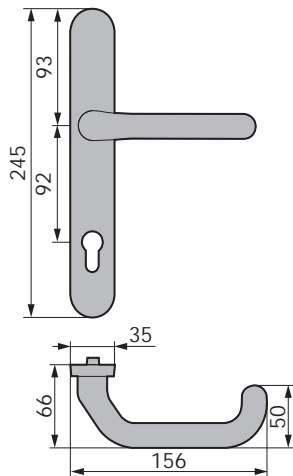
FSB protective escutcheon

- to match cylinder protrusions of 10-17 mm
- screw hole 3,2 mm Ø

Part#	Height	Material/finish
50031102	16	Al E5/C-0 silver anod.
50017568	16	304 matt brushed



FSB model 06 7816



FSB door handle fitting on backplate

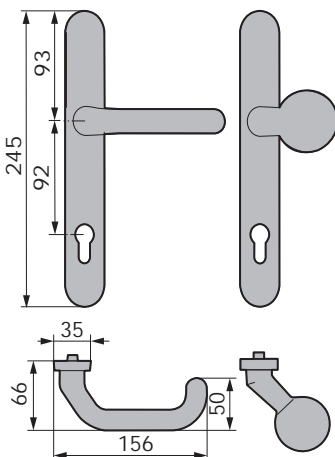
- outer plate 10 mm, inner plate 7 mm
- with returning mechanism



Part#	Square	Classification	Material/finish
02.250.8616.113	8	—	Al E5/C-0 silver anod.
02.250.8616.426	8	—	304 matt brushed
02.250.9616.113	9	FS	Al E5/C-0 silver anod.
02.250.9616.426	9	FS	304 matt brushed



FSB model 06 7816



FSB handle set on backplate

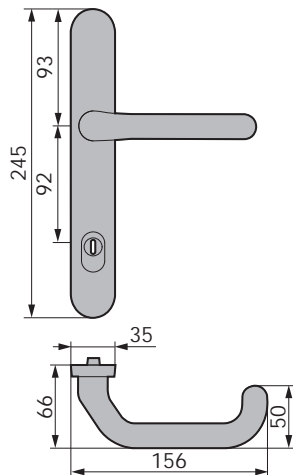
- outer plate 10 mm, inner plate 7 mm
- with returning mechanism



Part#	Square	Classification	Material/finish
02.251.8616.113	8	—	Al E5/C-0 silver anod.
02.251.8616.426	8	—	304 matt brushed
02.251.9616.113	9	FS	Al E5/C-0 silver anod.
02.251.9616.426	9	FS	304 matt brushed



FSB model 73 7331



FSB door handle fitting with cylinder protection

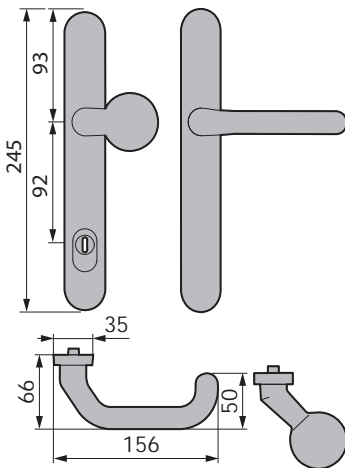


- outer plate 14 mm, inner plate 7 mm
- with returning mechanism
- cylinder protrudes 8-13 mm
- DIN 18257 ES1 / DIN EN1906 S2

Part#	Square	Classification	Material/finish
02.250.8686.113	8	—	Al E5/C-0 silver anod.
02.250.8686.426	8	—	304 matt brushed
02.250.9686.113	9	FS	Al E5/C-0 silver anod.
02.250.9686.426	9	FS	304 matt brushed



FSB model 73 7331



FSB handle set with cylinder protection



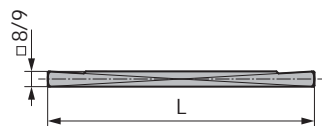
- outer plate 14 mm, inner plate 7 mm
- with returning mechanism
- cylinder protrudes 8-13 mm
- DIN 18257 ES1 / DIN EN1906 S6

Part#	Square	Classification	Material/finish
02.251.8686.113	8	—	Al E5/C-0 silver anod.
02.251.8686.426	8	—	304 matt brushed
02.251.9686.113	9	FS	Al E5/C-0 silver anod.
02.251.9686.426	9	FS	304 matt brushed



FSB model 05 0172 - 8 mm

FSB model 05 0173 - 9 mm

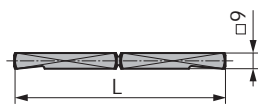


FSB full pin

Part#	Square	Length	Material/finish
02.900.8060.010	8	60	St galvanized
02.900.8070.010	8	70	St galvanized
02.900.8080.010	8	80	St galvanized
02.900.8090.010	8	90	St galvanized
02.900.8100.010	8	100	St galvanized
02.900.8110.010	8	110	St galvanized
02.900.8120.010	8	120	St galvanized
02.900.8130.010	8	130	St galvanized
02.900.8140.010	8	140	St galvanized
02.900.8150.010	8	150	St galvanized
02.900.8160.010	8	160	St galvanized
02.900.9060.010	9	60	St galvanized
02.900.9070.010	9	70	St galvanized
02.900.9080.010	9	80	St galvanized
02.900.9090.010	9	90	St galvanized
02.900.9100.010	9	100	St galvanized
02.900.9110.010	9	110	St galvanized
02.900.9120.010	9	120	St galvanized
02.900.9130.010	9	130	St galvanized
02.900.9140.010	9	140	St galvanized
02.900.9150.010	9	150	St galvanized
02.900.9160.010	9	160	St galvanized



FSB model 05 0125

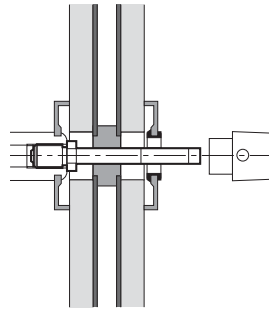


FSB special pin, central split

Part#	Square	Length	Material/finish
02.901.9105.010	9	105	St galvanized
02.901.9112.010	9	112	St galvanized
02.901.9119.010	9	119	St galvanized
02.901.9126.010	9	126	St galvanized
02.901.9133.010	9	133	St galvanized
02.901.9140.010	9	140	St galvanized
02.901.9147.010	9	147	St galvanized
02.901.9154.010	9	154	St galvanized



FSB model 05 0177



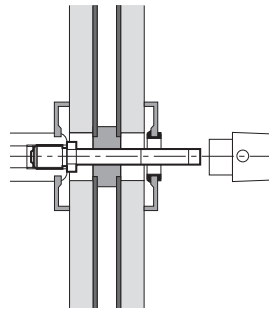
FSB exchangeable spindle

■ M12 thread

Part#	Square	Door thickness	Length	Material/finish
02.902.8084.010	8	36-45	84	St galvanized
02.902.8095.010	8	46-55	95	St galvanized
02.902.8105.010	8	56-65	105	St galvanized
02.902.8115.010	8	66-75	115	St galvanized
02.902.8125.010	8	76-85	125	St galvanized
02.902.8135.010	8	86-95	134	St galvanized
02.902.8145.010	8	96-105	145	St galvanized



FSB model 05 0177



FSB exchangeable spindle (FS)

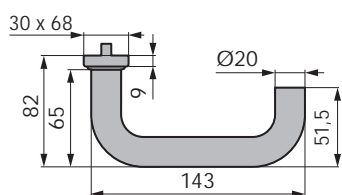
■ M12 thread



Part#	Square	Door thickness	Length	Material/finish
02.902.9085.010	9	35-39	85	St galvanized
02.902.9090.010	9	40-44	90	St galvanized
02.902.9095.010	9	45-49	95	St galvanized
02.902.9100.010	9	50-54	100	St galvanized
02.902.9105.010	9	55-59	105	St galvanized
02.902.9110.010	9	60-64	110	St galvanized
02.902.9115.010	9	65-69	115	St galvanized
02.902.9120.010	9	70-74	120	St galvanized
02.902.9125.010	9	75-79	125	St galvanized
02.902.9130.010	9	80-84	130	St galvanized
02.902.9135.010	9	85-89	135	St galvanized



OGRO PR 8100



OGRO door handle U-shape

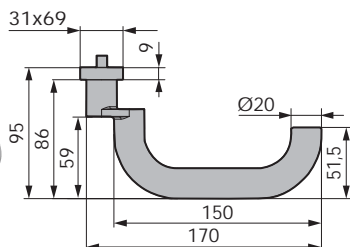
- with 8 or 9 mm square hole
- fixed backplate



Part#	Square	Return- ing m.	Classi- fication	Material/finish
02.128.1110.112	8	√	—	Al E4/C-0 silver anod.
02.128.1110.255	8	√	—	Al RAL 9016 powder coat
02.128.1110.426	8	√	—	304 matt brushed
02.128.1101.112	9	—	179/FS	Al E4/C-0 silver anod.
02.128.1101.255	9	—	179/FS	Al RAL 9016 powder coat
02.128.1101.426	9	—	179/FS	304 matt brushed
02.128.2110.112	9	√	179/FS	Al E4/C-0 silver anod.
02.128.2110.255	9	√	179/FS	Al RAL 9016 powder coat
02.128.2110.426	9	√	179/FS	304 matt brushed



OGRO PR 8100 A

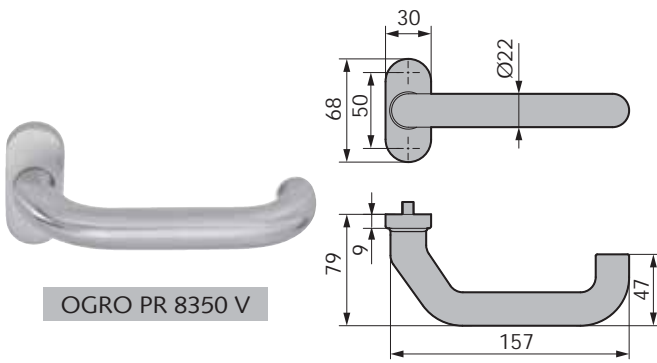


OGRO door handle, offset

- with 8 or 9 mm square hole
- fixed backplate



Part#	Square	Return- ing m.	Classi- fication	Material/finish
02.124.1110.112	8	√	—	Al E4/C-0 silver anod.
02.124.1110.255	8	√	—	Al RAL 9016 powder coat
02.124.1110.426	8	√	—	304 matt brushed
02.124.1101.112	9	—	179/FS	Al E4/C-0 silver anod.
02.124.1101.255	9	—	179/FS	Al RAL 9016 powder coat
02.124.1101.426	9	—	179/FS	304 matt brushed
02.124.2110.112	9	√	179/FS	Al E4/C-0 silver anod.
02.124.2110.255	9	√	179/FS	Al RAL 9016 powder coat
02.124.2110.426	9	√	179/FS	304 matt brushed



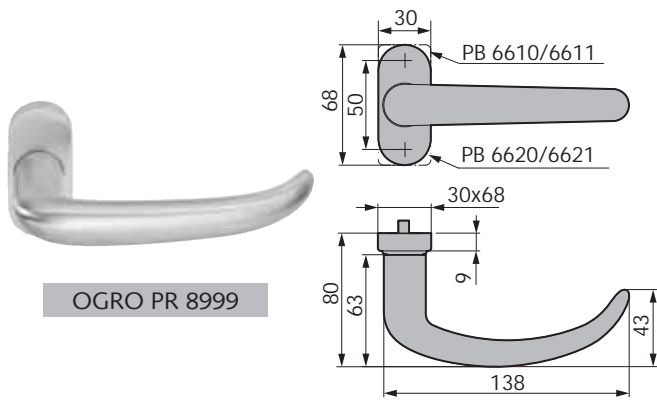
OGRO PR 8350 V

OGRO door handle U-shape, offset

- with 8 or 9 mm square hole
- fixed backplate



Part#	Square	Return- ing m.	Classi- fication	Material/finish
02.122.1110.112	8	✓	—	Al E4/C-0 silver anod.
02.122.1110.255	8	✓	—	Al RAL 9016 powder coat
02.122.1110.426	8	✓	—	304 matt brushed
02.122.1101.112	9	—	179/FS	Al E4/C-0 silver anod.
02.122.1101.255	9	—	179/FS	Al RAL 9016 powder coat
02.122.1101.426	9	—	179/FS	304 matt brushed
02.122.2110.112	9	✓	179/FS	Al E4/C-0 silver anod.
02.122.2110.255	9	✓	179/FS	Al RAL 9016 powder coat
02.122.2110.426	9	✓	179/FS	304 matt brushed



OGRO PR 8999

OGRO door handle sabre shape

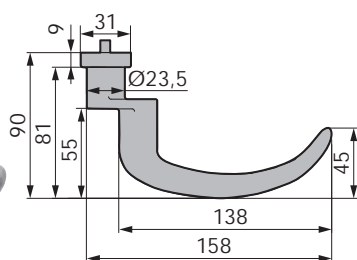
- with 8 or 9 mm square hole
- fixed backplate



Part#	Square	Return- ing m.	Classi- fication	Material/finish
02.310.8100.112	8	✓	—	Al E4/C-0 silver anod.
02.310.8100.255	8	✓	—	Al RAL 9016 powder coat
02.310.8100.426	8	✓	—	304 matt brushed
02.310.9100.112	9	✓	179/FS	Al E4/C-0 silver anod.
02.310.9100.255	9	✓	179/FS	Al RAL 9016 powder coat
02.310.9100.426	9	✓	179/FS	304 matt brushed
02.310.9107.112	9	—	179/FS	Al E4/C-0 silver anod.
02.310.9107.255	9	—	179/FS	Al RAL 9016 powder coat
02.310.9107.426	9	—	179/FS	304 matt brushed



OGRO PR 8999 A



OGRO door handle sabre shape, cranked

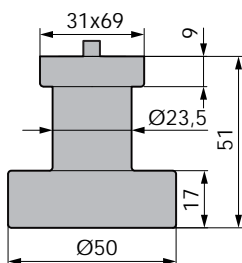
- with 8 or 9 mm square hole
- fixed backplate



Part#	Square	Returning m.	Classification	Material/finish
02.311.8100.112	8	√	—	Al E4/C-0 silver anod.
02.311.8100.255	8	√	—	Al RAL 9016 powder coat
02.311.8100.426	8	√	—	304 matt brushed
02.311.9100.112	9	√	179/FS	Al E4/C-0 silver anod.
02.311.9100.255	9	√	179/FS	Al RAL 9016 powder coat
02.311.9100.426	9	√	179/FS	304 matt brushed
02.311.9107.112	9	—	179/FS	Al E4/C-0 silver anod.
02.311.9107.255	9	—	179/FS	Al RAL 9016 powder coat
02.311.9107.426	9	—	179/FS	304 matt brushed



OGRO PR 3020-0



OGRO flat door knob

- with 8 or 9 mm square hole
- M6 thread with fixed mounted knobs

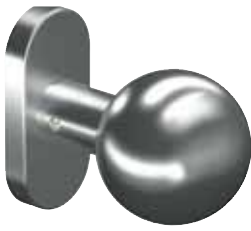


fixed mounted

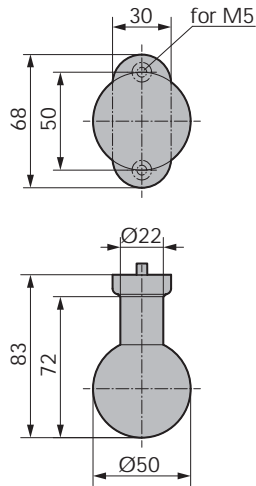
Part#	Square	Classification	Material/finish
02.262.0110.112	—	—	Al E4/C-0 silver anod.
02.262.0110.426	—	—	304 matt brushed
02.262.0111.112	—	FS	Al E4/C-0 silver anod.
02.262.0111.426	—	FS	304 matt brushed

fixed backplate

Part#	Square	Classification	Material/finish
02.262.1110.112	8	—	Al E4/C-0 silver anod.
02.262.1110.426	8	—	304 matt brushed
02.262.2110.112	9	FS	Al E4/C-0 silver anod.
02.262.2110.426	9	FS	304 matt brushed



OGRO PR 3548-0



OGRO ball shape door knob

- with 8 or 9 mm square hole
- M6 thread with fixed mounted knobs

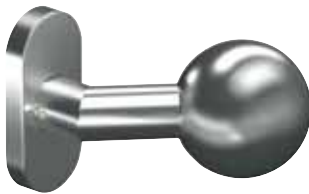


fixed mounted

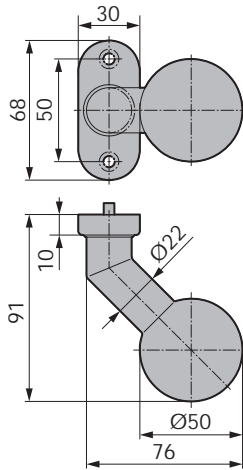
Part#	Square	Classification	Material/finish
02.260.0110.112	—	—	Al E4/C-0 silver anod.
02.260.0111.112	—	FS	Al E4/C-0 silver anod.
02.260.0111.426	—	FS	304 matt brushed
02.260.0110.426	—	FS	304 matt brushed

fixed backplate

Part#	Square	Classification	Material/finish
02.260.1110.112	8	—	Al E4/C-0 silver anod.
02.260.1110.426	8	—	304 matt brushed
02.260.2110.112	9	FS	Al E4/C-0 silver anod.
02.260.2110.426	9	FS	304 matt brushed



OGRO PR 3548 V-0



OGRO ball shape door knob, offset

- with 8 or 9 mm square hole
- M6 thread with fixed mounted knobs



fixed mounted

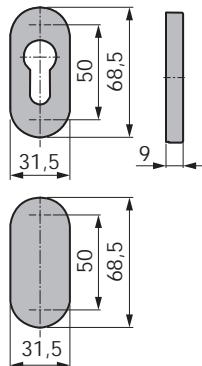
Part#	Square	Classification	Material/finish
02.257.0110.112	—	—	Al E4/C-0 silver anod.
02.257.0111.112	—	FS	Al E4/C-0 silver anod.
02.257.0110.426	8	FS	304 matt brushed

fixed backplate

Part#	Square	Classification	Material/finish
02.257.1110.112	8	—	Al E4/C-0 silver anod.
02.257.1110.426	—	—	304 matt brushed
02.257.2111.112	9	FS	Al E4/C-0 silver anod.
02.257.2111.426	9	FS	304 matt brushed



OGRO PR 6679



OGRO escutcheon

PC escutcheon

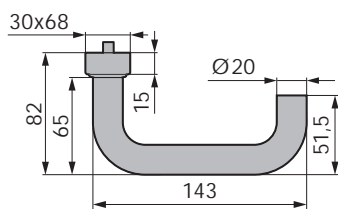
Part#	Material/finish
02.330.0110.255	Al RAL 9016 powder coat
02.330.0111.112	Al E4/C-0 silver anod.
02.330.0111.426	304 matt brushed

blank escutcheon

Part#	Material/finish
02.332.0113.112	Al E4/C-0 silver anod.
02.332.0113.255	Al RAL 9016 powder coat
02.332.0113.426	304 matt brushed



CORE 8100/6621



OGRO door handle U-shape

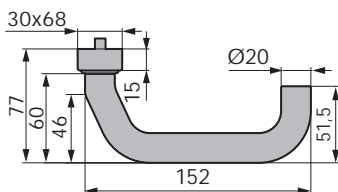
- with 8 or 9 mm square hole
- fixed backplate



Part#	Square	Return- ing m.	Classifi- cation	Material/finish
02.341.8100.112	8	√	—	Al E4/C-0 silver anod.
02.341.8100.426	8	√	—	304 matt brushed
02.341.9100.112	9	√	179/FS	Al E4/C-0 silver anod.
02.341.9100.426	9	√	179/FS	304 matt brushed
02.341.9107.112	9	—	179/FS	Al E4/C-0 silver anod.
02.341.9107.426	9	—	179/FS	304 matt brushed



CORE 8100 V/6621



OGRO door handle U-shape, offset

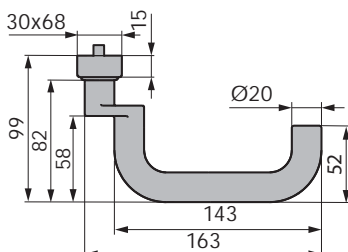
- with 8 or 9 mm square hole
- fixed backplate



Part#	Square	Return- ing m.	Classifi- cation	Material/finish
50003700	8	√	—	Al E4/C-0 silver anod.
50003701	9	√	179/FS	Al E4/C-0 silver anod.
50003702	8	√	—	304 matt brushed
50003703	9	√	179/FS	304 matt brushed
02.343.9107.112	9	—	179/FS	Al E4/C-0 silver anod.
02.343.9107.426	9	—	179/FS	304 matt brushed



CORE 8100 A/6621



OGRO door handle, offset

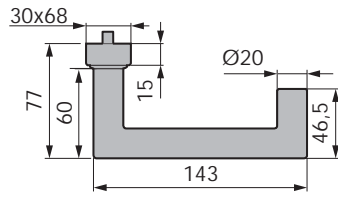
- with 8 or 9 mm square hole
- fixed backplate



Part#	Square	Return- ing m.	Classifi- cation	Material/finish
02.344.8100.112	8	√	—	Al E4/C-0 silver anod.
02.344.8100.426	8	√	—	304 matt brushed
02.344.9100.112	9	√	179/FS	Al E4/C-0 silver anod.
02.344.9100.426	9	√	179/FS	304 matt brushed
02.344.9107.112	9	—	179/FS	Al E4/C-0 silver anod.
02.344.9107.426	9	—	179/FS	304 matt brushed



CORE 8907/6621



OGRO door handle U-shape, cranked

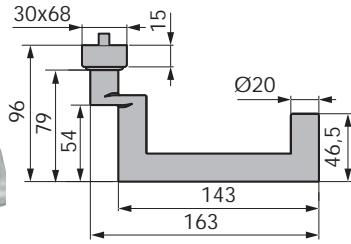
- with 8 or 9 mm square hole
- fixed backplate



Part#	Square	Return- ing m.	Classifi- cation	Material/finish
02.347.8100.112	8	✓	—	Al E4/C-0 silver anod.
02.347.8100.426	8	✓	—	304 matt brushed
02.347.9100.112	9	✓	179/FS	Al E4/C-0 silver anod.
02.347.9100.426	9	✓	179/FS	304 matt brushed
02.347.9107.112	9	—	179/FS	Al E4/C-0 silver anod.
02.347.9107.426	9	—	179/FS	304 matt brushed



CORE 8907 A/6621



OGRO door handle U-shape, mitred, cranked

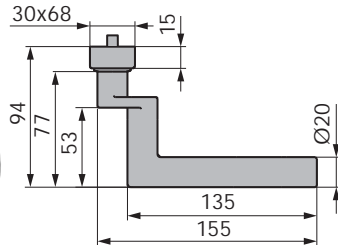
- with 8 or 9 mm square hole
- fixed backplate



Part#	Square	Return- ing m.	Classifi- cation	Material/finish
02.348.8100.112	8	✓	—	Al E4/C-0 silver anod.
02.348.8100.426	8	✓	—	304 matt brushed
02.348.9100.112	9	✓	179/FS	Al E4/C-0 silver anod.
02.348.9100.426	9	✓	179/FS	304 matt brushed
02.348.9107.112	9	—	179/FS	Al E4/C-0 silver anod.
02.348.9107.426	9	—	179/FS	304 matt brushed



CORE 8906 A/6621



OGRO door handle, L-shape, cranked

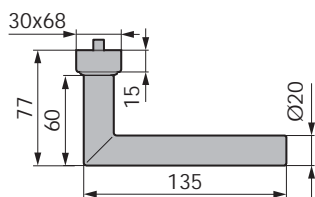
- with 8 or 9 mm square hole
- fixed backplate



Part#	Square	Return- ing m.	Classifi- cation	Material/finish
02.346.8100.112	8	✓	—	Al E4/C-0 silver anod.
02.346.8100.426	8	✓	—	304 matt brushed
02.346.9100.112	9	✓	FS	Al E4/C-0 silver anod.
02.346.9100.426	9	✓	FS	304 matt brushed
02.346.9107.112	9	—	FS	Al E4/C-0 silver anod.
02.346.9107.426	9	—	FS	304 matt brushed



CORE 8906/6621



OGRO door handle L-shape, mitred

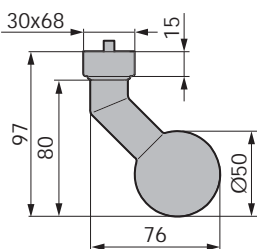
- with 8 or 9 mm square hole
- fixed backplate



Part#	Square	Return- ing m.	Classifi- cation	Material/finish
02.345.8100.112	8	✓	—	Al E4/C-0 silver anod.
02.345.8100.426	8	✓	—	304 matt brushed
02.345.9100.112	9	✓	FS	Al E4/C-0 silver anod.
02.345.9100.426	9	✓	FS	304 matt brushed
02.345.9107.112	9	—	FS	Al E4/C-0 silver anod.
02.345.9107.426	9	—	FS	304 matt brushed



CORE 3548 VO



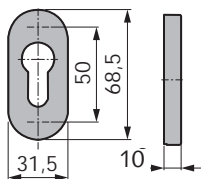
OGRO ball shape door knob, offset

- fixed mounted
- M8 thread

Part#	Material/finish
02.361.0100.112	Al E4/C-0 silver anod.
02.361.0100.426	304 matt brushed



CORE 6679



OGRO escutcheon

Part#	Material/finish
02.363.0110.112	Al E4/C-0 silver anod.
02.363.0110.426	304 matt brushed



CORE 114

OGRO square spindle, double-sided handle

8 mm square

Part#	Door thickness	Classification	Material/finish
02.381.8097.010	38-47	—	St galvanized
02.381.8110.010	48-59	—	St galvanized

9 mm square



Part#	Door thickness	Classification	Material/finish
02.385.9097.010	38-47	FS	St galvanized
02.385.9110.010	48-59	FS	St galvanized



CORE 115

OGRO square spindle, door hardware

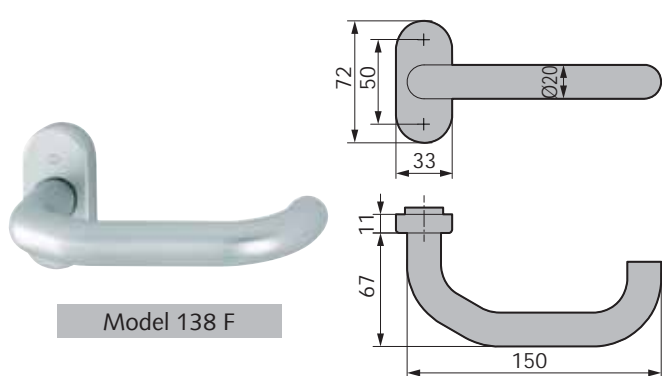
8 mm square

Part#	Door thickness	Classification	Material/finish
02.383.8090.010	38-47	—	St galvanized
02.383.8105.010	48-59	—	St galvanized

9 mm square



Part#	Door thickness	Classification	Material/finish
02.387.9090.010	38-47	FS	St galvanized
02.387.9105.010	48-59	FS	St galvanized



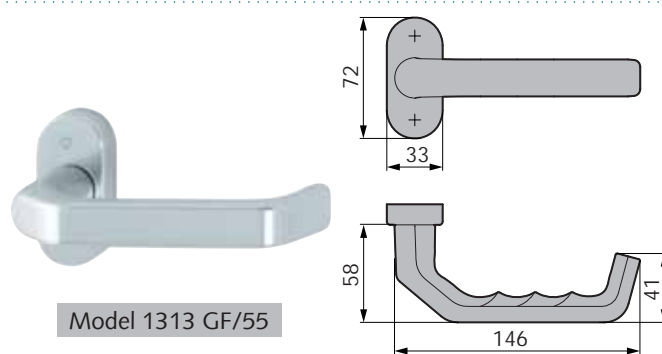
Model 138 F

HOPPE door handle Paris, U-shape, offset

- with 8 or 9 mm square hole
- fixed backplate
- with returning mechanism



Part#	Square	Classification	Material/finish
02.160.1100.112	8	—	Al E4/C-0 silver anod.
02.160.1100.255	8	—	Al RAL 9016 powder coat
02.160.1100.426	8	—	304 matt brushed
02.160.2100.112	9	179/FS	Al E4/C-0 silver anod.
02.160.2100.255	9	179/FS	Al RAL 9016 powder coat
02.160.2100.426	9	179/FS	304 matt brushed



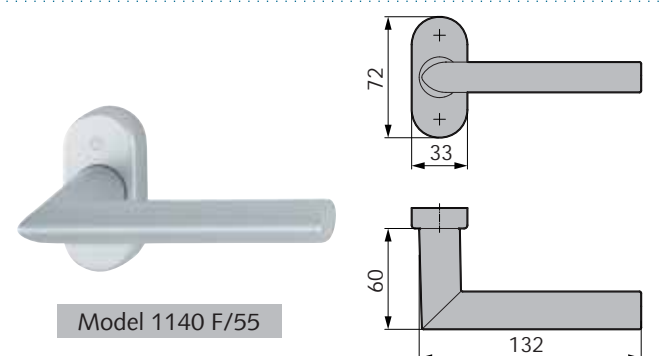
Model 1313 GF/55

HOPPE door handle Liverpool, flat, offset

- with 8 or 9 mm square hole
- fixed backplate
- returning mechanism



Part#	Square	Classification	Material/finish
02.402.8100.112	8	—	Al E4/C-0 silver anod.
02.402.8100.255	8	—	Al RAL 9016 powder coat
02.161.1100.426	8	—	304 matt brushed
02.402.9100.112	9	179/FS	Al E4/C-0 silver anod.
02.402.9100.255	9	179/FS	Al RAL 9016 powder coat
02.161.2100.426	9	179/FS	304 matt brushed



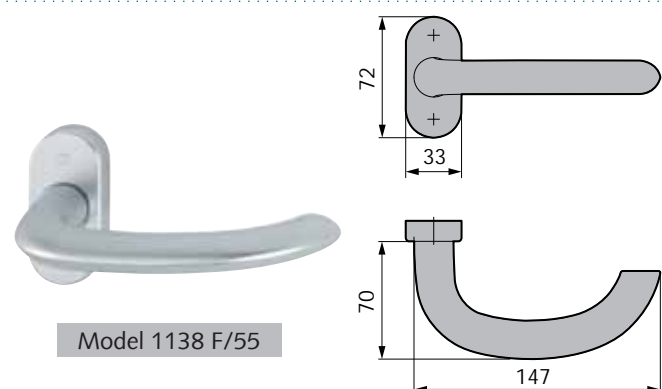
Model 1140 F/55

HOPPE door handle Stockholm, L-shape

- with 8 or 9 mm square hole
- fixed backplate
- with returning mechanism



Part#	Square	Classification	Material/finish
02.403.8100.426	8	—	304 matt brushed
02.403.9100.426	9	FS	304 matt brushed



Model 1138 F/55

HOPPE door handle Marseille, sabre shape

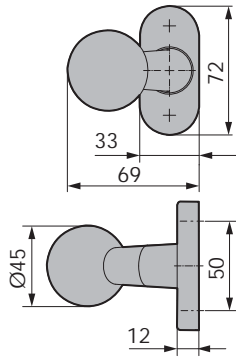
- with 8 or 9 mm square hole
- fixed backplate
- with returning mechanism



Part#	Square	Classification	Material/finish
02.404.8100.112	8	—	Al E4/C-0 silver anod.
02.404.8100.426	8	—	304 matt brushed
02.404.9100.112	9	179/FS	Al E4/C-0 silver anod.
02.404.9100.426	9	179/FS	304 matt brushed



Model E58/G/55



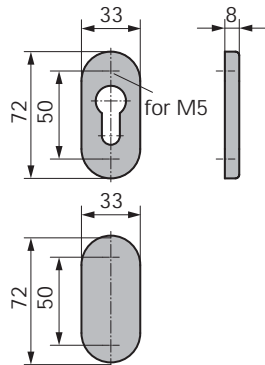
HOPPE ball shape door knob, offset



- complete with fixed swivel pin

Part#	Square	Door thickness	Classification	Material/finish
02.270.0100.426	8	55-65	—	304 matt brushed
02.270.0101.426	9	55-65	FS	304 matt brushed
02.270.0100.112	8	55-65	—	Al E4/C-0 silver anod.
02.270.0101.112	9	55-65	FS	Al E4/C-0 silver anod.

HOPPE escutcheon

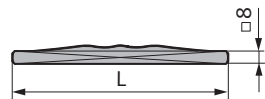


PC escutcheon

Part#	Material/finish
02.340.0180.112	Al E4/C-0 silver anod.
02.340.0180.255	Al RAL 9016 powder coat
02.340.0180.426	304 matt brushed

blank escutcheon

Part#	Material/finish
02.340.0181.112	Al E4/C-0 silver anod.
02.340.0181.255	Al RAL 9016 powder coat
02.340.0181.426	304 matt brushed

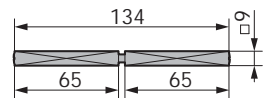


HOPPE square spindle

- made of yellow chromated steel
- with spring to balance tolerances in the handle follower

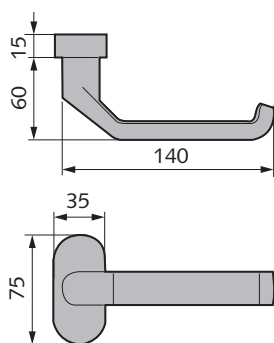
Part#	Square	Length	Material/finish
02.832.1125.012	8	125	St yellow passivated
02.832.1135.012	8	135	St yellow passivated
02.834.2125.012	9	125	St yellow passivated
02.834.2135.012	9	135	St yellow passivated
02.834.2145.012	9	145	St yellow passivated
02.834.2165.012	9	165	St yellow passivated

HOPPE panic square pin, central split



- made of yellow chromated steel
- for doors with centrally positioned lock

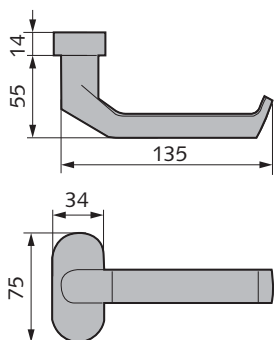
Part#	Square	Door thickness	Length	Classification	Material/finish
02.858.2114.010	9	32-61	114	—	St galvanized
02.858.2134.010	9	62-92	134	FS	St galvanized



WSS door handle Smartline, on oval escutcheon, offset

- with 8 mm square hole
- with returning mechanism

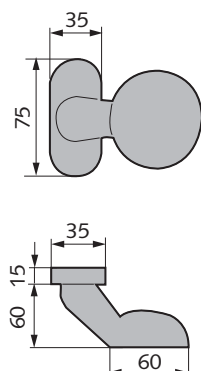
Part#	Square	Material/finish
02.171.1100.112	8	Al E4/C-0 silver anod.
02.171.1100.255	8	Al RAL 9016 powder coat
02.171.1100.426	8	304 matt brushed



WSS door handle Smartline, on oval escutcheon, offset

- with 8 mm square hole
- with returning mechanism

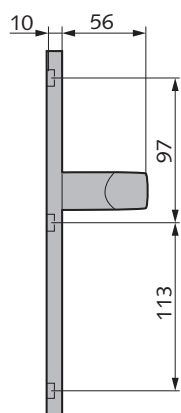
Part#	Square	Material/finish
50018298	8	Al E4/C-0 silver anod.
50018297	8	Al RAL 9016 powder coat



WSS door knob Smartline, on oval escutcheon, offset

- fixed mounted
- no thread

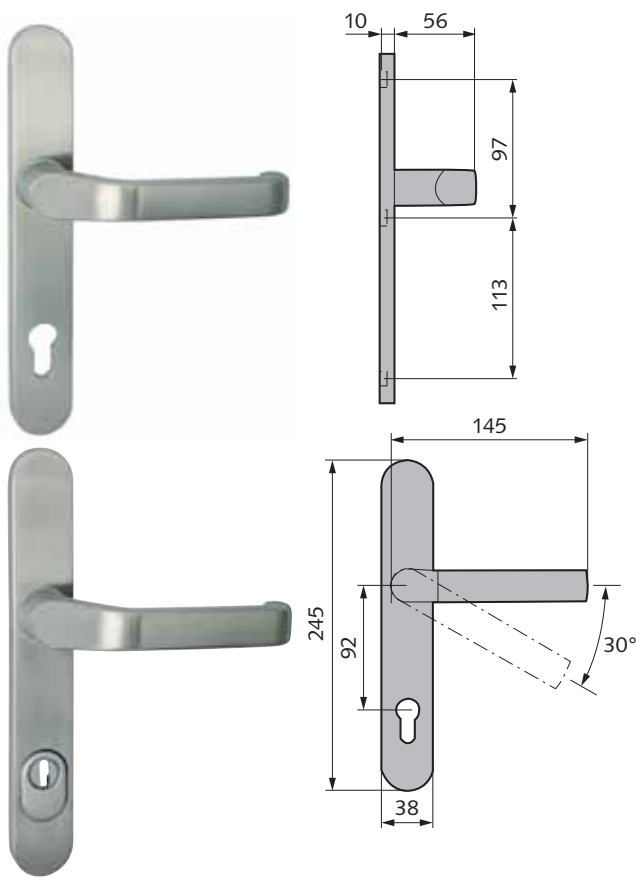
Part#	Material/finish
02.265.0100.112	Al E4/C-0 silver anod.
02.265.0100.255	Al RAL 9016 powder coat
02.265.0100.426	304 matt brushed



WSS door handle Smartline, inner

- with 8 mm square hole
- with returning mechanism
- on backplate without cams, 92 mm PC
- screw fitting with or without expanding cams
- certified to EN 1906, user category 4, 200.000 cycles

Part#	Square	Material/finish
02.171.1301.112	8	Al E4/C-0 silver anod.
02.171.1301.255	8	Al RAL 9016 powder coat
02.171.1301.263	8	Al RAL 8077 powder coat
02.171.1301.426	8	304 matt brushed



WSS door handle Smartline, secure, offset, outer

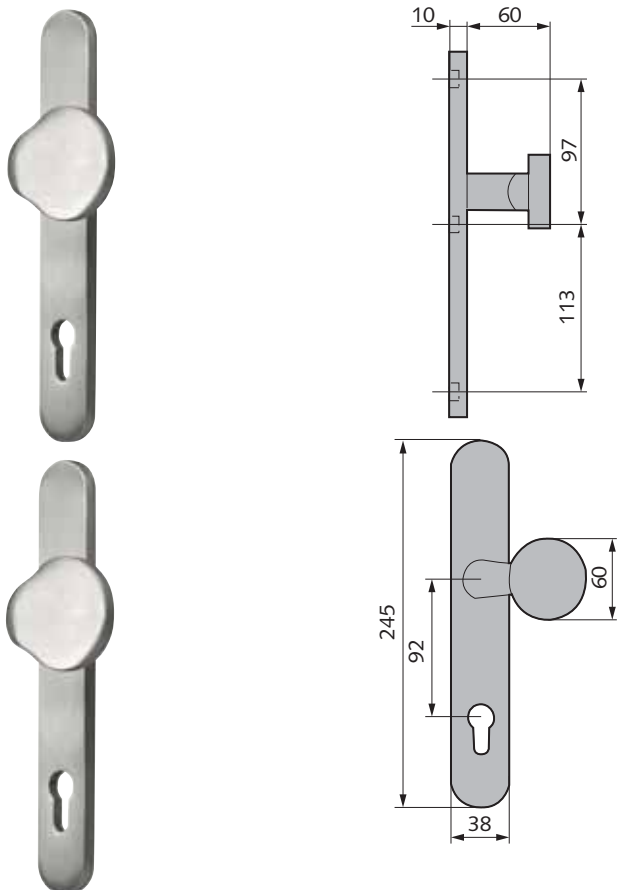
- with 8 mm square hole
- with returning mechanism
- on backplate with cams
- screw fitting with or without expanding cams
- certified to EN 1906, user category 4, 200.000 cycles

with drill protection

Part#	Square	Material/finish
02.171.1302.112	8	Al E4/C-0 silver anod.
02.171.1302.255	8	Al RAL 9016 powder coat
02.171.1302.263	8	Al RAL 8077 powder coat
02.171.1302.426	8	304 matt brushed

with drill protection and cylinder cover

Part#	Square	Material/finish
02.171.1392.112	8	Al E4/C-0 silver anod.
02.171.1392.255	8	Al RAL 9016 powder coat
02.171.1392.263	8	Al RAL 8077 powder coat
02.171.1392.426	8	304 matt brushed



WSS door knob Smartline, offset, outer

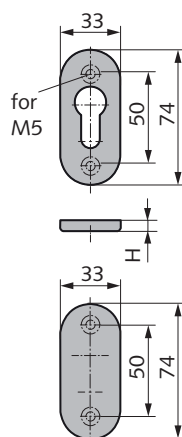
- on backplate with cams
- screw fitting with or without expanding cams
- certified to EN 1906, user category 4, 200.000 cycles
- no thread

with drill protection

Part#	Material/finish
02.265.0302.112	Al E4/C-0 silver anod.
02.265.0302.255	Al RAL 9016 powder coat
02.265.0302.263	Al RAL 8077 powder coat
02.265.0302.426	304 matt brushed

with drill protection and cylinder cover

Part#	Material/finish
02.265.0392.112	Al E4/C-0 silver anod.
02.265.0392.255	Al RAL 9016 powder coat
02.265.0392.263	Al RAL 8077 powder coat
02.265.0392.426	304 matt brushed



WSS clip escutcheon

PC escutcheon

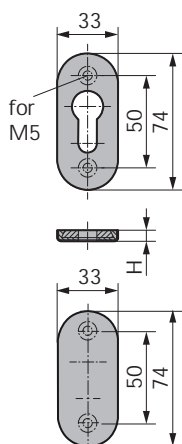
Part#	Height	Material/finish
02.310.0161.112	6	Al E4/C-0 silver anod.
02.310.0161.255	6	Al RAL 9016 powder coat
02.310.0161.426	6	304 matt brushed
02.310.0171.112	7	Al E4/C-0 silver anod.
02.310.0171.255	7	Al RAL 9016 powder coat
02.310.0171.426	7	304 matt brushed
02.310.0191.112	9	Al E4/C-0 silver anod.
02.310.0191.255	9	Al RAL 9016 powder coat
02.310.0191.426	9	304 matt brushed

blank escutcheon

Part#	Height	Material/finish
02.310.0162.112	6	Al E4/C-0 silver anod.
02.310.0162.255	6	Al RAL 9016 powder coat
02.310.0162.426	6	304 matt brushed
02.310.0172.112	7	Al E4/C-0 silver anod.
02.310.0172.255	7	Al RAL 9016 powder coat
02.310.0172.426	7	304 matt brushed
02.310.0192.112	9	Al E4/C-0 silver anod.
02.310.0192.255	9	Al RAL 9016 powder coat
02.310.0192.426	9	304 matt brushed

KABA

Part#	Height	Material/finish
02.310.0163.112	6	Al E4/C-0 silver anod.
02.310.0163.255	6	Al RAL 9016 powder coat
02.310.0163.426	6	304 matt brushed
02.310.0173.112	7	Al E4/C-0 silver anod.
02.310.0173.255	7	Al RAL 9016 powder coat
02.310.0173.426	7	304 matt brushed
02.310.0193.112	9	Al E4/C-0 silver anod.
02.310.0193.255	9	Al RAL 9016 powder coat
02.310.0193.426	9	304 matt brushed



WSS safety escutcheon

PC escutcheon

Part#	Height	Material/finish
02.318.0161.112	6	Al E4/C-0 silver anod.
02.318.0161.255	6	Al RAL 9016 powder coat
02.318.0161.426	6	304 matt brushed
02.318.0171.112	7	Al E4/C-0 silver anod.
02.318.0171.255	7	Al RAL 9016 powder coat
02.318.0171.426	7	304 matt brushed
02.318.0191.112	9	Al E4/C-0 silver anod.
02.318.0191.255	9	Al RAL 9016 powder coat
02.318.0191.426	9	304 matt brushed
02.318.0141.112	14	Al E4/C-0 silver anod.
02.318.0141.255	14	Al RAL 9016 powder coat
02.318.0141.426	14	304 matt brushed

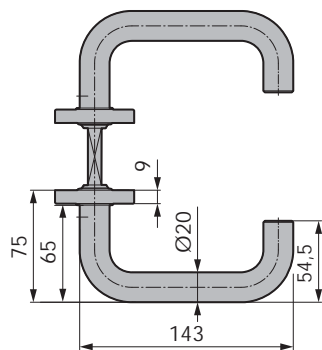
blank escutcheon

Part#	Height	Material/finish
02.318.0162.112	6	Al E4/C-0 silver anod.
02.318.0162.255	6	Al RAL 9016 powder coat
02.318.0162.426	6	304 matt brushed
02.318.0172.112	7	Al E4/C-0 silver anod.
02.318.0172.255	7	Al RAL 9016 powder coat
02.318.0172.426	7	304 matt brushed
02.318.0192.112	9	Al E4/C-0 silver anod.
02.318.0192.255	9	Al RAL 9016 powder coat
02.318.0192.426	9	304 matt brushed
02.318.0142.112	14	Al E4/C-0 silver anod.
02.318.0142.255	14	Al RAL 9016 powder coat
02.318.0142.426	14	304 matt brushed

KABA

Part#	Height	Material/finish
02.318.0163.112	6	Al E4/C-0 silver anod.
02.318.0163.255	6	Al RAL 9016 powder coat
02.318.0163.426	6	304 matt brushed
02.318.0173.112	7	Al E4/C-0 silver anod.
02.318.0173.255	7	Al RAL 9016 powder coat
02.318.0173.426	7	304 matt brushed
02.318.0193.112	9	Al E4/C-0 silver anod.
02.318.0193.255	9	Al RAL 9016 powder coat
02.318.0193.426	9	304 matt brushed
02.318.0143.112	14	Al E4/C-0 silver anod.
02.318.0143.255	14	Al RAL 9016 powder coat
02.318.0143.426	14	304 matt brushed

Handles

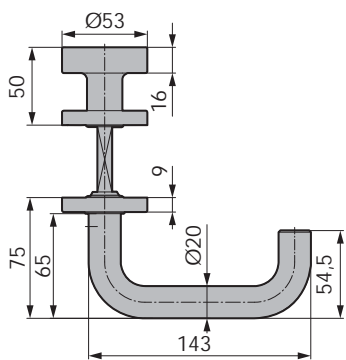


WSS door handle fitting

- fixed backplate in maintenance-free glide bearing with steel substructure
- with cover escutcheons for concealed screws
- with fixing screws
- with full pin
- for fire protection doors to comply with DIN 18273 (9 mm square)
- door thickness 38-63 mm



Part#	Square	Classification	Material/finish
02.501.8310.426	8	—	304 matt brushed
02.501.9310.112	9	FS	Al E4/C-0 silver anod.
02.501.9310.426	9	FS	304 matt brushed

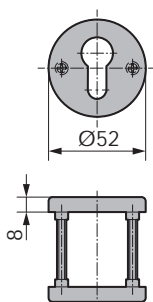


WSS handle set

- fixed backplate in maintenance-free glide bearing with steel substructure
- with cover escutcheons for concealed screws
- with fixing screws
- with full pin
- for fire protection doors to comply with DIN 18273 (9 mm square)
- door thickness 38-63 mm



Part#	Square	Classification	Material/finish
02.502.8415.112	8	—	Al E4/C-0 silver anod.
02.502.8415.426	8	—	304 matt brushed
02.502.9415.112	9	FS	Al E4/C-0 silver anod.
02.502.9415.426	9	FS	304 matt brushed

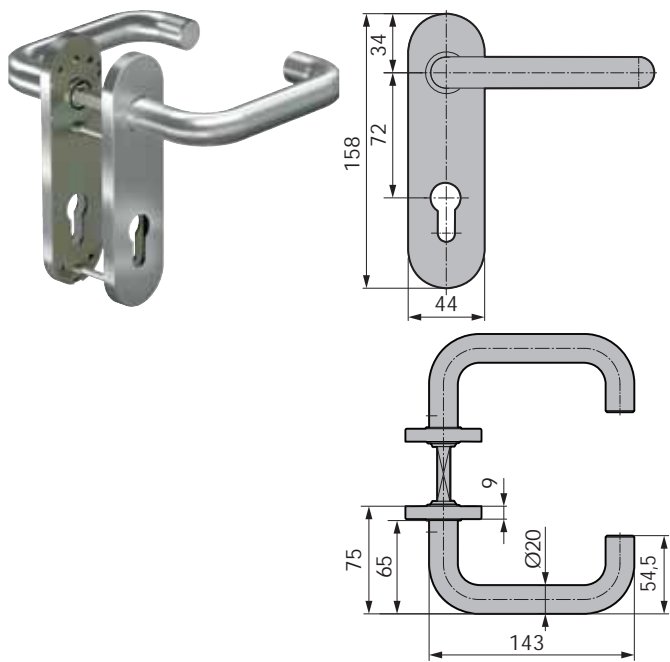


PC escutcheon

- for fire protection doors to comply with DIN 18273
- steel substructure with cover escutcheon with concealed screws
- with fixing screws
- door thickness 38-63 mm



Part#	Material/finish
02.438.0580.112	Al E4/C-0 silver anod.
02.438.0580.426	304 matt brushed

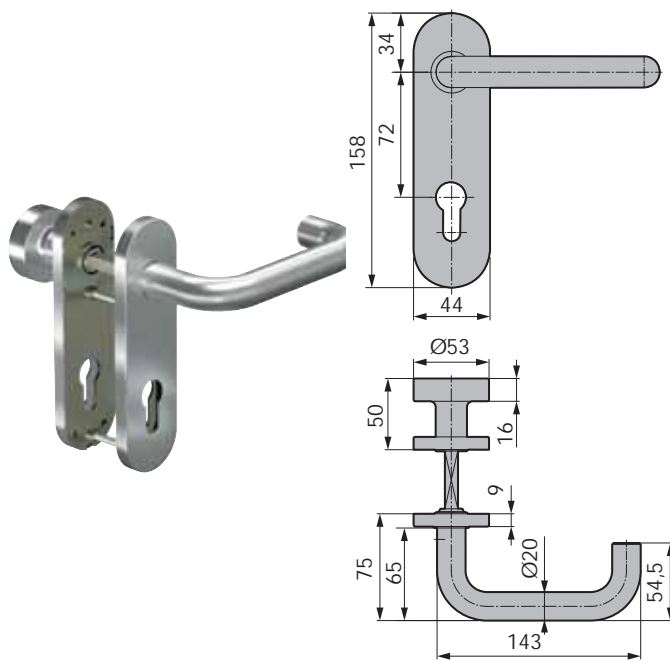


WSS door handle fitting

- fixed backplate in maintenance-free glide bearing with steel substructure
- with cover panels for concealed screws
- with fixing screws
- with full pin
- for fire protection doors to comply with DIN 18273 (9 mm square)
- door thickness 38-63 mm



Part#	Square	Classification	Material/finish
02.501.8415.112	8	—	Al E4/C-0 silver anod.
02.501.8415.426	8	—	304 matt brushed
02.501.9415.112	9	FS	Al E4/C-0 silver anod.
02.501.9415.426	9	FS	304 matt brushed

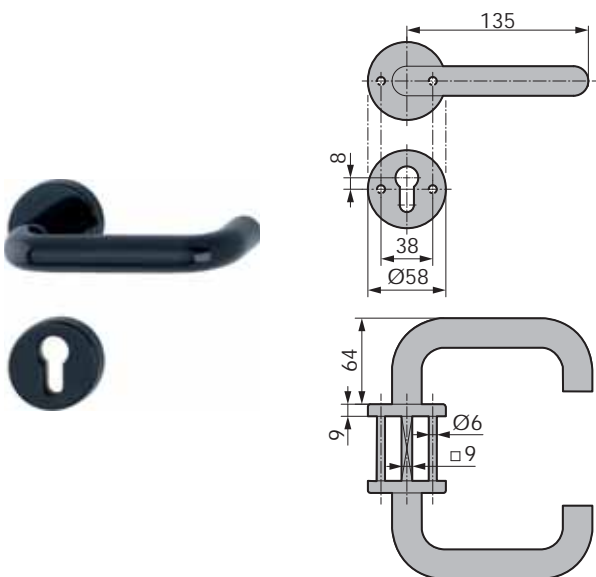


WSS handle set

- fixed backplate in maintenance-free glide bearing with steel substructure
- with cover panels for concealed screws
- with fixing screws
- with full pin
- for fire protection doors to comply with DIN 18273 (9 mm square)
- door thickness 38-63 mm



Part#	Square	Classification	Material/finish
02.502.8310.112	8	—	Al E4/C-0 silver anod.
02.502.8310.426	8	—	304 matt brushed
02.502.9310.112	9	FS	Al E4/C-0 silver anod.
02.502.9310.426	9	FS	304 matt brushed



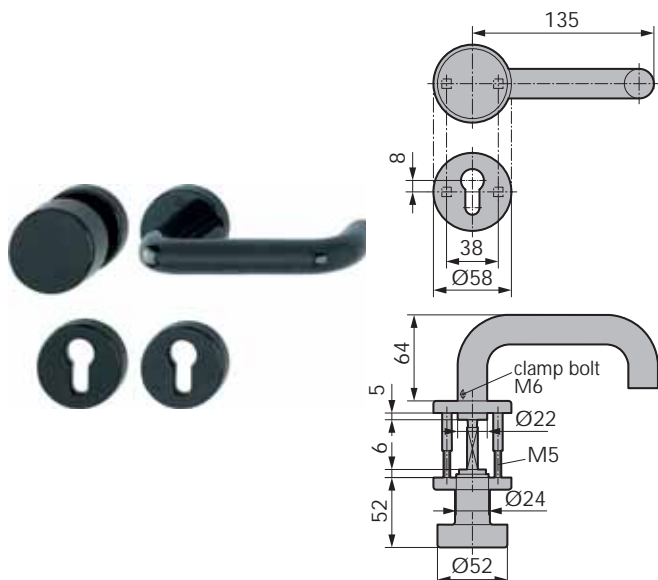
WSS plasticdoor handle fitting



- with steel core
- with full pin
- fixed backplate in maintenance-free glide bearing with steel substructure
- with black plastic cover escutcheons for concealed screws
- with fixing screws
- for fire protection doors to comply with DIN 18273

Part#	Square	Door thickness	Material/finish
02.478.2545.565	9	45-65	Plastic black

Accessories:
Split panic square pin (item no. 02.858.2114.010) see page 39

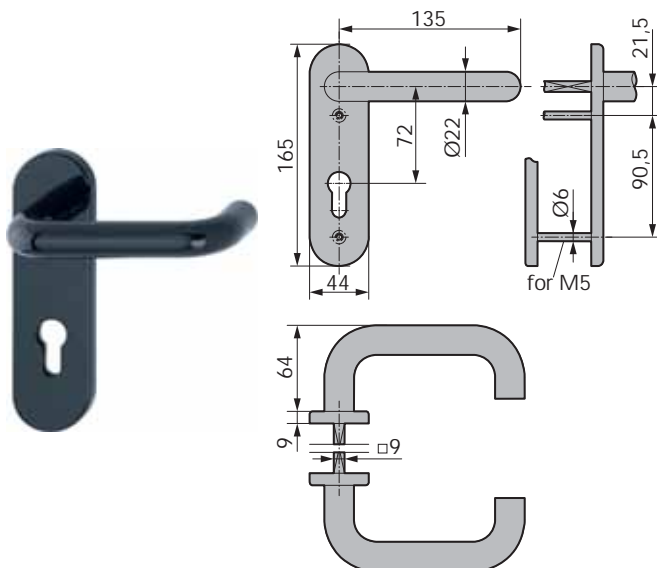


WSS plasticdoor handle fitting



- with steel core
- fixed backplate in maintenance-free glide bearing with steel substructure
- with black plastic cover escutcheons for concealed screws
- with fixing screws
- for fire protection doors to comply with DIN 18273

Part#	Square	Door thickness	Material/finish
02.480.2545.565	9	45-65	Plastic black



WSS plasticdoor handle fitting



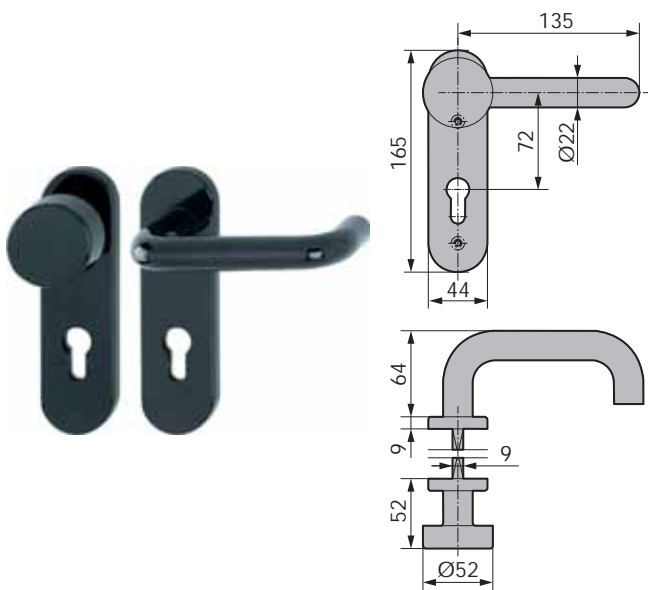
- with steel core
- fixed backplate in maintenance-free glide bearing with steel substructure, distance 72 mm for PC
- with black plastic cover panels for concealed screws
- with fixing screws
- for fire protection doors to comply with DIN 18273

Full pin

Part#	Square	Door thickness	Material/finish
02.470.2345.565	9	45-65	Plastic black

Panic square pin

Part#	Square	Door thickness	Material/finish
02.470.3345.565	9	45-65	Plastic black



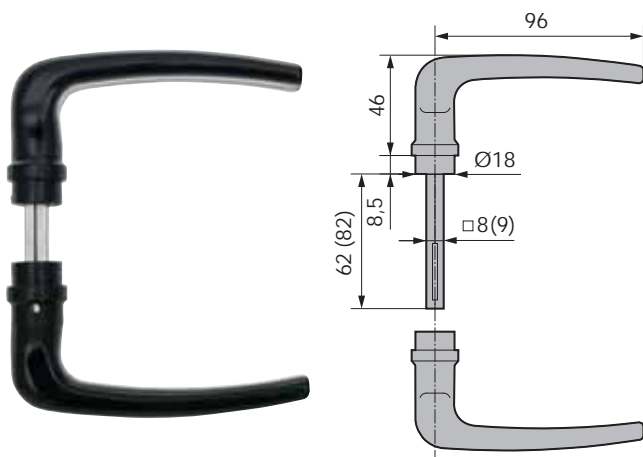
WSS plastichandle set



- with steel core
- fixed backplate in maintenance-free glide bearing with steel substructure, distance 72 mm for PC
- with black plastic cover panels for concealed screws
- with fixing screws
- for fire protection doors to comply with DIN 18273

Part#	Square	Door thickness	Material/finish
02.474.2345.565	9	45-65	Plastic black

Handles



Building door handles

- with 8 or 9 mm split pin
- as a pair

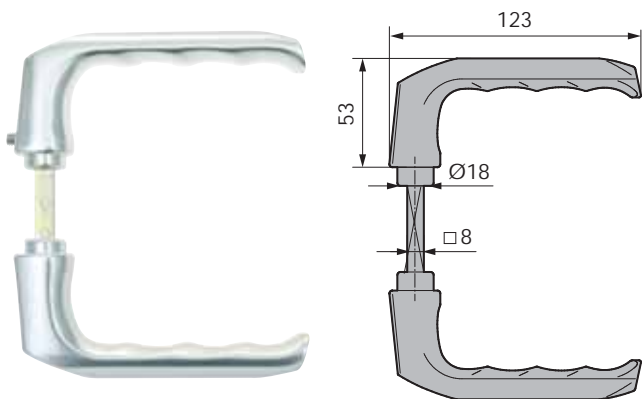
Part#	Square	Material/finish
02.490.1000.565	8	Plastic black
02.490.2000.565	9	Plastic black



Plastic handle guide, black

- 18,2 mm hole diameter

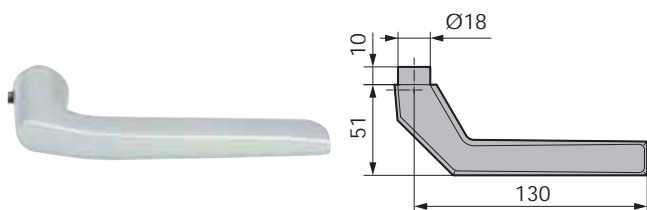
Part#	Material/finish
K0020508	Plastic black



Door handle, L-shape, offset

- with 8 mm square hole
- as a pair

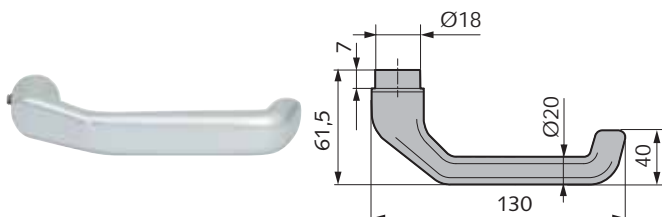
Part#	Square	Door thickness	Material/finish
02.603.0000.112	8	40	Al E4/C-0 silver anod.
02.603.0001.112	8	60	Al E4/C-0 silver anod.



Door handle, L-shape, offset

- with 8 mm square hole, as hole component

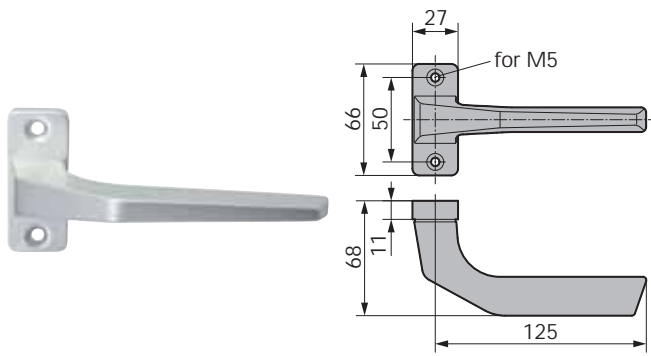
Part#	Square	Material/finish
02.602.0000.112	8	Al E4/C-0 silver anod.



Door handle, U-shape, offset

- with 8 mm square hole, as hole component

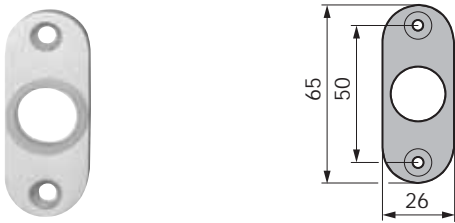
Part#	Square	Material/finish
50032537	8	Al E4/C-0 silver anod.



WSS door handle, L-shape, offset

- with 8 mm square hole
- with visible screw holes

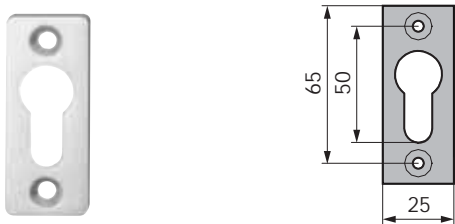
Part#	Square	Returning m.	Material/finish
02.112.1200.112	8	√	Al E4/C-0 silver anod.
02.112.1200.255	8	√	Al RAL 9016 powder coat



Door handle escutcheon

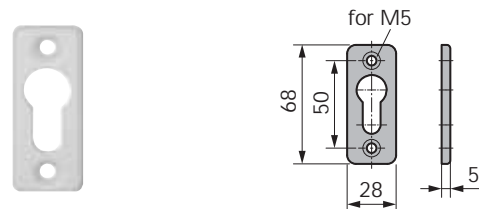
- with plastic guide to fit door handles with 18 mm guide diameter

Part#	Design	Material/finish
50009094	oval	Al E4/C-0 silver anod.
50013678	angular	Al E4/C-0 silver anod.



PC escutcheon

Part#	Design	Material/finish
50009095	oval	Al E4/C-0 silver anod.
50013679	angular	Al E4/C-0 silver anod.



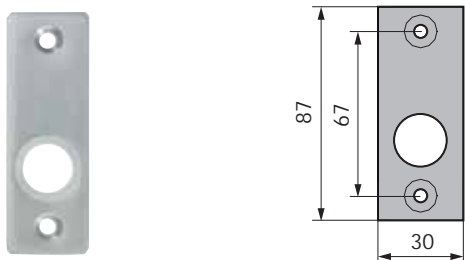
WSS escutcheon

- PC perforation
- with visible screw holes

Part#	Height	Material/finish
02.376.0250.114	5	Al E6/C-0 silver anod.
02.376.0250.255	5	Al RAL 9016 powder coat

no illustration

no illustration



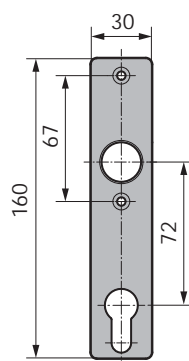
Skeleton key escutcheon

Part#	Design	Material/finish
50022055	oval	Al E4/C-0 silver anod.
50030604	angular	Al E4/C-0 silver anod.

Door handle escutcheon

- with plastic guide to fit door handles with 18 mm guide diameter

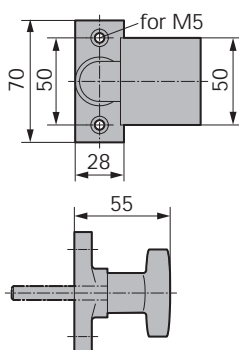
Part#	Material/finish
02.725.0200.112	Al E4/C-0 silver anod.



Short plate with PC perforations

- with plastic guide to fit door handles with 18 mm guide diameter

Part#	Material/finish
50014332	Al E4/C-0 silver anod.



WSS flat door knob, offset

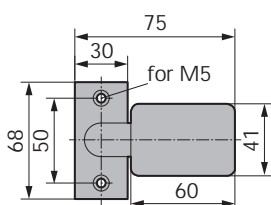
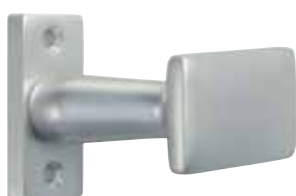
- with 8 mm square hole
- no thread on fixed mounted knobs

fixed mounted

Part#	Square	Material/finish
02.264.0200.112	—	Al E4/C-0 silver anod.
02.264.0200.255	—	Al RAL 9016 powder coat

fixed backplate

Part#	Square	Material/finish
02.264.1200.112	8	Al E4/C-0 silver anod.
02.264.1200.255	8	Al RAL 9016 powder coat



Flat door knob, offset on escutcheon

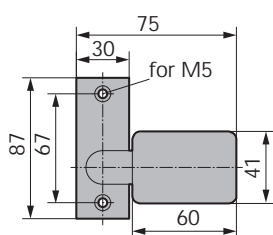
- with 8 mm square hole
- no thread on fixed mounted knobs
- on angular escutcheon

fixed mounted

Part#	Square	Material/finish
02.740.0200.112	—	Al E4/C-0 silver anod.

fixed backplate

Part#	Square	Material/finish
02.740.8200.112	8	Al E4/C-0 silver anod.



Flat door knob, offset on escutcheon

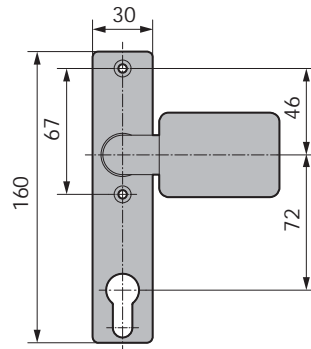
- with 8 mm square hole
- on angular escutcheon
- no thread

fixed mounted

Part#	Square	Material/finish
02.612.0000.112	—	Al E4/C-0 silver anod.

fixed backplate

Part#	Square	Material/finish
02.612.0001.112	8	Al E4/C-0 silver anod.



Flat door knob, offset on short plate

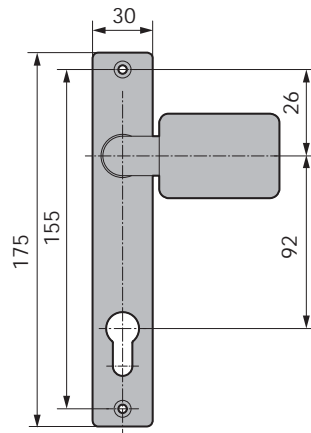
- with 8 mm square hole
- no thread on fixed mounted knobs

fixed mounted

Part#	Square	Material/finish
02.614.0000.112	—	Al E4/C-0 silver anod.

fixed backplate

Part#	Square	Material/finish
02.614.0001.112	8	Al E4/C-0 silver anod.



Flat door knob, offset on backplate

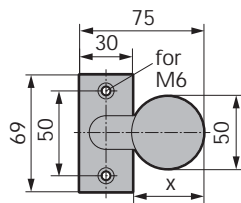
- with 8 mm square hole
- no thread on fixed mounted knobs

fixed mounted

Part#	Square	Material/finish
02.746.0716.112	—	Al E4/C-0 silver anod.

fixed backplate

Part#	Square	Material/finish
02.746.8200.112	8	Al E4/C-0 silver anod.



Ball shape door knob, offset on escutcheon

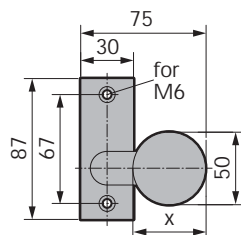
- with 8 mm square hole
- no thread on fixed mounted knobs

fixed mounted

Part#	Square	Material/finish
02.750.0200.112	—	Al E4/C-0 silver anod.

fixed backplate

Part#	Square	Material/finish
02.750.8200.112	8	Al E4/C-0 silver anod.



Ball shape door knob, offset on escutcheon

- with 8 mm square hole
- no thread on fixed mounted knobs

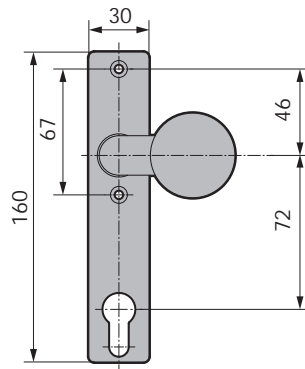
fixed mounted

Part#	Square	Material/finish
02.752.0200.112	—	Al E4/C-0 silver anod.

fixed backplate

Part#	Square	Material/finish
02.752.8200.112	8	Al E4/C-0 silver anod.

Handles



Ball shape door knob, offset on short plate

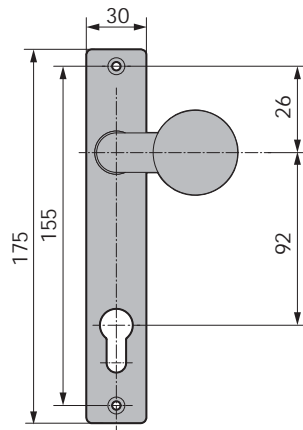
- with 8 mm square hole
- no thread on fixed mounted knobs

fixed mounted

Part#	Square	Material/finish
02.754.0515.112	—	Al E4/C-0 silver anod.

fixed backplate

Part#	Square	Material/finish
02.754.8200.112	8	Al E4/C-0 silver anod.



Ball shape door knob, offset on back plate

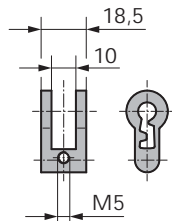
- with 8 mm square hole
- no thread on fixed mounted knobs

fixed mounted

Part#	Square	Material/finish
02.756.0716.112	—	Al E4/C-0 silver anod.

fixed backplate

Part#	Square	Material/finish
02.756.8200.112	8	Al E4/C-0 silver anod.



Skeleton key insert

- die-cast insert
- fixing screw M5 x 80mm

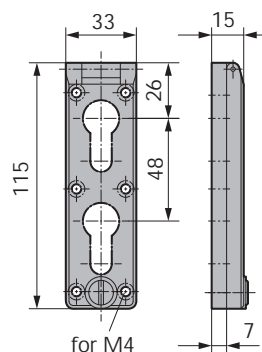
Part#	Material/finish
01.840.0000.705	Zinc cast raw



Skeleton key

- to match skeleton key insert

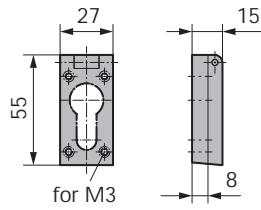
Part#	Material/finish
01.841.0000.025	St matt nickel plated



WSS rain protection escutcheon with cover

- for locks with two overlapping PC perforations
- with latch
- 7 mm material thickness

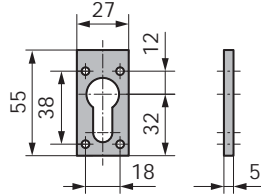
Part#	Height	Material/finish
02.712.0270.570	7	Plastic grey



WSS rain protection escutcheon with cover

- PC perforations

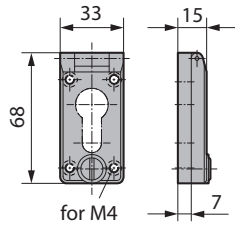
Part#	Height	Material/finish
02.380.0280.112	8	Al E4/C-0 silver anod.



WSS base plate for rain protection escutcheon

- to match rain protection escutcheon 02.380.0280.112

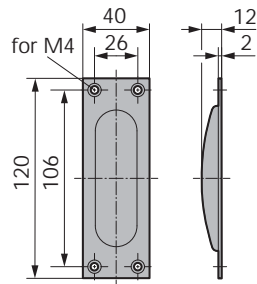
Part#	Height	Material/finish
02.382.0250.114	5	Al E6/C-0 silver anod.



WSS rain protection escutcheon with latch

- PC perforation
- with cover

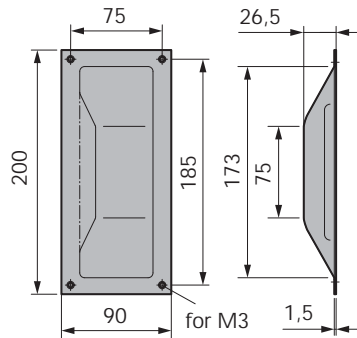
Part#	Height	Material/finish
02.384.0270.565	7	Plastic black
02.384.0270.570	7	Plastic grey



WSS shell grip

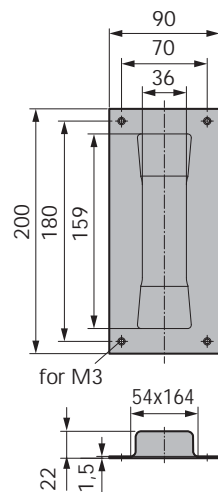
- material thickness 1,5 mm
- embossed

Part#	Material/finish
02.748.0201.426	304 matt brushed



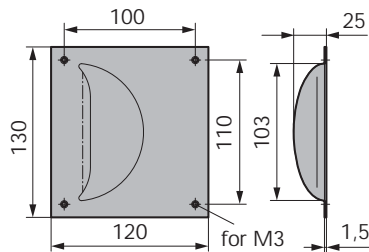
WSS shell grip

Part#	Material/finish
02.756.0200.010	St galvanized
02.756.0200.112	Al E4/C-0 silver anod.
50027962	Al silver powder coat
50034484	304 matt brushed



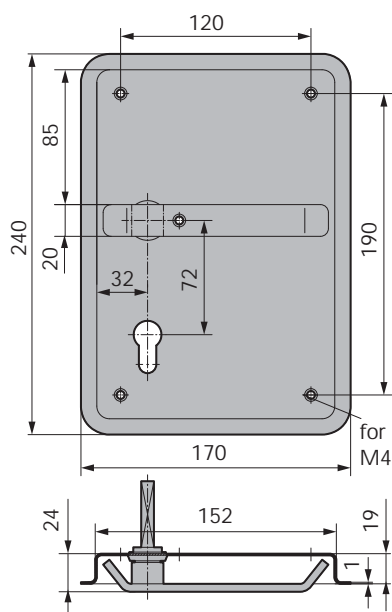
WSS shell grip

Part#	Material/finish
02.758.0200.010	St galvanized
02.758.0200.112	Al E4/C-0 silver anod.
50023460	Al silver powder coat
02.758.0200.426	304 matt brushed



WSS shell grip

Part#	Material/finish
02.762.0200.010	St galvanized
02.762.0200.112	Al E4/C-0 silver anod.
50023644	Al silver powder coat
50014147	304 matt brushed



WSS sports hall door handle

■ tool steel 1.4571/V4A

72 mm distance, PC

Part#	Square	Direction	Material/finish
02.778.1200.428	8	right	316 matt brushed
02.778.2200.428	9	right	316 matt brushed
02.779.1200.428	8	left	316 matt brushed
02.779.2200.428	9	left	316 matt brushed

92 mm distance, PC

Part#	Square	Direction	Material/finish
02.780.1200.428	8	right	316 matt brushed
02.780.2200.428	9	right	316 matt brushed
02.781.1200.428	8	left	316 matt brushed
02.781.2200.428	9	left	316 matt brushed

blank

Part#	Square	Direction	Material/finish
02.780.1202.428	8	right	316 matt brushed
02.780.2202.428	9	right	316 matt brushed
02.781.1202.428	8	left	316 matt brushed
02.781.2202.428	9	left	316 matt brushed

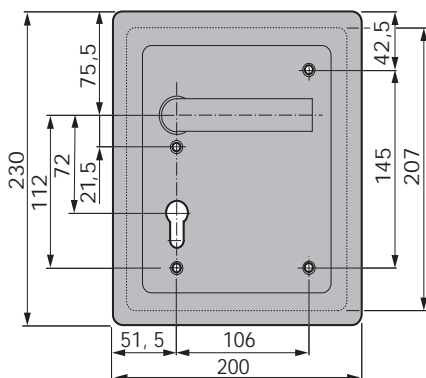


OGRO sports hall fitting

- tool steel 1.4301/V2A
- 72 mm distance
- PC

short plate on opposite side

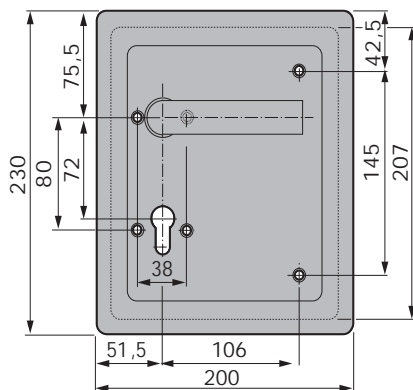
Part#	Square	Direction	Material/finish
02.785.8815.426	8	right	304 matt brushed
02.785.9815.426	9	right	304 matt brushed
02.786.8815.426	8	left	304 matt brushed
02.786.9815.426	9	left	304 matt brushed



OGRO 8937A

short plate on opposite side

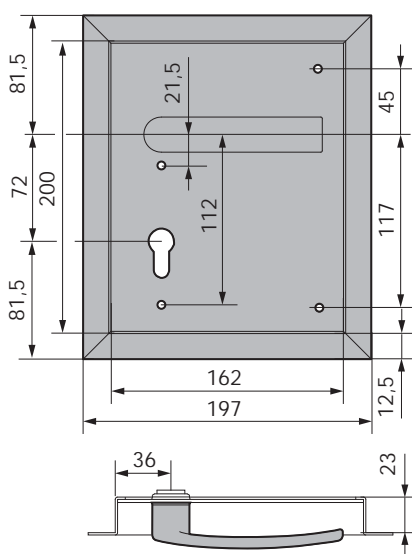
Part#	Square	Direction	Material/finish
02.787.8815.426	8	right	304 matt brushed
50009032	9	right	304 matt brushed
02.788.8815.426	8	left	304 matt brushed
50013062	9	left	304 matt brushed



OGRO 8937B



FSB model 77 7949



FSB sports hall door handle

- tool steel 1.4301/V2A

72 mm distance, PC

Part#	Square	Direction	Material/finish
02.851.8815.426	8	right	304 matt brushed
02.851.9815.426	9	right	304 matt brushed
02.853.8815.426	8	left	304 matt brushed
02.853.9815.426	9	left	304 matt brushed

92 mm distance, PC

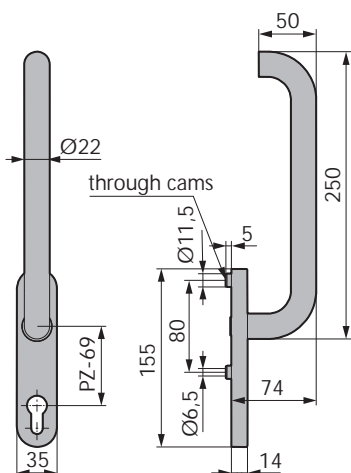
Part#	Square	Direction	Material/finish
02.851.8816.426	8	right	304 matt brushed
02.851.9816.426	9	right	304 matt brushed
02.853.8816.426	8	left	304 matt brushed
02.853.9816.426	9	left	304 matt brushed

blank

Part#	Square	Direction	Material/finish
02.851.8830.426	8	right	304 matt brushed
02.851.9830.426	9	right	304 matt brushed
02.853.8830.426	8	left	304 matt brushed
02.853.9830.426	9	left	304 matt brushed



Model 202XL/450



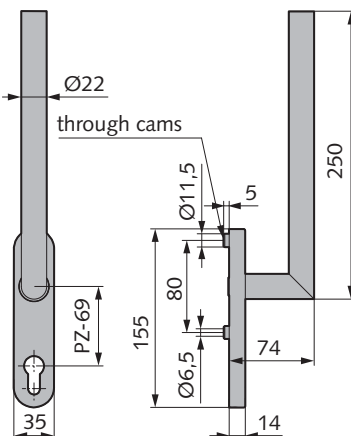
Lift-up sliding door handle U-shape

- fixed backplate
- hidden screws
- with through cams and M6 x 80 screws or with M6 threaded cams

Part#	Returning m.	Perforation	Material/finish
02.900.0000.426	✓	PC	304 matt brushed
02.900.0001.426	✓	KABA	304 matt brushed
02.900.0002.426	✓	blank	304 matt brushed



Model 203XXL/450



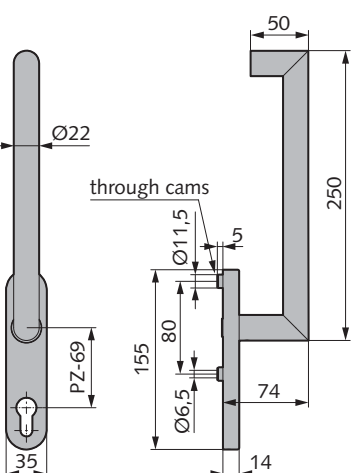
Lift-up sliding door handle L-shape

- fixed backplate
- hidden screws
- with or without through cams or threaded cams and M5 screws

Part#	Square	Returning m.	Perforation	Material/finish
02.901.0000.426	10	✓	PC	304 matt brushed
02.901.0001.426	10	✓	KABA	304 matt brushed
02.901.0002.426	10	✓	blank	304 matt brushed



Model 224XL/450



Lift-up sliding door handle, U-shape mitred

- fixed backplate
- hidden screws
- with through cams and M6 x 80 screws or with M6 threaded cams

Part#	Square	Returning m.	Perforation	Material/finish
02.902.0000.426	10	✓	PC	304 matt brushed
02.902.0001.426	10	✓	KABA	304 matt brushed
02.902.0002.426	10	✓	blank	304 matt brushed

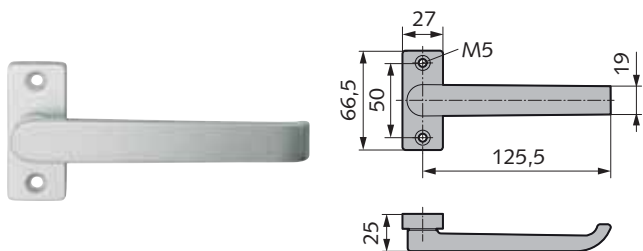


Model 450

Shell grip for lift-up sliding door handle

- hidden fixing
- M5 threaded cams

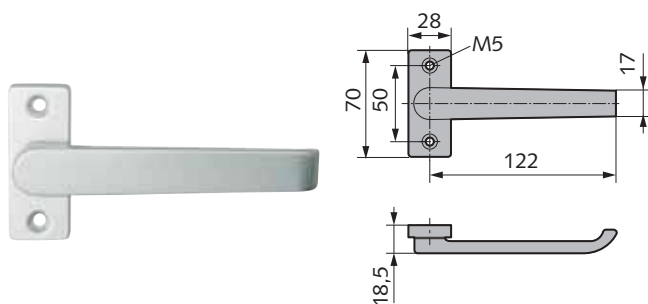
Part#	Material/finish
02.905.0000.426	304 matt brushed
02.905.0001.426	304 matt brushed
02.905.0002.426	304 matt brushed



Coupé door handle

- with 8 mm square hole
- total height 25 mm

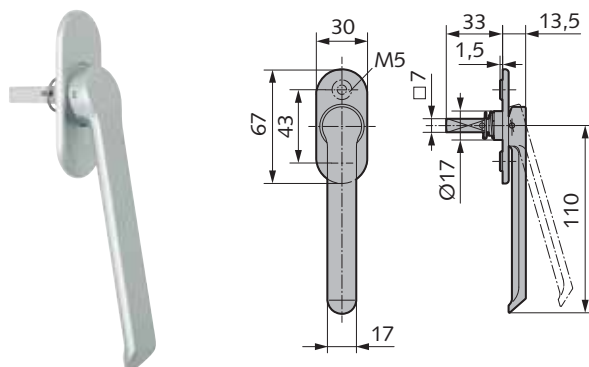
Part#	Square	Material/finish
02.242.1225.112	8	Al E4/C-0 silver anod.
02.242.1225.255	8	Al RAL 9016 powder coat



Coupé door handle

- with 8 mm square hole
- total height 18,5 mm

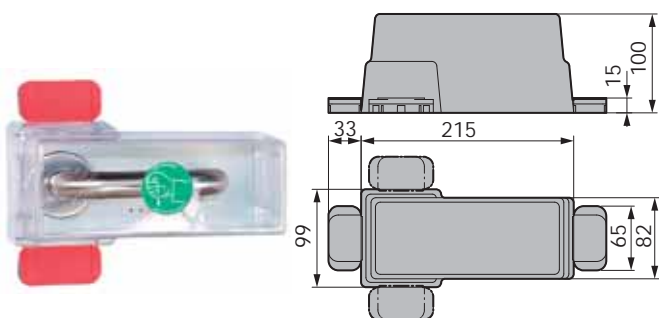
Part#	Square	Material/finish
02.244.1218.112	8	Al E4/C-0 silver anod.
02.244.1218.255	8	Al RAL 9016 powder coat



Folding door handle

- swivel-mounted

Part#	Square	Material/finish
02.246.1213.112	7	Al E4/C-0 silver anod.
02.246.1213.255	7	Al RAL 9016 powder coat



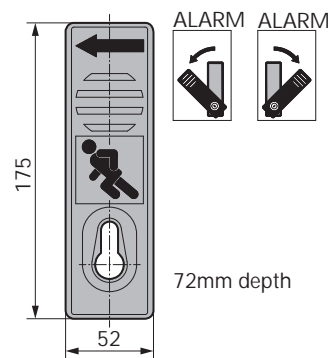
Emergency door cap model K

- to secure door handles
- made of non-breakable macrolon plastic (cap can be reused)
- Set comprises:
 - 1 cap
 - 2 fixing brackets
 - 3 end terminals
 - 2 green fixing plates
 - 6 red seal plates
 - 1 pictogram in green

Part#	Material/finish
02.720.0000.505	Plastic natural

Note:

The cap can be affixed in four different ways, so it can be used as required for each door handle. The cap can thus be affixed to the door in the best possible way. Ensure there is sufficient space to install the fastening clips.



Door guard, swivel-mounted

- to protect emergency exits
- designed for single-profile cylinders
- operational right and left
- housing painted in RAL 6029 green
- buzzer with 95 dB / 1 m
- with 9V battery / no electrical installation

Part#

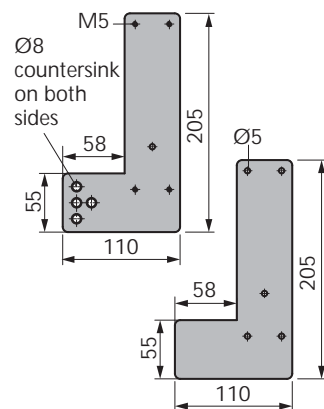
05.850.0000.000

Note:

The door guard is installed below the door handle to protect against operation and thus secures the door handle or latch bolt. Door can only be opened by pulling the lever towards either direction, indicated by the arrow sign.

Pictograms on the door and door guard itself indicate the operational lever direction. The lever will lock into the open position, left or right, while activating an acoustic alarm as an indication for possible unauthorized access. The alarm can be turned off by key only and pulling the lever to it's originally centered position.

Permanent opening option of the door w/o activating the alarm, such as day use function, can be set by key and a 180° turn, which assures the authorized operation only.

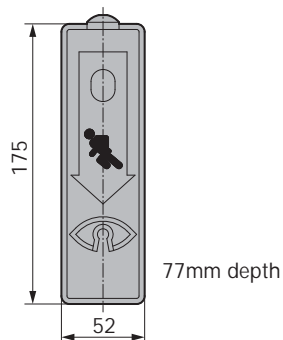


Assembly plate for door guard

- for installation on tubular-frame doors
- can be used on the left and right
- concealed fixings
- painted in RAL 6029 green

Part#

05.851.0000.000



One-handed door guard, slides downwards

- one-handed use
- to protect emergency exits
- door guard slides downwards
- with built-in profile cylinder, individual keys
- housing painted in RAL 6029 green
- buzzer with 95 dB / 1 m
- with 9V battery / no electrical installation

Part#

05.860.0000.000

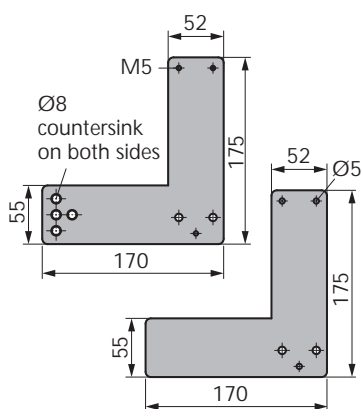
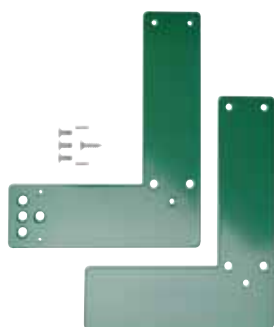
Note:

When locked, the one-handed door guard monitors the door handle. The door can be opened with one hand in an emergency. By pushing the door handle down, the one-handed door guard moves vertically downwards and releases the door handle. A permanent acoustic signal will be activated at the same time. The alarm can be turned off by key only and pulling the lever to its originally centered position.

Permanent opening option of the door w/o activating the alarm, such as day use function, can be set by key and a 180° turn, which assures the authorized operation only.

This means:

The door can be opened with one hand in the case of danger but the alarm indicates possible unauthorised use.



Assembly plate for one-handed door guard

- for installation on tubular-frame doors
- concealed fixings
- painted in RAL 6029 green

Part#

05.861.0000.000

Index

Part#	Page	Part#	Page	Part#	Page	Part#	Page	Part#	Page
01.840.0000.705	51	02.160.1100.255	37	02.184.2101.113	24	02.251.9616.113	26	02.270.0101.112	38
01.841.0000.025	51	02.160.1100.426	37	02.184.2101.426	24	02.251.9616.426	26	02.270.0101.426	38
02.100.1100.112	9	02.160.2100.112	37	02.186.1100.113	22	02.251.9686.113	27	02.280.0100.113	24
02.100.1100.255	9	02.160.2100.255	37	02.186.1100.426	22	02.251.9686.426	27	02.280.0101.113	24
02.100.1100.426	9	02.160.2100.426	37	02.186.2100.113	22	02.252.0100.112	10	02.280.0101.426	24
02.100.1301.112	14	02.161.1100.426	37	02.186.2100.426	22	02.252.0100.255	10	02.280.1100.113	24
02.100.1301.255	14	02.161.2100.426	37	02.186.2101.113	22	02.252.0100.426	10	02.280.1100.426	24
02.100.1301.426	14	02.167.1100.113	22	02.186.2101.426	22	02.252.0101.112	10	02.280.2100.113	24
02.100.1302.112	14	02.167.1100.426	22	02.188.1100.113	21	02.252.0101.255	10	02.280.2100.426	24
02.100.1302.255	14	02.167.2100.113	22	02.188.1100.426	21	02.252.0101.426	10	02.282.0102.113	24
02.100.1302.426	14	02.167.2100.426	22	02.188.2100.113	21	02.252.0302.112	17	02.282.0103.113	24
02.102.1100.112	9	02.167.2101.113	22	02.188.2100.426	21	02.252.0302.255	17	02.282.0103.426	24
02.102.1100.255	9	02.167.2101.426	22	02.188.2101.113	21	02.252.0302.426	17	02.282.1101.113	24
02.102.1100.426	9	02.169.1100.113	23	02.188.2101.426	21	02.252.0303.112	17	02.282.1101.426	24
02.102.1301.112	15	02.169.1100.426	23	02.204.1100.113	21	02.252.0303.255	17	02.282.2101.113	24
02.102.1301.255	15	02.169.2100.113	23	02.204.1100.426	21	02.252.0303.426	17	02.282.2101.426	24
02.102.1301.426	15	02.169.2100.426	23	02.204.2100.113	21	02.257.0110.112	32	02.284.0100.113	25
02.102.1302.112	15	02.169.2101.113	23	02.204.2100.426	21	02.257.0110.426	32	02.284.0101.113	25
02.102.1302.255	15	02.169.2101.426	23	02.204.2101.113	21	02.257.0111.112	32	02.284.0101.426	25
02.102.1302.426	15	02.171.1100.112	39	02.204.2101.426	21	02.257.1110.112	32	02.284.1100.113	25
02.106.1100.112	9	02.171.1100.255	39	02.212.1100.113	23	02.257.1110.426	32	02.284.1100.426	25
02.106.1100.255	9	02.171.1100.426	39	02.212.1100.426	23	02.257.2111.112	32	02.284.2100.113	25
02.106.1100.426	9	02.171.1301.112	39	02.212.2100.113	23	02.257.2111.426	32	02.284.2100.426	25
02.112.1200.112	48	02.171.1301.255	39	02.212.2100.426	23	02.260.0110.112	32	02.286.0102.426	25
02.112.1200.255	48	02.171.1301.263	39	02.212.2101.113	23	02.260.0110.426	32	02.286.1101.426	25
02.114.1100.112	9	02.171.1301.426	39	02.212.2101.426	23	02.260.0111.112	32	02.287.0101.113	25
02.114.1100.255	9	02.171.1302.112	40	02.242.1225.112	58	02.260.0111.426	32	02.287.0102.113	25
02.114.1100.426	9	02.171.1302.255	40	02.242.1225.255	58	02.260.1110.112	32	02.287.1101.113	25
02.122.1101.112	30	02.171.1302.263	40	02.244.1218.112	58	02.260.1110.426	32	02.287.2100.113	25
02.122.1101.255	30	02.171.1302.426	40	02.244.1218.255	58	02.260.2110.112	32	02.287.2100.426	25
02.122.1101.426	30	02.171.1392.112	40	02.246.1213.112	58	02.260.2110.426	32	02.310.0161.112	11,41
02.122.1110.112	30	02.171.1392.255	40	02.246.1213.255	58	02.262.0110.112	31	02.310.0161.255	11,41
02.122.1110.255	30	02.171.1392.263	40	02.250.0100.112	10	02.262.0110.426	31	02.310.0161.426	11,41
02.122.1110.426	30	02.171.1392.426	40	02.250.0100.255	10	02.262.0111.112	31	02.310.0162.112	11,41
02.122.2110.112	30	02.174.1100.113	22	02.250.0100.426	10	02.262.0111.426	31	02.310.0162.255	11,41
02.122.2110.255	30	02.174.1100.426	22	02.250.0101.112	10	02.262.1110.112	31	02.310.0162.426	11,41
02.122.2110.426	30	02.174.2100.113	22	02.250.0101.255	10	02.262.1110.426	31	02.310.0163.112	11,41
02.124.1101.112	29	02.174.2100.426	22	02.250.0101.426	10	02.262.2110.112	31	02.310.0163.255	11,41
02.124.1101.255	29	02.174.2101.113	22	02.250.0302.112	16	02.262.2110.426	31	02.310.0163.426	11,41
02.124.1101.426	29	02.174.2101.426	22	02.250.0302.255	16	02.264.0200.112	49	02.310.0171.112	11,41
02.124.1110.112	29	02.180.1100.113	21	02.250.0302.426	16	02.264.0200.255	49	02.310.0171.255	11,41
02.124.1110.255	29	02.180.1100.426	21	02.250.0303.112	16	02.264.1200.112	49	02.310.0171.426	11,41
02.124.1110.426	29	02.180.2100.113	21	02.250.0303.255	16	02.264.1200.255	49	02.310.0172.112	11,41
02.124.2110.112	29	02.180.2100.426	21	02.250.0303.426	16	02.265.0100.112	39	02.310.0172.255	11,41
02.124.2110.255	29	02.180.2101.113	21	02.250.8616.113	26	02.265.0100.255	39	02.310.0172.426	11,41
02.124.2110.426	29	02.180.2101.426	21	02.250.8616.426	26	02.265.0100.426	39	02.310.0173.112	11,41
02.128.1101.112	29	02.182.1100.113	23	02.250.8686.113	27	02.265.0302.112	40	02.310.0173.255	11,41
02.128.1101.255	29	02.182.1100.426	23	02.250.8686.426	27	02.265.0302.255	40	02.310.0173.426	11,41
02.128.1101.426	29	02.182.2100.113	23	02.250.9616.113	26	02.265.0302.263	40	02.310.0191.112	11,41
02.128.1110.112	29	02.182.2100.426	23	02.250.9616.426	26	02.265.0302.426	40	02.310.0191.255	11,41
02.128.1110.255	29	02.182.2101.113	23	02.250.9686.113	27	02.265.0392.112	40	02.310.0191.426	11,41
02.128.1110.426	29	02.182.2101.426	23	02.250.9686.426	27	02.265.0392.255	40	02.310.0192.112	11,41
02.128.2110.112	29	02.184.1100.113	24	02.251.8616.113	26	02.265.0392.263	40	02.310.0192.255	11,41
02.128.2110.255	29	02.184.1100.426	24	02.251.8616.426	26	02.265.0392.426	40	02.310.0192.426	11,41
02.128.2110.426	29	02.184.2100.113	24	02.251.8686.113	27	02.270.0100.112	38	02.310.0193.112	11,41
02.160.1100.112	37	02.184.2100.426	24	02.251.8686.426	27	02.270.0100.426	38	02.310.0193.255	11,41

Part#	Page	Part#	Page	Part#	Page	Part#	Page	Part#	Page
02.310.0193.426	11,41	02.326.0114.255	13	02.363.0110.426	35	02.502.9415.426	43	02.781.2200.428	54
02.310.8100.112	30	02.326.0114.426	13	02.370.0121.114	13	02.602.0000.112	47	02.781.2202.428	54
02.310.8100.255	30	02.330.0110.255	32	02.370.0121.255	13	02.603.0000.112	47	02.785.8815.426	55
02.310.8100.426	30	02.330.0111.112	32	02.370.0121.426	13	02.603.0001.112	47	02.785.9815.426	55
02.310.9100.112	30	02.330.0111.426	32	02.370.0181.114	13	02.612.0000.112	49	02.786.8815.426	55
02.310.9100.255	30	02.332.0113.112	32	02.370.0181.255	13	02.612.0001.112	49	02.786.9815.426	55
02.310.9100.426	30	02.332.0113.255	32	02.370.0181.426	13	02.614.0000.112	50	02.787.8815.426	55
02.310.9107.112	30	02.332.0113.426	32	02.376.0250.114	48	02.614.0001.112	50	02.788.8815.426	55
02.310.9107.255	30	02.340.0180.112	38	02.376.0250.255	48	02.650.1302.112	14	02.820.1060.010	7,18
02.310.9107.426	30	02.340.0180.255	38	02.380.0280.112	52	02.650.1302.255	14	02.820.1070.010	7,18
02.311.8100.112	31	02.340.0180.426	38	02.381.8097.010	36	02.650.1302.426	14	02.820.1130.010	7
02.311.8100.255	31	02.340.0181.112	38	02.381.8110.010	36	02.651.1302.112	15	02.820.1140.010	7,18
02.311.8100.426	31	02.340.0181.255	38	02.382.0250.114	52	02.651.1302.255	15	02.820.1150.010	7,18
02.311.9100.112	31	02.340.0181.426	38	02.383.8090.010	36	02.651.1302.426	15	02.820.1160.010	7,18
02.311.9100.255	31	02.341.8100.112	33	02.383.8105.010	36	02.654.0302.112	16	02.822.2060.010	18
02.311.9100.426	31	02.341.8100.426	33	02.384.0270.565	52	02.654.0302.255	16	02.822.2080.010	18
02.311.9107.112	31	02.341.9100.112	33	02.384.0270.570	52	02.654.0302.426	16	02.822.2100.010	18
02.311.9107.255	31	02.341.9100.426	33	02.385.9097.010	36	02.654.0303.112	16	02.822.2110.010	18
02.311.9107.426	31	02.341.9107.112	33	02.385.9110.010	36	02.654.0303.255	16	02.822.2120.010	18
02.318.0141.112	12,42	02.341.9107.426	33	02.386.0220.565	20	02.654.0303.426	16	02.822.2130.010	18
02.318.0141.255	12,42	02.343.9107.112	33	02.386.0220.570	20	02.655.0302.112	17	02.822.2150.010	18
02.318.0141.426	12,42	02.343.9107.426	33	02.386.0250.565	20	02.655.0302.255	17	02.822.2160.010	18
02.318.0142.112	12,42	02.344.8100.112	33	02.386.0250.570	20	02.655.0302.426	17	02.822.2170.010	18
02.318.0142.255	12,42	02.344.8100.426	33	02.387.9090.010	36	02.655.0303.112	17	02.822.2180.010	18
02.318.0142.426	12,42	02.344.9100.112	33	02.387.9105.010	36	02.655.0303.255	17	02.824.1070.010	19
02.318.0143.112	12,42	02.344.9100.426	33	02.402.8100.112	37	02.655.0303.426	17	02.826.1110.010	18
02.318.0143.255	12,42	02.344.9107.112	33	02.402.8100.255	37	02.712.0270.570	51	02.826.1120.010	18
02.318.0143.426	12,42	02.344.9107.426	33	02.402.9100.112	37	02.720.0000.505	58	02.826.1130.010	18
02.318.0161.112	12,42	02.345.8100.112	35	02.402.9100.255	37	02.725.0200.112	48	02.826.1140.010	18
02.318.0161.255	12,42	02.345.8100.426	35	02.403.8100.426	37	02.740.0200.112	49	02.830.2110.010	18
02.318.0161.426	12,42	02.345.9100.112	35	02.403.9100.426	37	02.740.8200.112	49	02.830.2120.010	18
02.318.0162.112	12,42	02.345.9100.426	35	02.404.8100.112	37	02.746.0716.112	50	02.830.2130.010	18
02.318.0162.255	12,42	02.345.9107.112	35	02.404.8100.426	37	02.746.8200.112	50	02.830.2140.010	18
02.318.0162.426	12,42	02.345.9107.426	35	02.404.9100.112	37	02.748.0201.426	53	02.832.1125.012	38
02.318.0163.112	12,42	02.346.8100.112	34	02.404.9100.426	37	02.750.0200.112	50	02.832.1135.012	38
02.318.0163.255	12,42	02.346.8100.426	34	02.411.0000.426	13	02.750.8200.112	50	02.834.2125.012	38
02.318.0163.426	12,42	02.346.9100.112	34	02.438.0580.112	43	02.752.0200.112	50	02.834.2135.012	38
02.318.0171.112	12,42	02.346.9100.426	34	02.438.0580.426	43	02.752.8200.112	50	02.834.2145.012	38
02.318.0171.255	12,42	02.346.9107.112	34	02.470.2345.565	45	02.754.0515.112	51	02.834.2165.012	38
02.318.0171.426	12,42	02.346.9107.426	34	02.470.3345.565	45	02.754.8200.112	51	02.836.2090.010	19
02.318.0172.112	12,42	02.347.8100.112	34	02.474.2345.565	46	02.756.0200.010	53	02.836.2160.010	19
02.318.0172.255	12,42	02.347.8100.426	34	02.478.2545.565	45	02.756.0200.112	53	02.836.4090.010	19
02.318.0172.426	12,42	02.347.9100.112	34	02.480.2545.565	45	02.756.0716.112	51	02.836.4160.010	19
02.318.0173.112	12,42	02.347.9100.426	34	02.490.1000.565	47	02.756.8200.112	51	02.840.2100.010	18
02.318.0173.255	12,42	02.347.9107.112	34	02.490.2000.565	47	02.758.0200.010	53	02.840.2130.010	18
02.318.0173.426	12,42	02.347.9107.426	34	02.501.8310.426	43	02.758.0200.112	53	02.840.2135.010	18
02.318.0191.112	12,42	02.348.8100.112	34	02.501.8415.112	44	02.758.0200.426	53	02.840.2140.010	18
02.318.0191.255	12,42	02.348.8100.426	34	02.501.8415.426	44	02.762.0200.010	53	02.840.2150.010	18
02.318.0191.426	12,42	02.348.9100.112	34	02.501.9310.112	43	02.762.0200.112	53	02.840.2165.010	18
02.318.0192.112	12,42	02.348.9100.426	34	02.501.9310.426	43	02.778.1200.428	54	02.840.4100.010	18
02.318.0192.255	12,42	02.348.9107.112	34	02.501.9415.112	44	02.778.2200.428	54	02.840.4130.010	18
02.318.0192.426	12,42	02.348.9107.426	34	02.501.9415.426	44	02.779.1200.428	54	02.840.4150.010	18
02.318.0193.112	12,42	02.350.0170.113	26	02.502.8310.112	44	02.779.2200.428	54	02.840.4160.010	18
02.318.0193.255	12,42	02.350.0170.426	26	02.502.8310.426	44	02.780.1200.428	54	02.840.6130.010	18
02.318.0193.426	12,42	02.350.0171.113	26	02.502.8415.112	43	02.780.1202.428	54	02.842.1090.010	19
02.324.0111.112	13	02.350.0171.426	26	02.502.8415.426	43	02.780.2200.428	54	02.842.1110.010	19
02.324.0111.255	13	02.361.0100.112	35	02.502.9310.112	44	02.780.2202.428	54	02.842.1120.010	19
02.324.0111.426	13	02.361.0100.426	35	02.502.9310.426	44	02.781.1200.428	54	02.842.1130.010	19
02.326.0114.112	13	02.363.0110.112	35	02.502.9415.112	43	02.781.1202.428	54	02.842.1140.010	19

Handles

Part#	Page	Part#	Page	Part#	Page
02.842.2110.010	19	02.900.9160.010	27	50012491	4
02.842.2120.010	19	02.901.0000.426	57	50012577	5
02.842.2130.010	19	02.901.0001.426	57	50012619	7
02.842.2140.010	19	02.901.0002.426	57	50012682	7
02.846.1060.010	19	02.901.9105.010	28	50012683	5
02.846.1074.010	19	02.901.9112.010	28	50013062	55
02.846.1080.010	19	02.901.9119.010	28	50013287	5
02.846.1100.010	19	02.901.9126.010	28	50013678	48
02.846.2060.010	19	02.901.9133.010	28	50013679	48
02.851.8815.426	56	02.901.9140.010	28	50013833	5
02.851.8816.426	56	02.901.9147.010	28	50013923	4
02.851.8830.426	56	02.901.9154.010	28	50013924	4
02.851.9815.426	56	02.902.0000.426	57	50013926	6
02.851.9816.426	56	02.902.0001.426	57	50014005	6
02.851.9830.426	56	02.902.0002.426	57	50014147	53
02.852.2105.010	20	02.902.8084.010	28	50014332	49
02.852.2120.010	20	02.902.8095.010	28	50014360	6
02.852.2135.010	20	02.902.8105.010	28	50014366	5
02.853.4545.010	19	02.902.8115.010	28	50014494	6
02.853.5555.010	19	02.902.8125.010	28	50014986	8
02.853.6565.010	19	02.902.8135.010	28	50015290	7
02.853.8815.426	56	02.902.8145.010	28	50015464	8
02.853.8816.426	56	02.902.9085.010	28	50015481	5
02.853.8830.426	56	02.902.9090.010	28	50015524	6
02.853.9815.426	56	02.902.9095.010	28	50016006	4
02.853.9816.426	56	02.902.9100.010	28	50016129	5
02.853.9830.426	56	02.902.9105.010	28	50016951	7
02.854.2135.010	19	02.902.9110.010	28	50016952	7
02.854.2155.010	19	02.902.9115.010	28	50016953	7
02.856.2135.010	20	02.902.9120.010	28	50016954	8
02.858.2114.010	38	02.902.9125.010	28	50016955	7
02.858.2134.010	38	02.902.9130.010	28	50016959	7
02.870.0089.010	8,20	02.902.9135.010	28	50016960	8
02.870.0810.010	20	02.905.0000.426	57	50017313	18
02.870.0910.010	20	02.905.0001.426	57	50017568	26
02.900.0000.426	57	02.905.0002.426	57	50018297	39
02.900.0001.426	57	05.850.0000.000	59	50018115	6
02.900.0002.426	57	05.851.0000.000	59	50018185	5
02.900.8060.010	27	05.860.0000.000	60	50018298	39
02.900.8070.010	27	05.861.0000.000	60	50019008	8
02.900.8080.010	27	50003700	33	50019268	5
02.900.8090.010	27	50003701	33	50020110	8
02.900.8100.010	27	50003702	33	50020511	8
02.900.8110.010	27	50003703	33	50021151	6
02.900.8120.010	27	50009032	55	50021183	4
02.900.8130.010	27	50009094	48	50022055	48
02.900.8140.010	27	50009095	48	50023460	53
02.900.8150.010	27	50010596	6	50023644	53
02.900.8160.010	27	50010754	7	50023660	6
02.900.9060.010	27	50010755	4	50027962	53
02.900.9070.010	27	50010780	7	50030603	6
02.900.9080.010	27	50010795	5	50030604	48
02.900.9090.010	27	50011056	5	50031102	26
02.900.9100.010	27	50012072	4	50032537	47
02.900.9110.010	27	50012073	4	50034484	53
02.900.9120.010	27	50012074	6	K0020508	47
02.900.9130.010	27	50012105	4	K0048527	20
02.900.9140.010	27	50012341	5	K0057609	19
02.900.9150.010	27	50012416	6	K0100362	20



Wilh. Schlechtendahl & Söhne
GmbH & Co. KG

Hauptstraße 18–32
42579 Heiligenhaus
Germany

Tel: +49 (0) 20 56/17-0
Fax: +49 (0) 20 56/51 42

wss@wss.de
www.wss.de

Legal Venue 42579 Heiligenhaus,
District Court Wuppertal, HRA 20804

Managing Directors: Guido Lücker, Robin Fasel

VAT ID No.: DE 121546484
Tax no.: 13957280071

All images, product, dimensions and design details are related to the date of publishing. We reserve the right to changes in the interests of technical progress and further developments. No liability for printing errors or other technical mistakes. No legal claims of whatever kind can be derived from the use of our documents. Reprints of this document, even in part, require our written approval.

Express reference is made to our general terms and conditions of business, available at www.wss.de.